

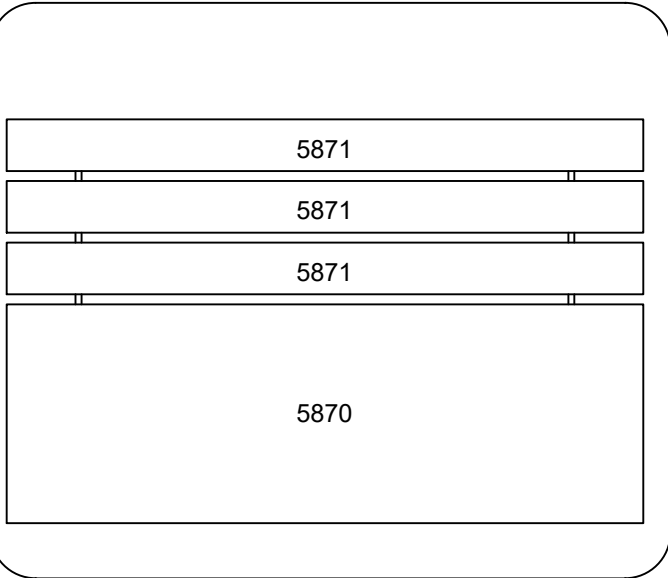
## HUGA SERIES

### 180 CM BEDSTEAD


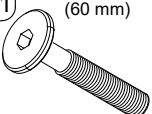
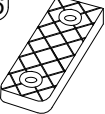

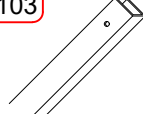
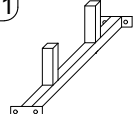
PRODUCT CODE 32 TRZ-HUGA  
0012-


PACKING CODE

1. ST-HUGA 180LK KARYOLA 1-(3)
2. ST-HUGA 180LK KARYOLA 2-(3)
3. ST-HUGA 180LK KARYOLA 3-(3)



### ATTACHMENTS

NAME	AGAINIST CYLINDER EXTRACTION	CYLINDRICAL PICKING PART	BASE PAPER	3.5*25 SCREW For Iron	CONNECT IRON	MANNESMAN
SHAPE	422 	221 (60 mm) 	036 	164 	103 	221 
TOTAL	8	8	4 (ON PRODUCT)	18	2	3

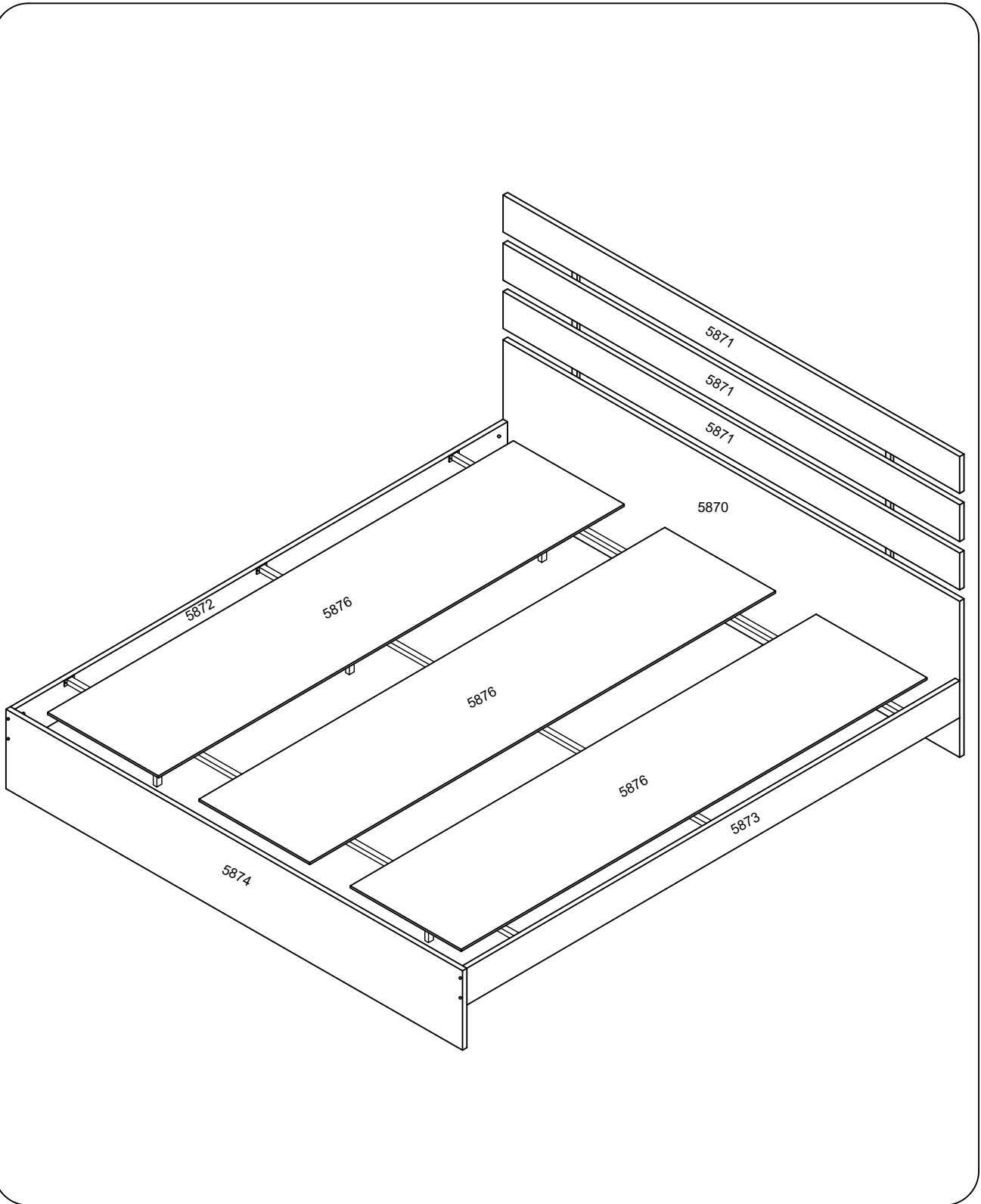
NAME	3.5*18 SCREW FOR MANNESMAN					
SHAPE	161 					
TOTAL	14					

NAME						
SHAPE						
TOTAL						

NAME						
SHAPE						
TOTAL						

NAME						
SHAPE						
TOTAL						

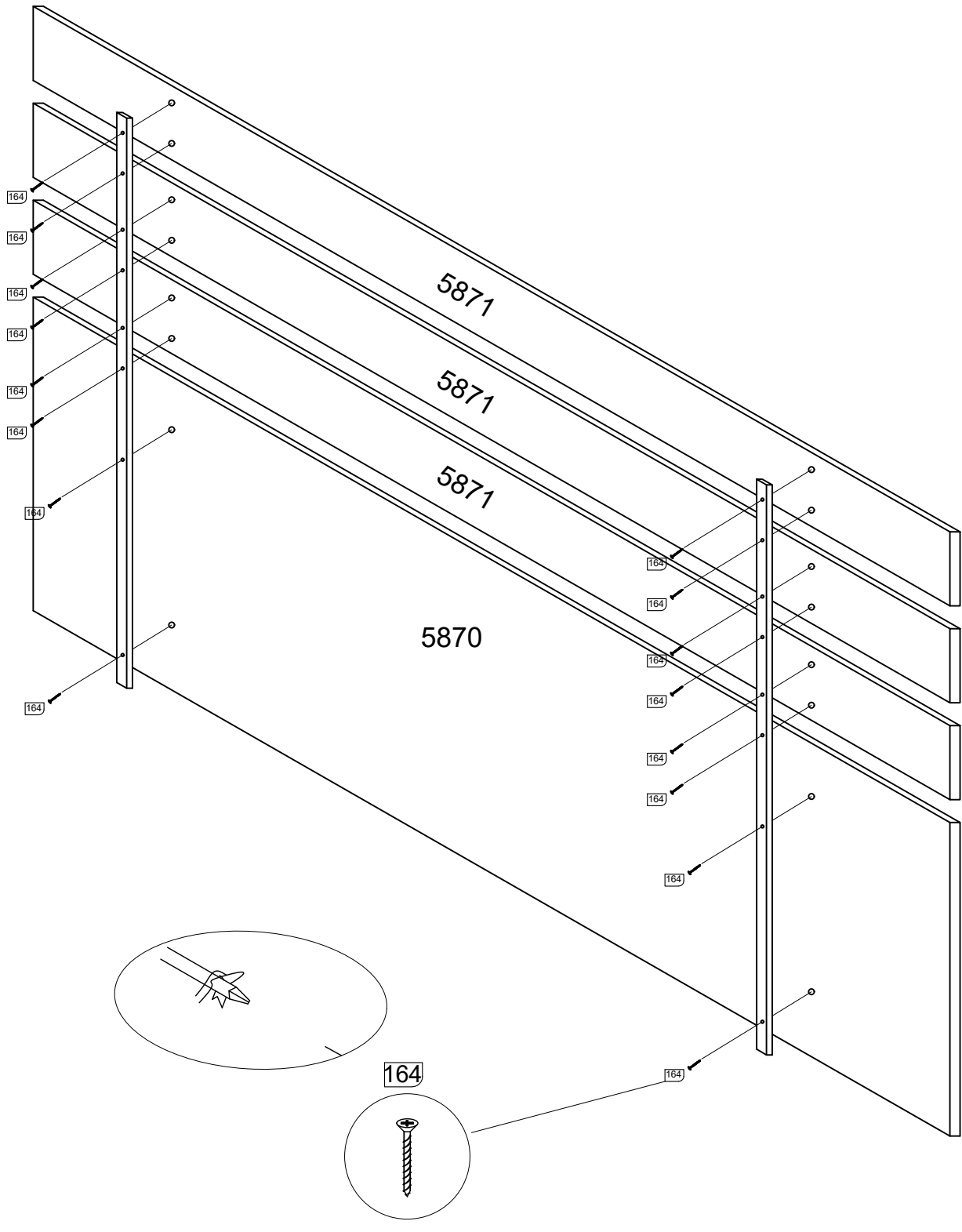
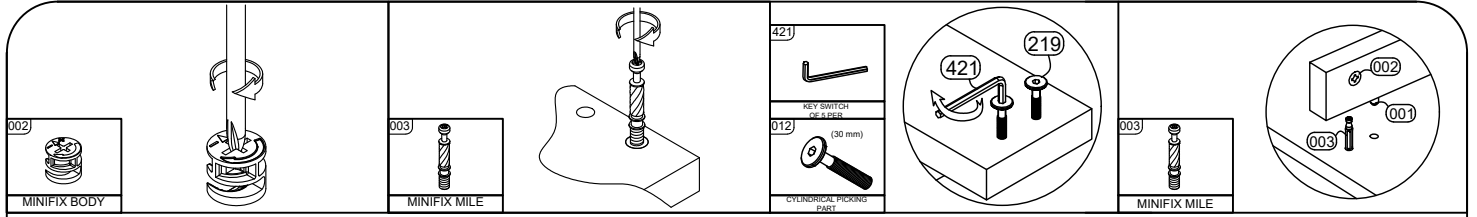
## 180 CM BEDSTEAD



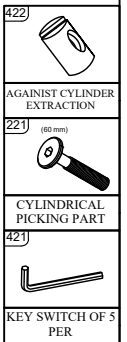
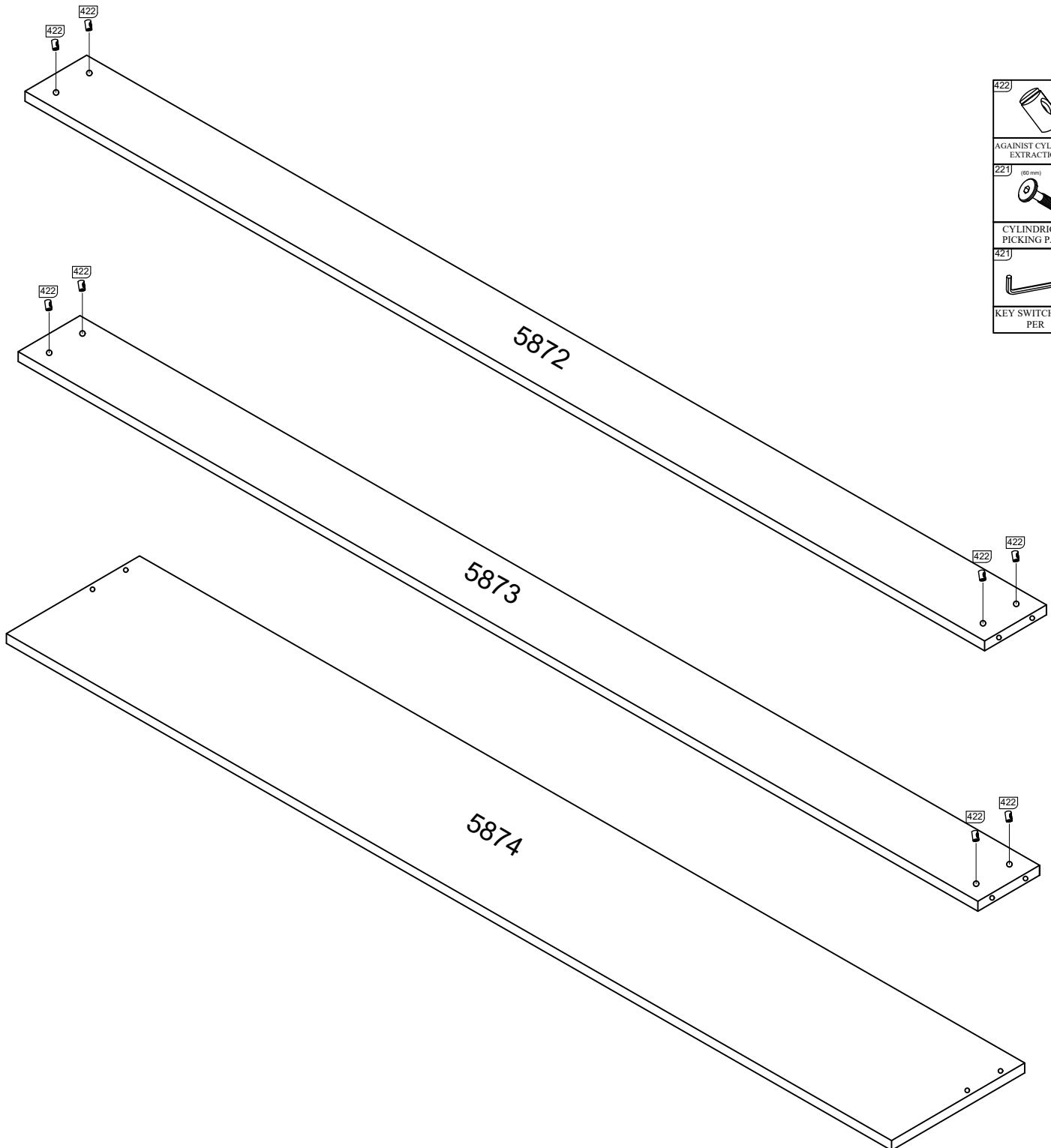
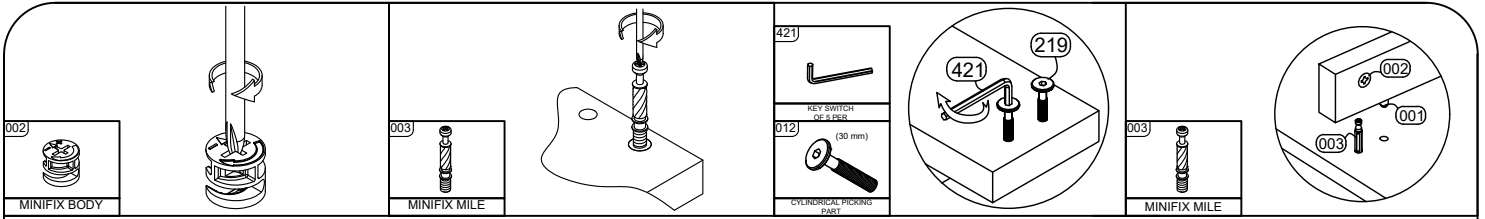
COMPONENT		
CODE	NAME	TOTAL
5870	LOWER PANEL	1
5871	TOP PANEL	3
5872	LEFT TRAVERSE PANEL	1

COMPONENT		
CODE	NAME	TOTAL
5873	RIGHT TRAVERSE PANEL	1
5874	FOOT TIP PANEL	1
5876	BED LOWERPANEL	3

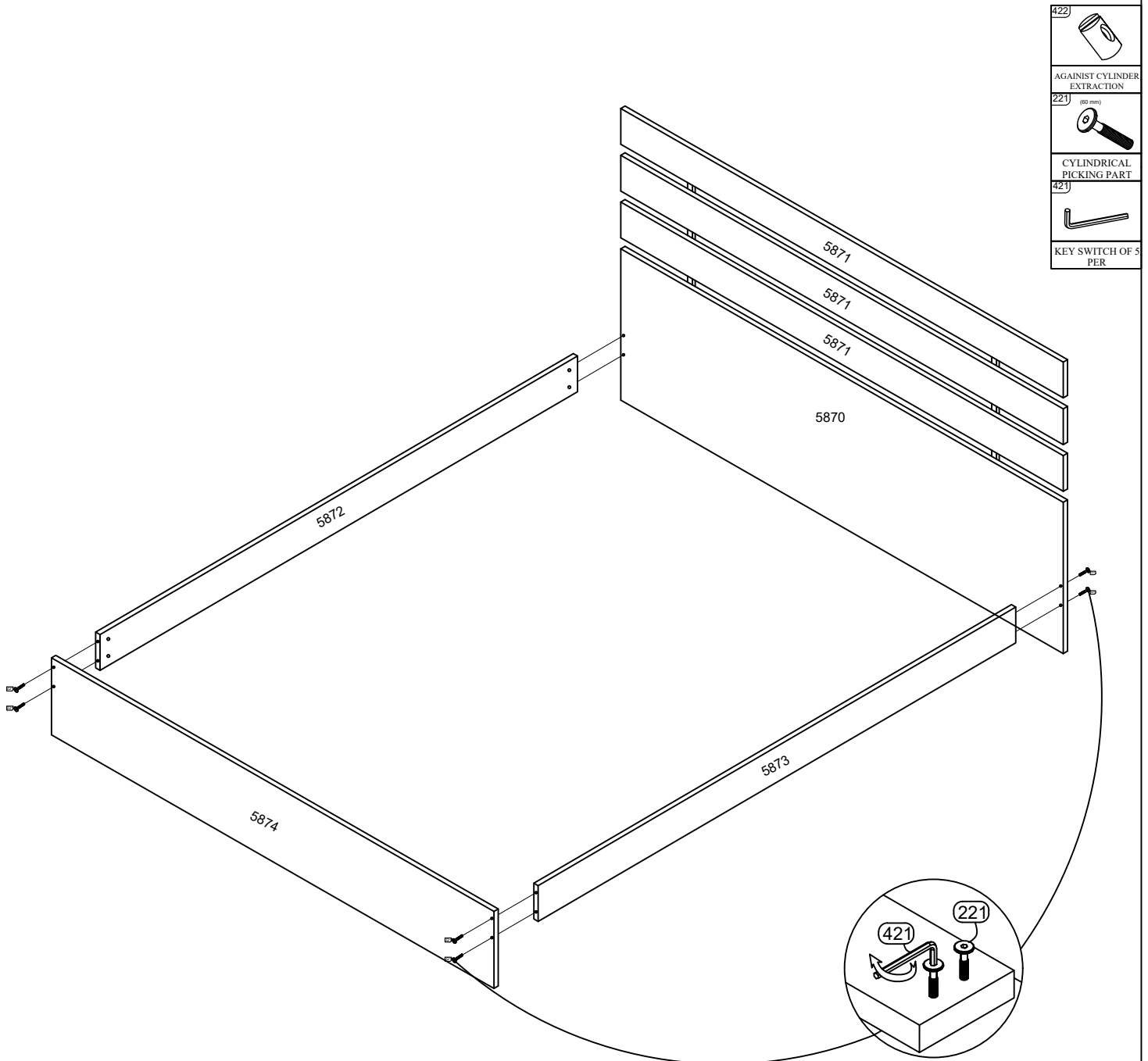
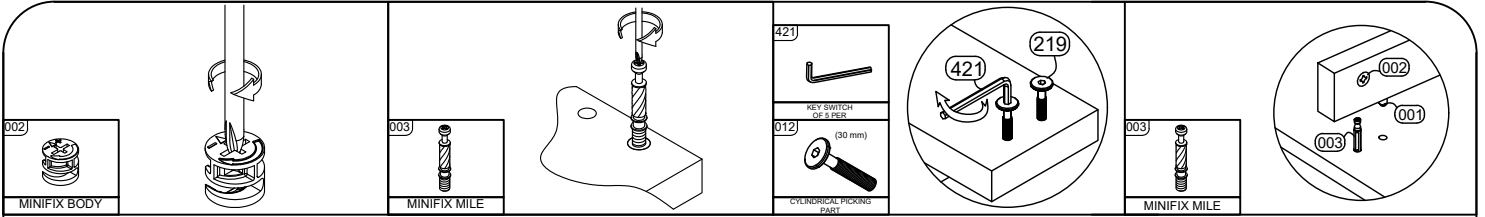
## HUGA 180CM BEDSTEAD



## HUGA 180CM BEDSTEAD



## HUGA 180CM BEDSTEAD



## HUGA 180CM BEDSTEAD

