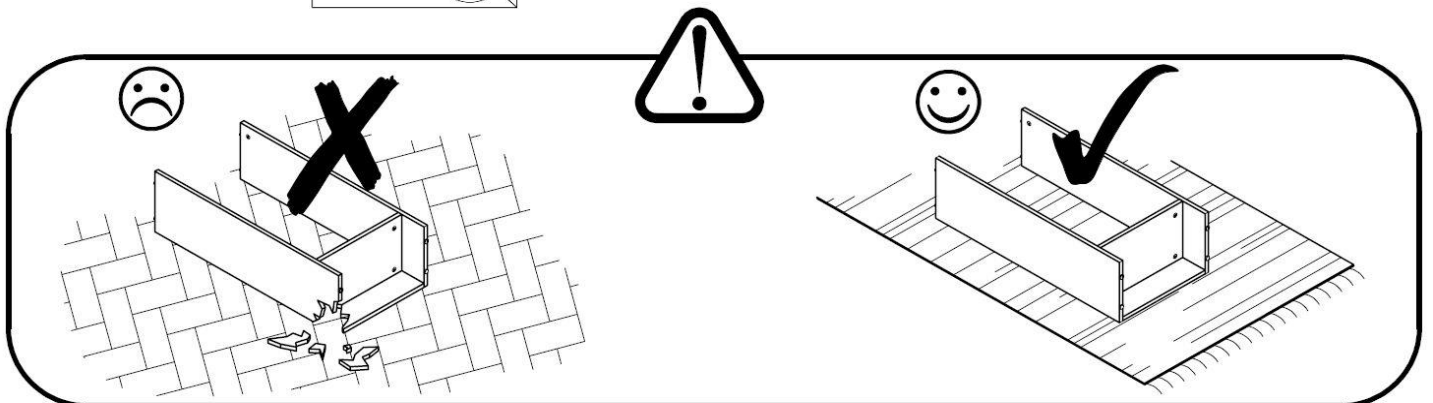
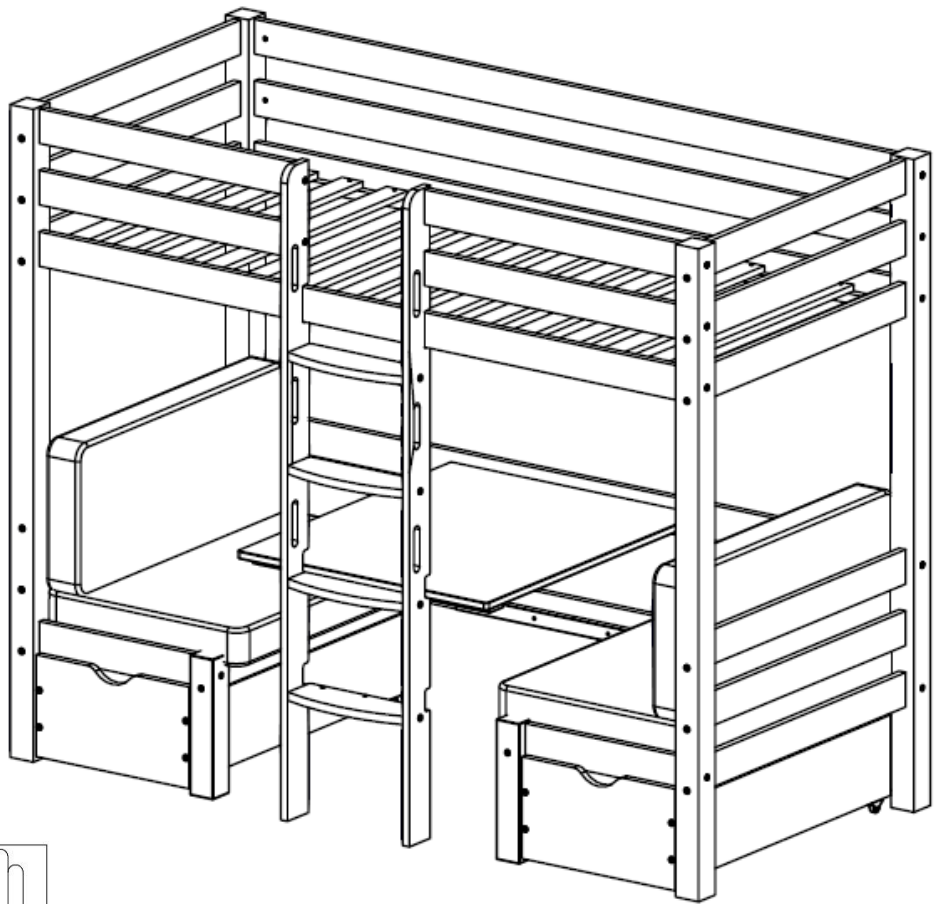
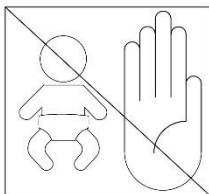
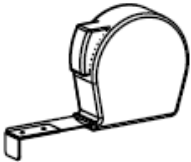
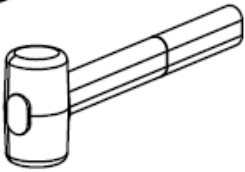
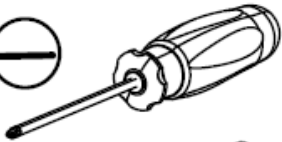
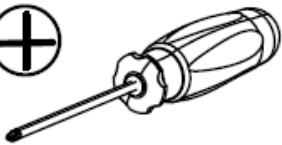
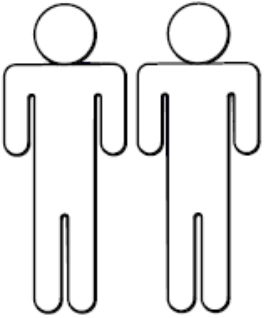
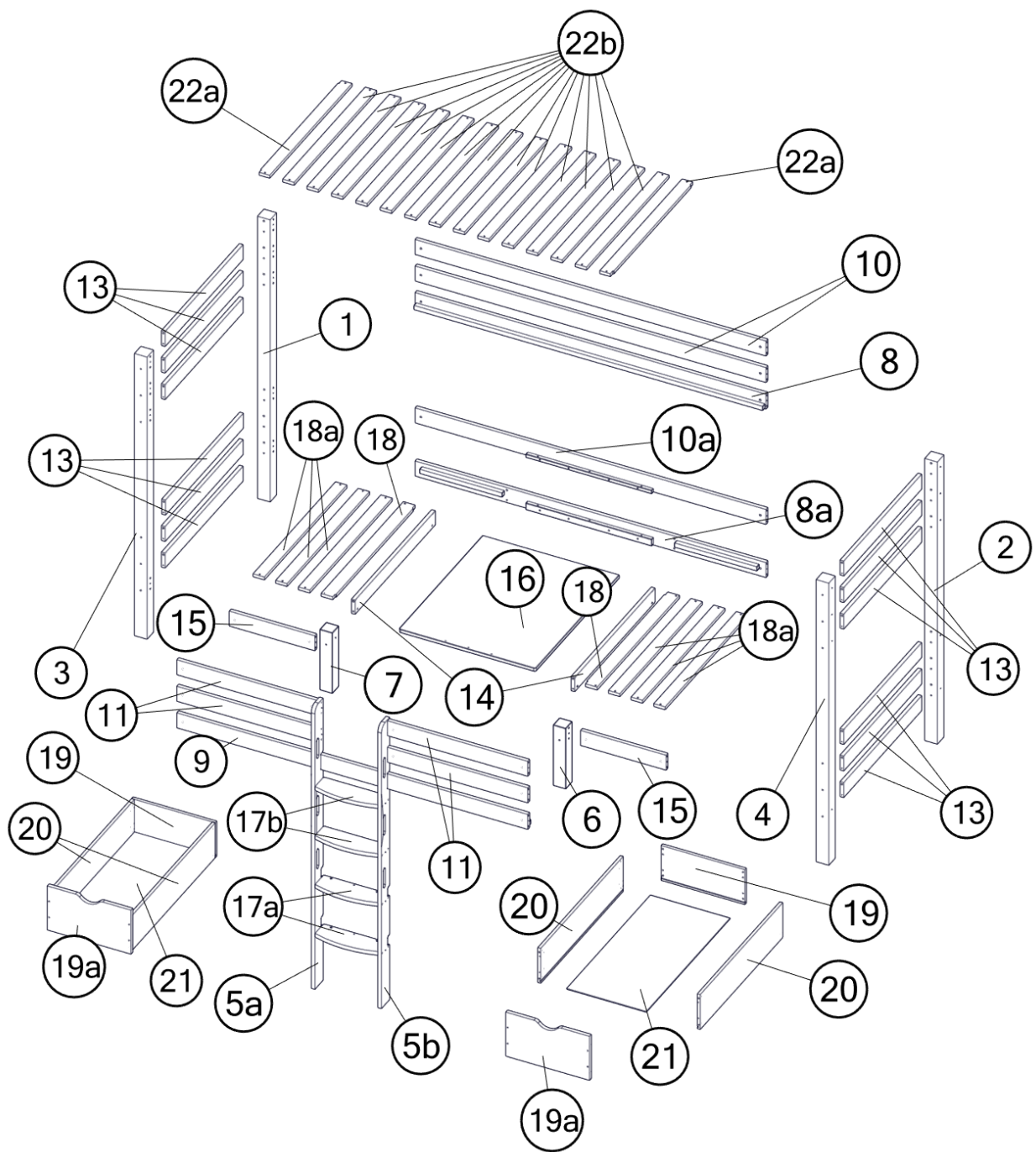




120 min





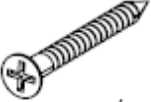



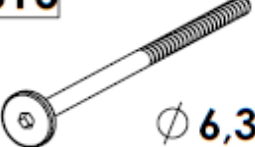







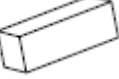



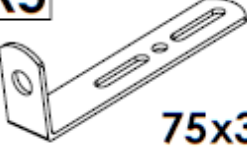
ELEN

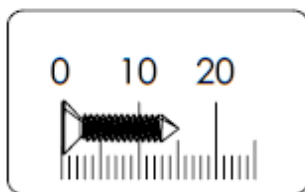




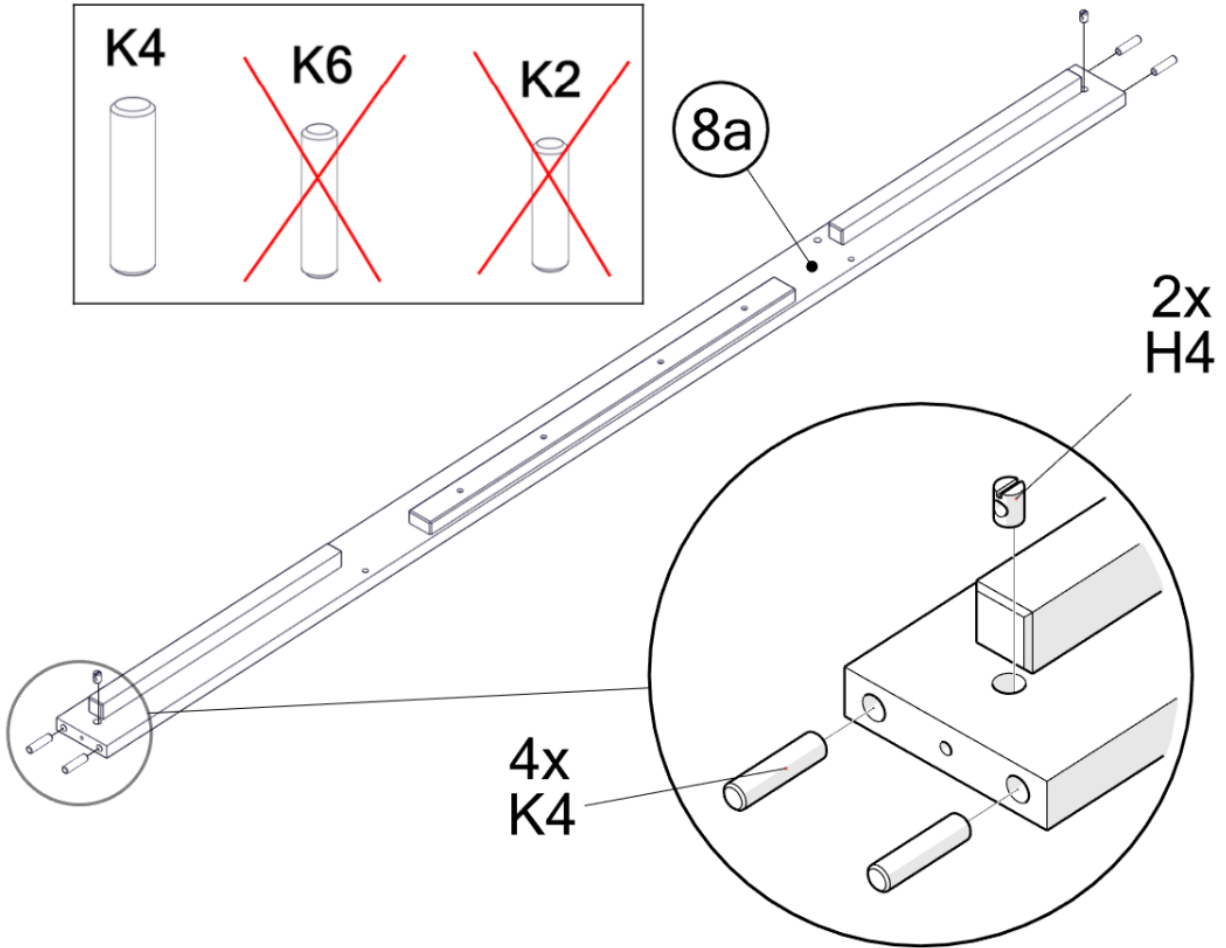
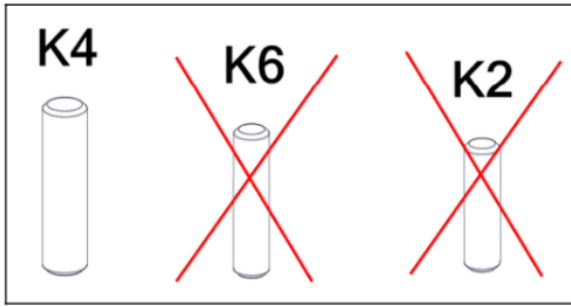
1	1700	70	70	x1
2	1700	70	70	x1
3	1700	70	70	x1
4	1700	70	70	x1
5a+5b	1700	90	20	X2
6	400	70	70	x1
7	400	70	70	x1
8	1950	90	20	x1
8a	1950	90	20	x1
9	1950	90	20	x1
10	1950	90	20	X2
10a	1950	90	20	x1
11	780	90	20	X4

13	850	90	20	x12
14	875	85	20	x2
15	475	90	20	x2
16	914	760	20	x1
17a	350	120	20	x2
17b	350	120	20	x2
18	898	63	17	x2
18a	898	63	17	x6
19	465	210	20	X2
19a	465	265	20	X2
20	900	210	16	X4
21	914	443	3	X2
22a	898	63	17	x2
22b	898	63	17	x13

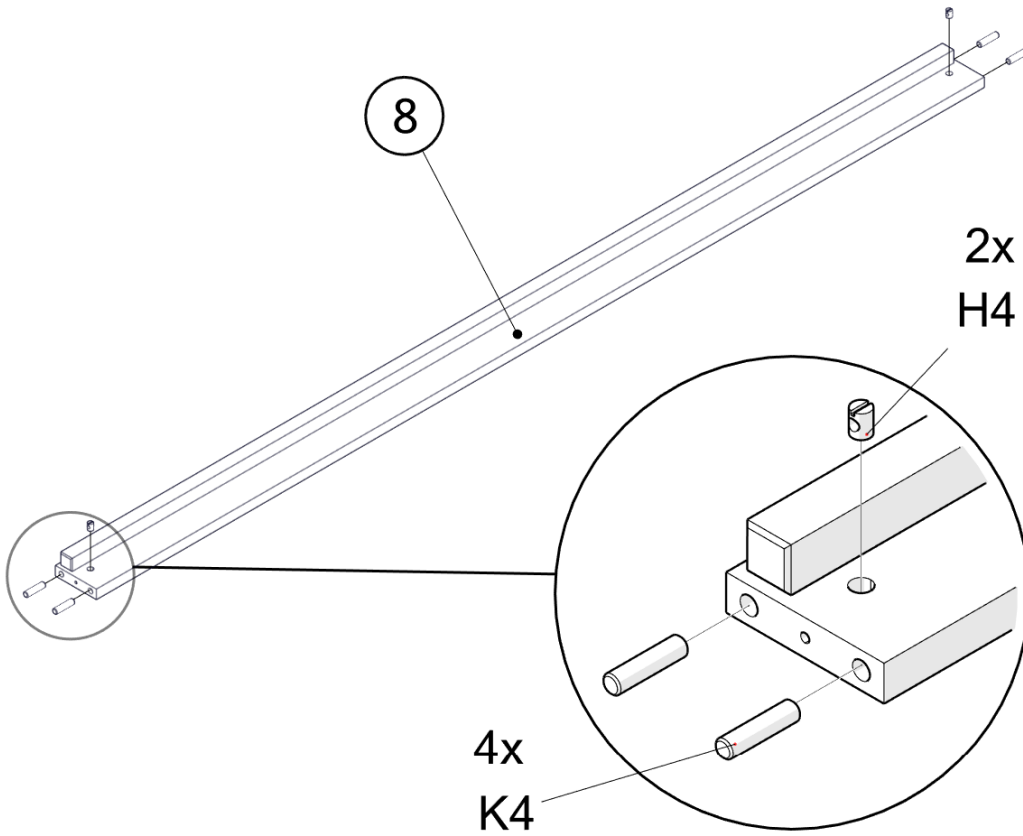
K2	x5	K4	x92	K6	x16
					
$\varnothing 8 \times 30$		$\varnothing 10 \times 40$		$\varnothing 8 \times 35$	
S2	x16	S5	x46	J15	x6
					
$\varnothing 3,5 \times 16$		$\varnothing 3,5 \times 30$		M6X60	
S11	x24	R3	x1	S16	x24
					
$\varnothing 6,3 \times 50$		$\varnothing 6$		$\varnothing 6,3 \times 110$	
J12	x22	H4	x28	C5	x4
					
M6X110		$\varnothing 10 \times 13$		$\varnothing 7 \times 50$	
F2	x1	R1	x8	G3	x1
					
HEX 4mm		$\varnothing 30$		$\varnothing 35$	
Q1	x1	W2	x1	W3	x1
					
LEIM		72,5x25x25		63x20x20	
V3	x4	V2	x2	R5	x2
					
$\varnothing 3,5 \times 20$		$\varnothing 8 \times 40 / 4,5 \times 45$		75x30x15	



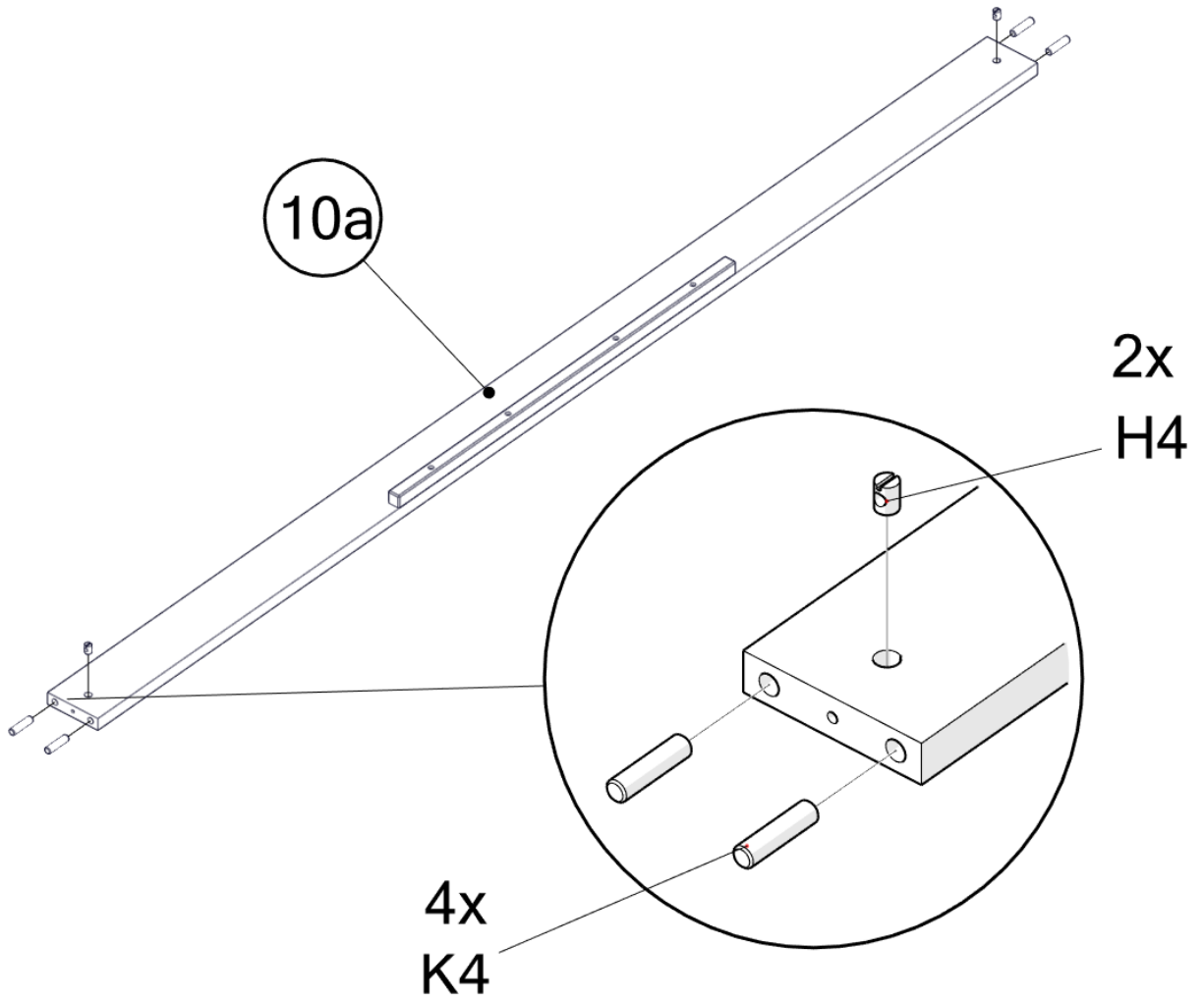
1



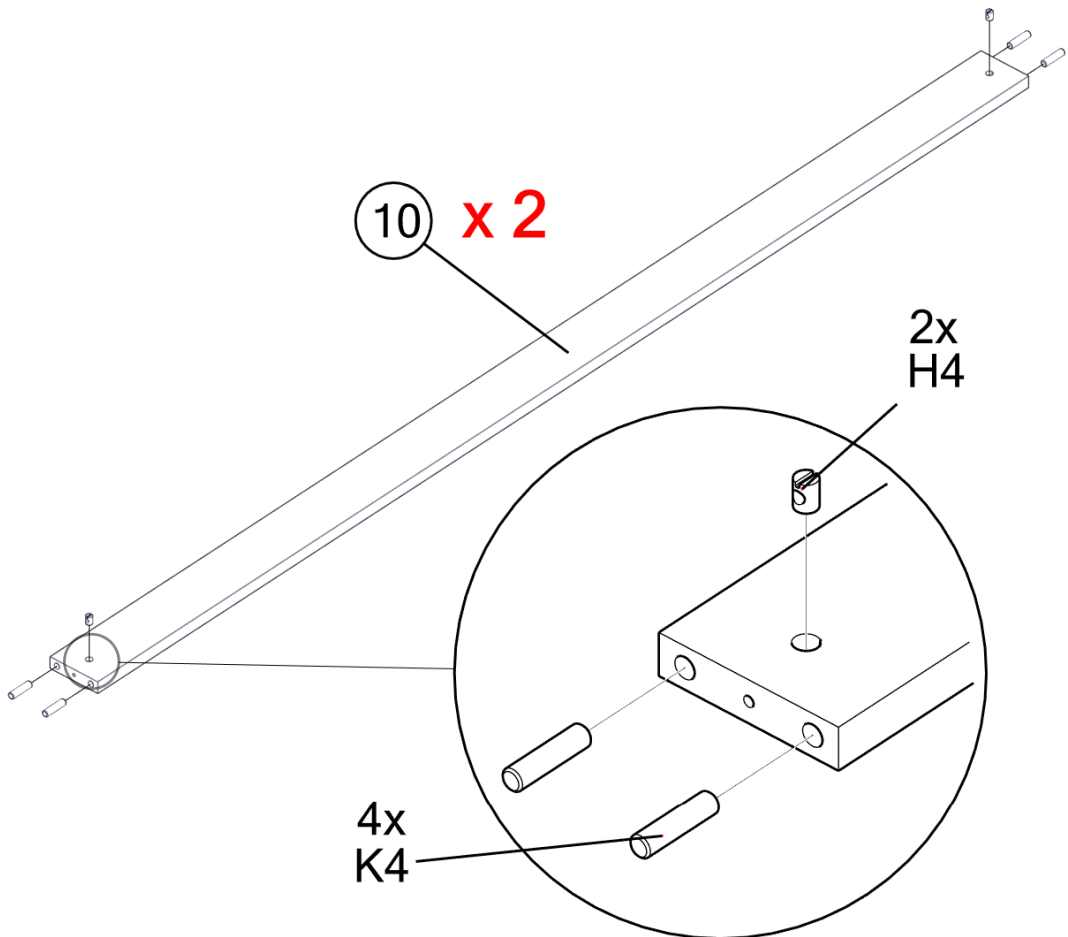
2



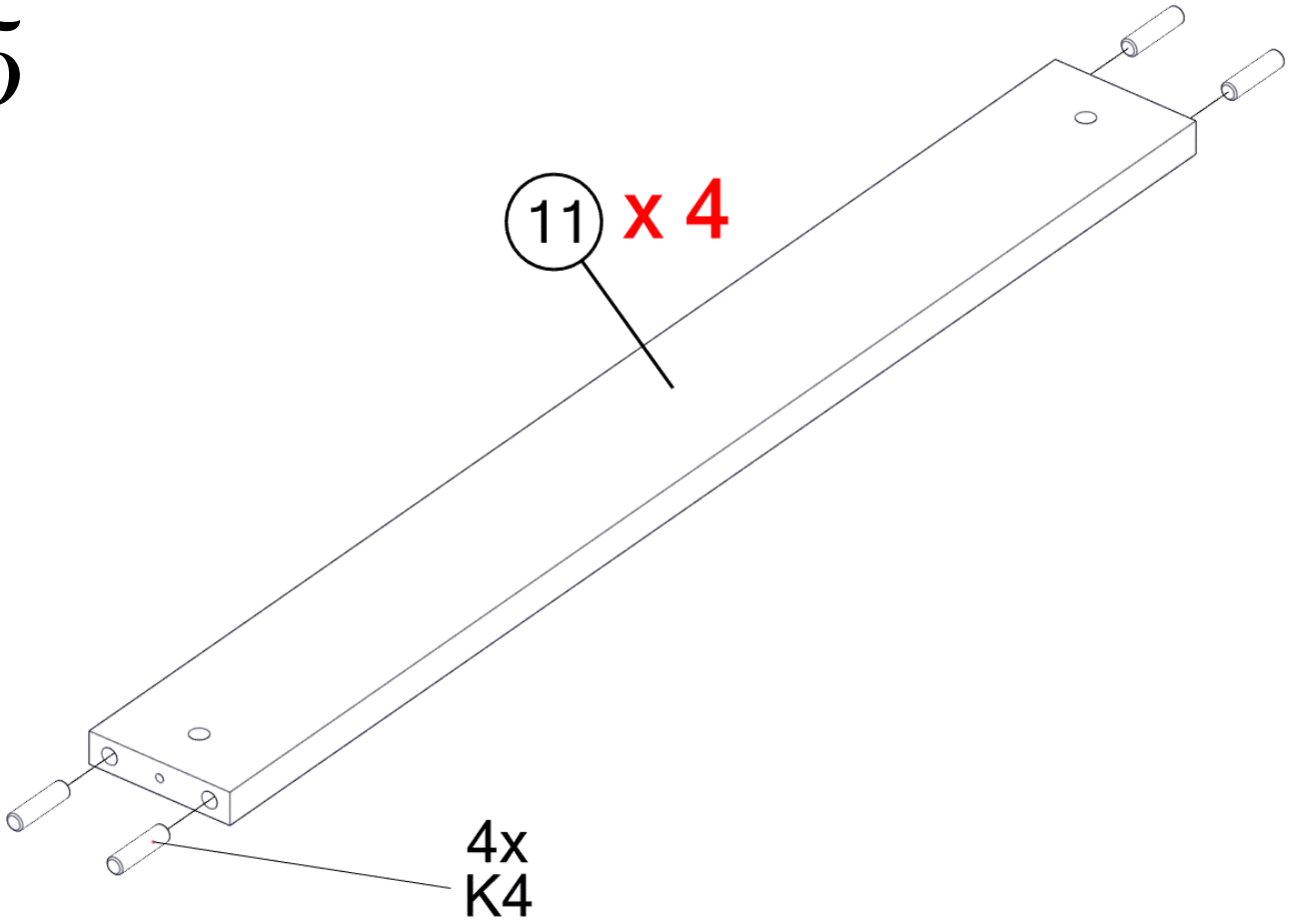
3



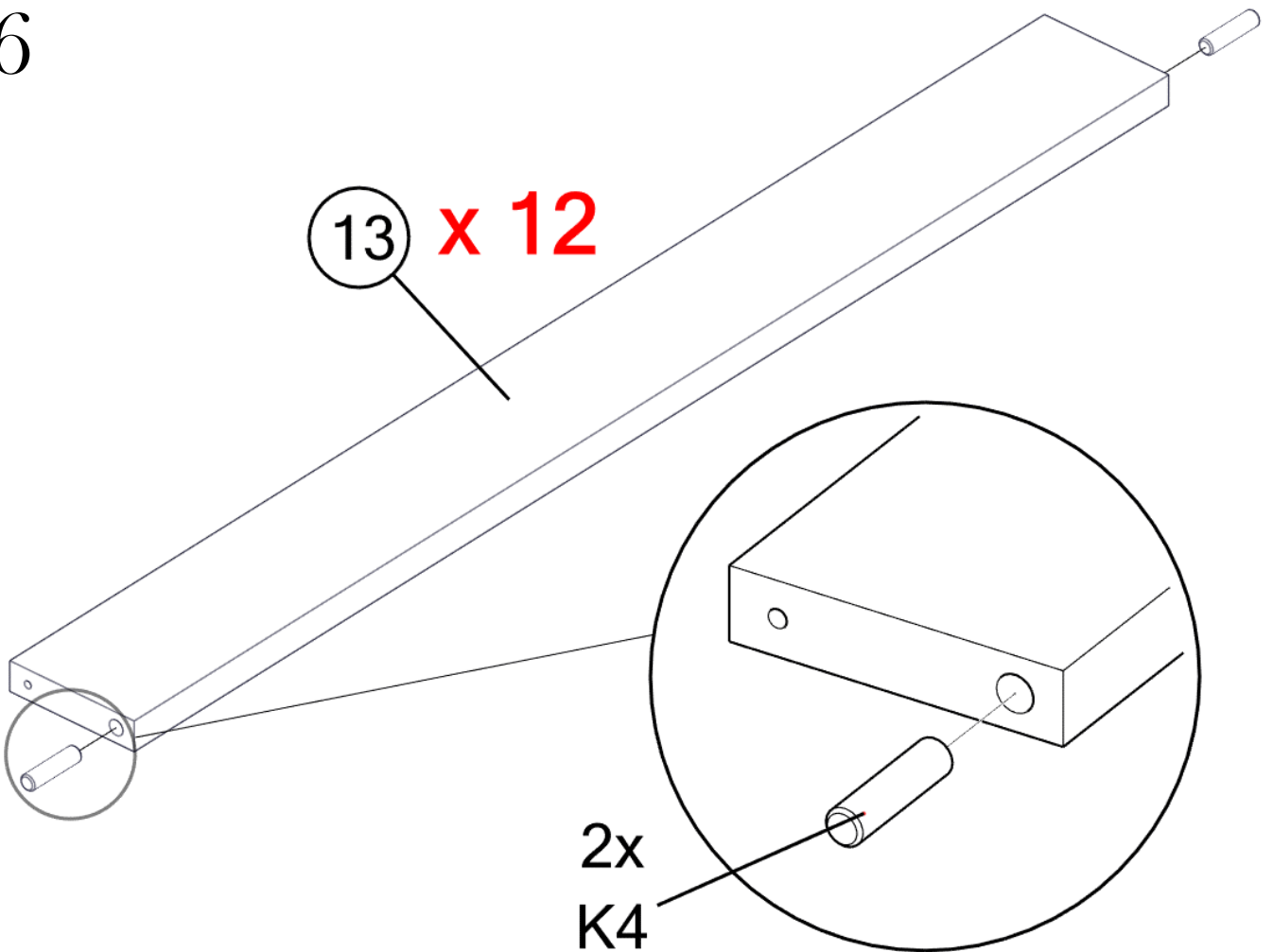
4



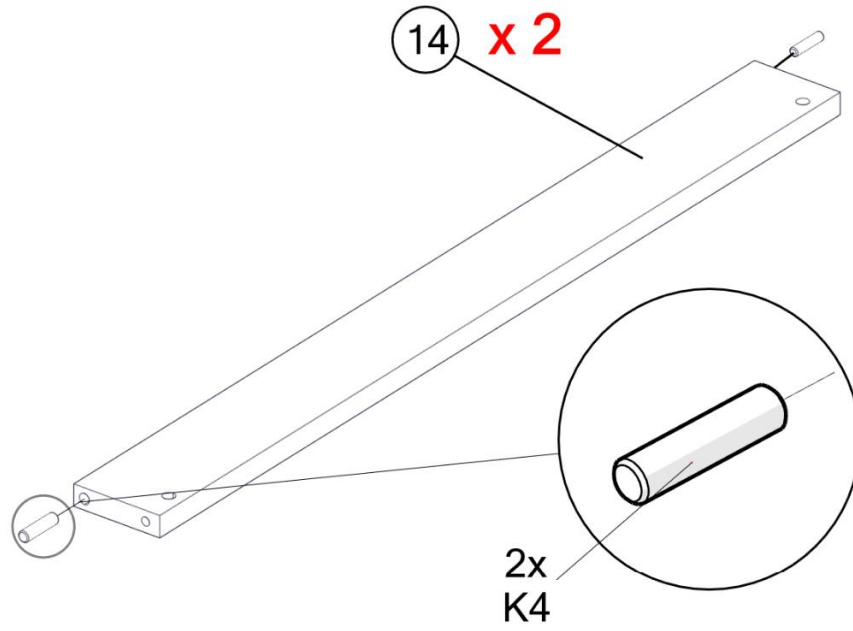
5



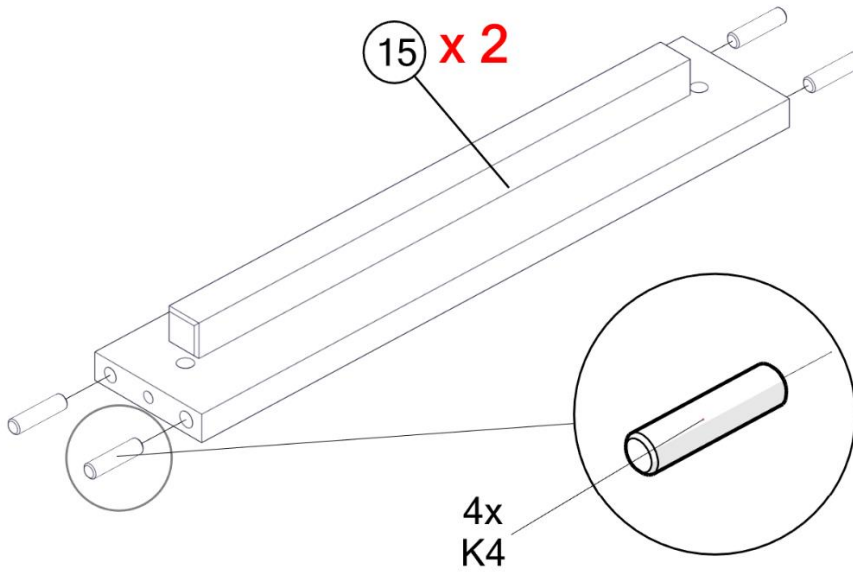
6



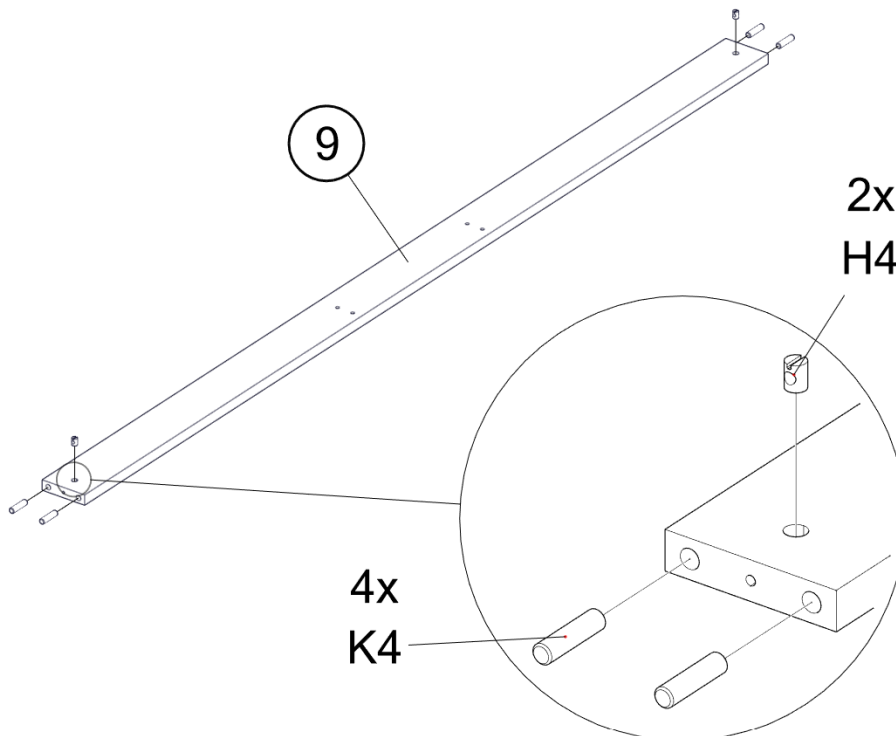
7



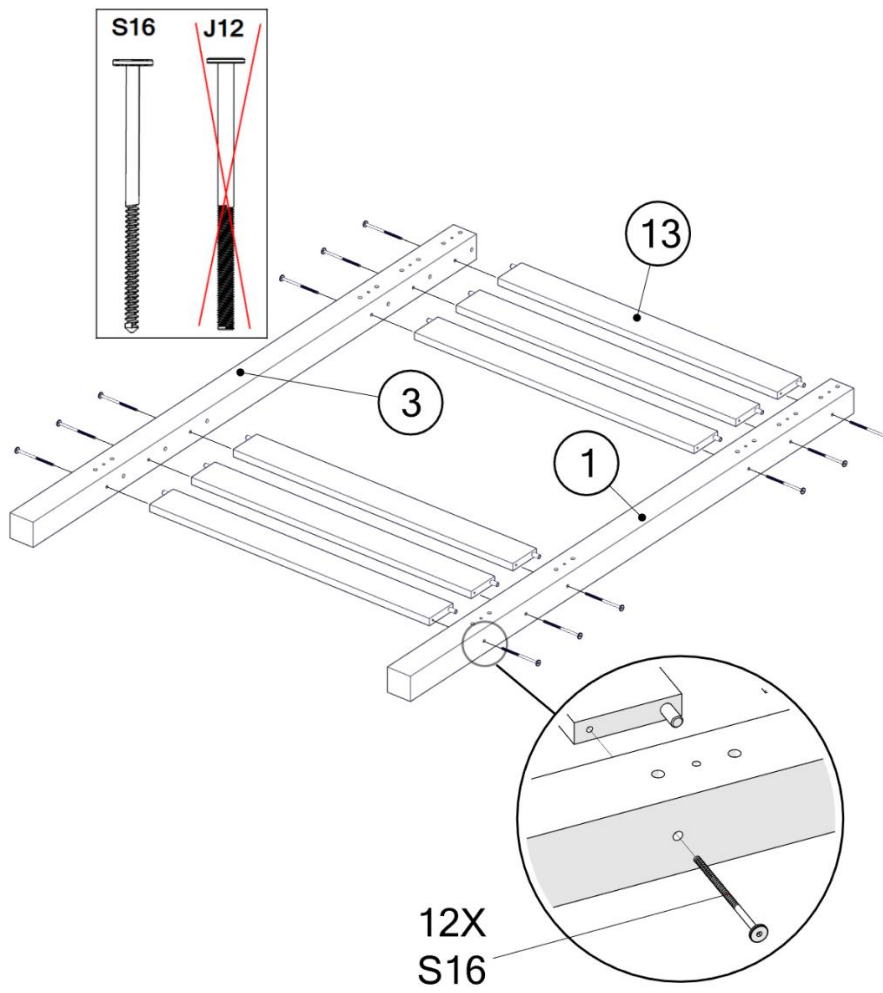
8



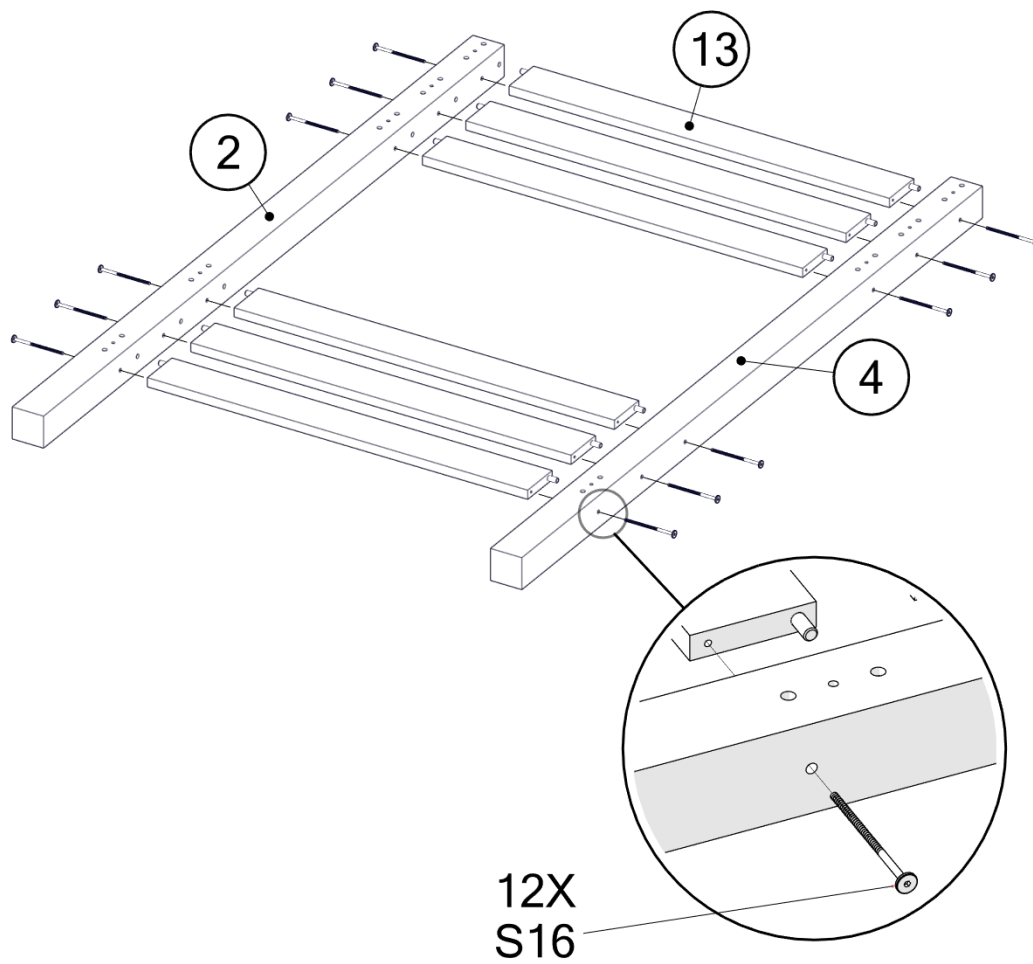
9



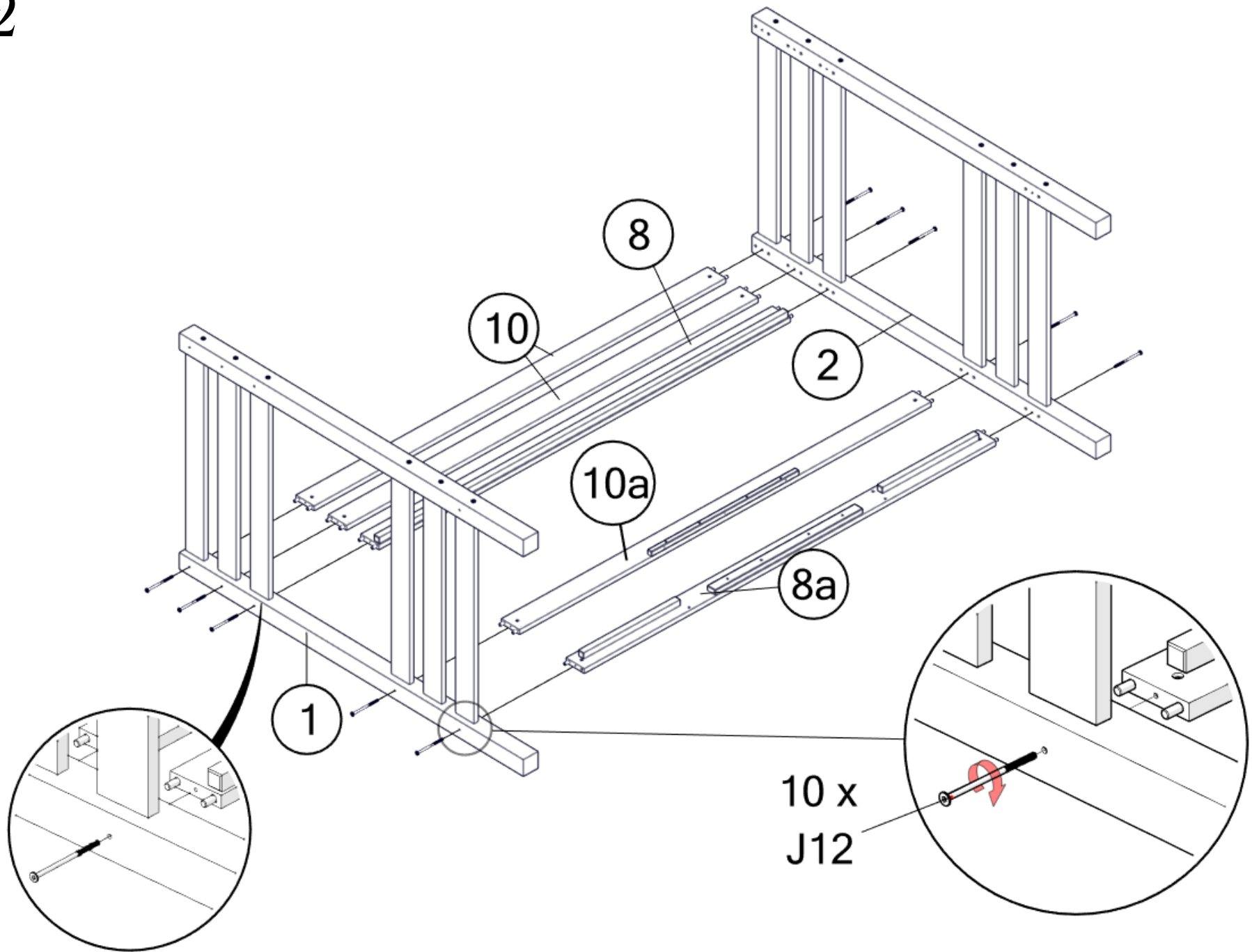
10



11

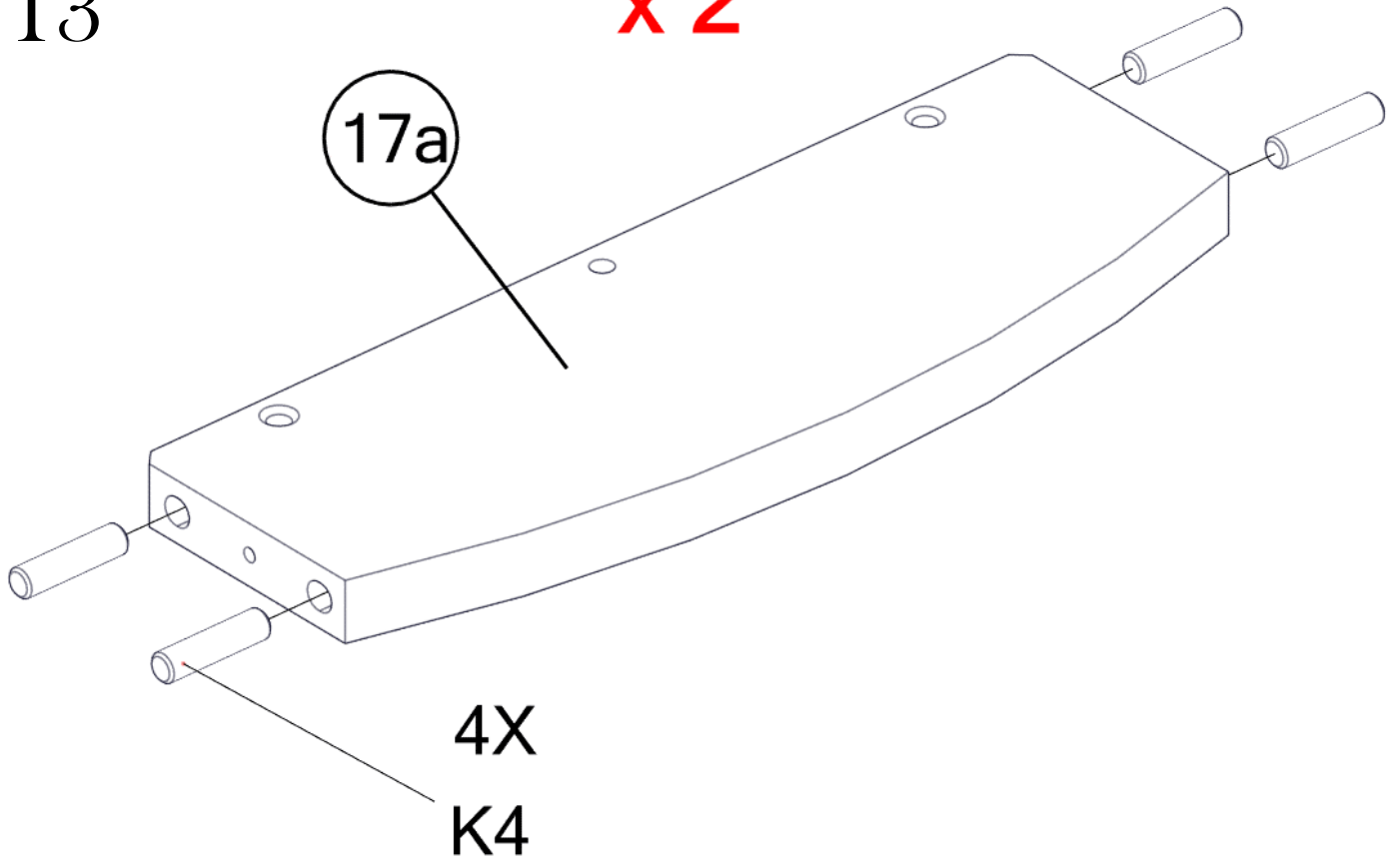


12



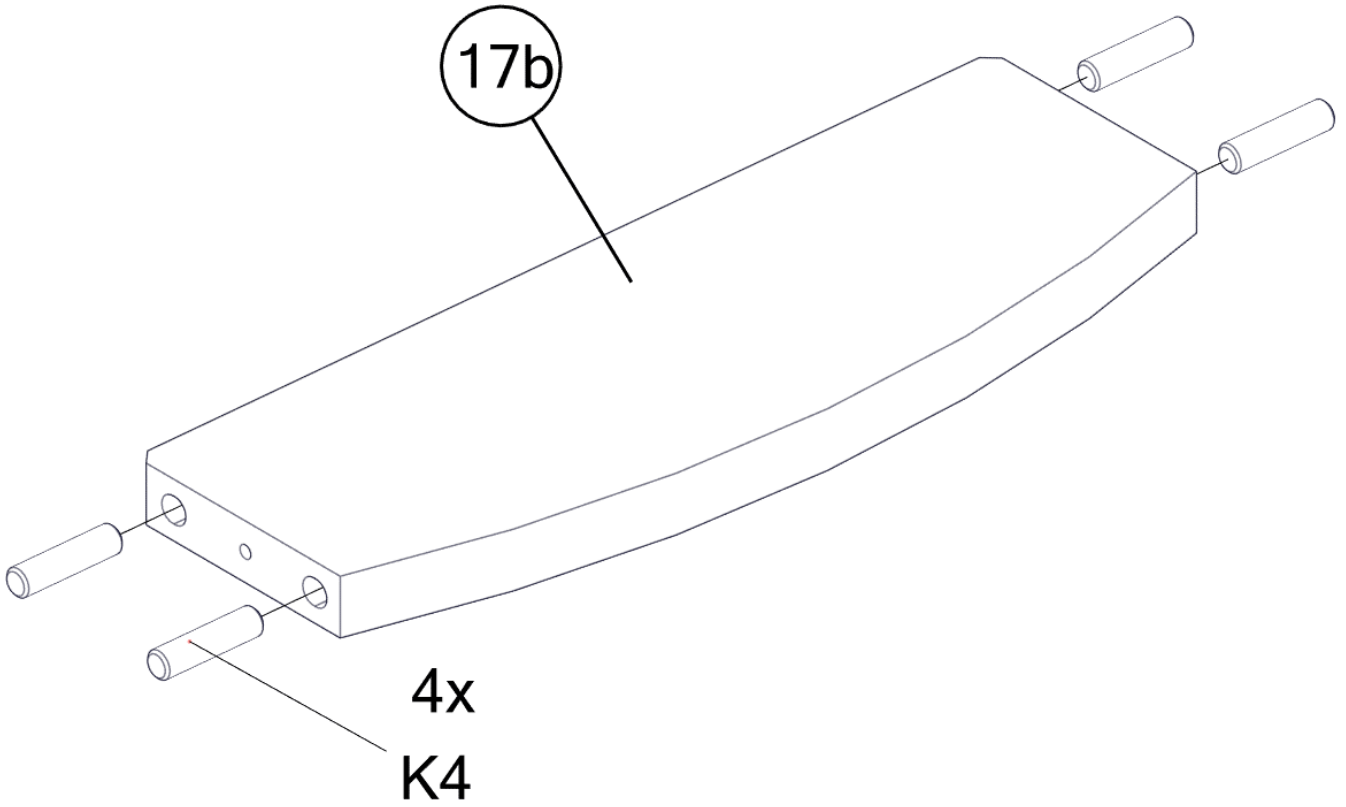
13

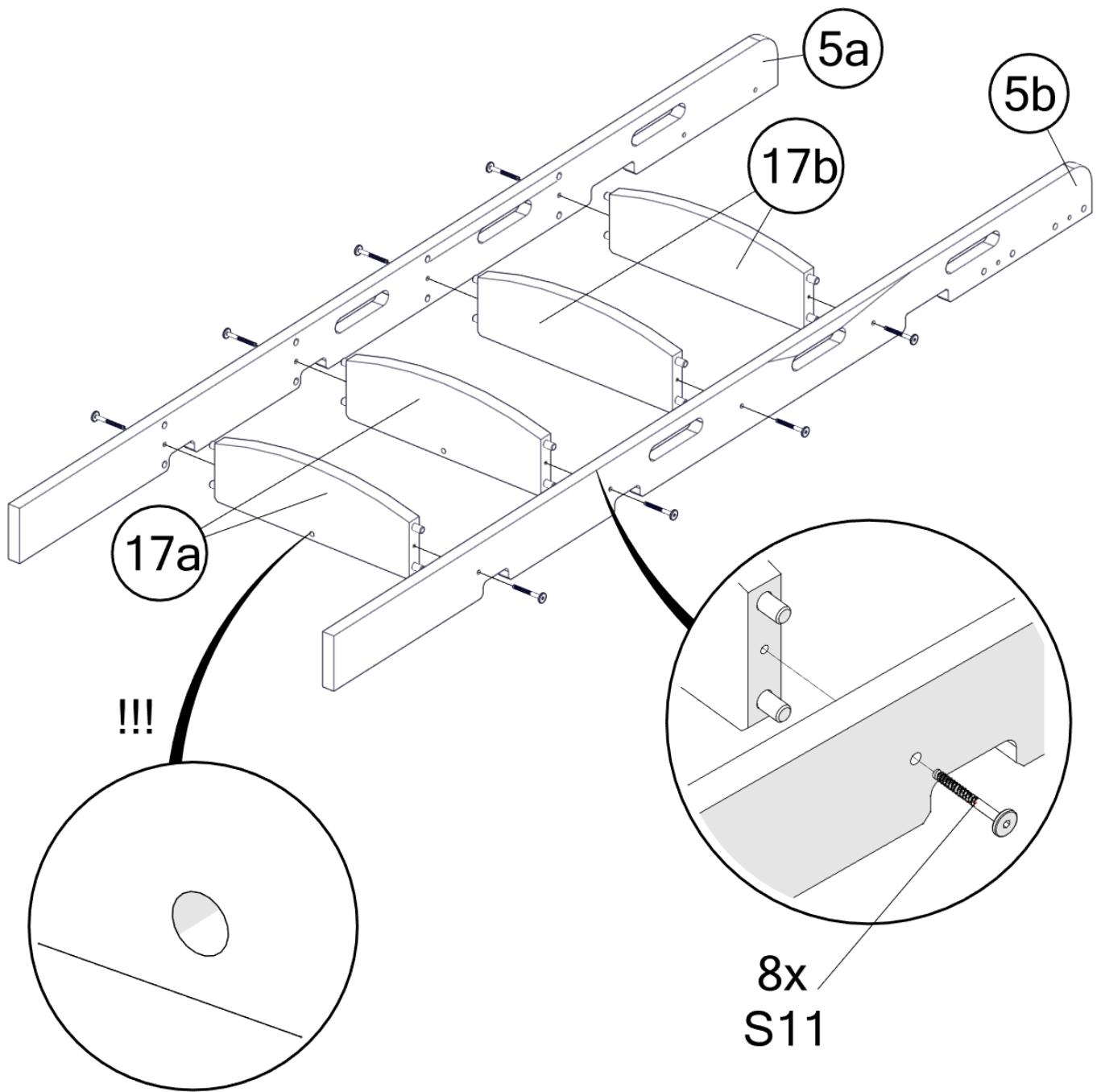
x 2



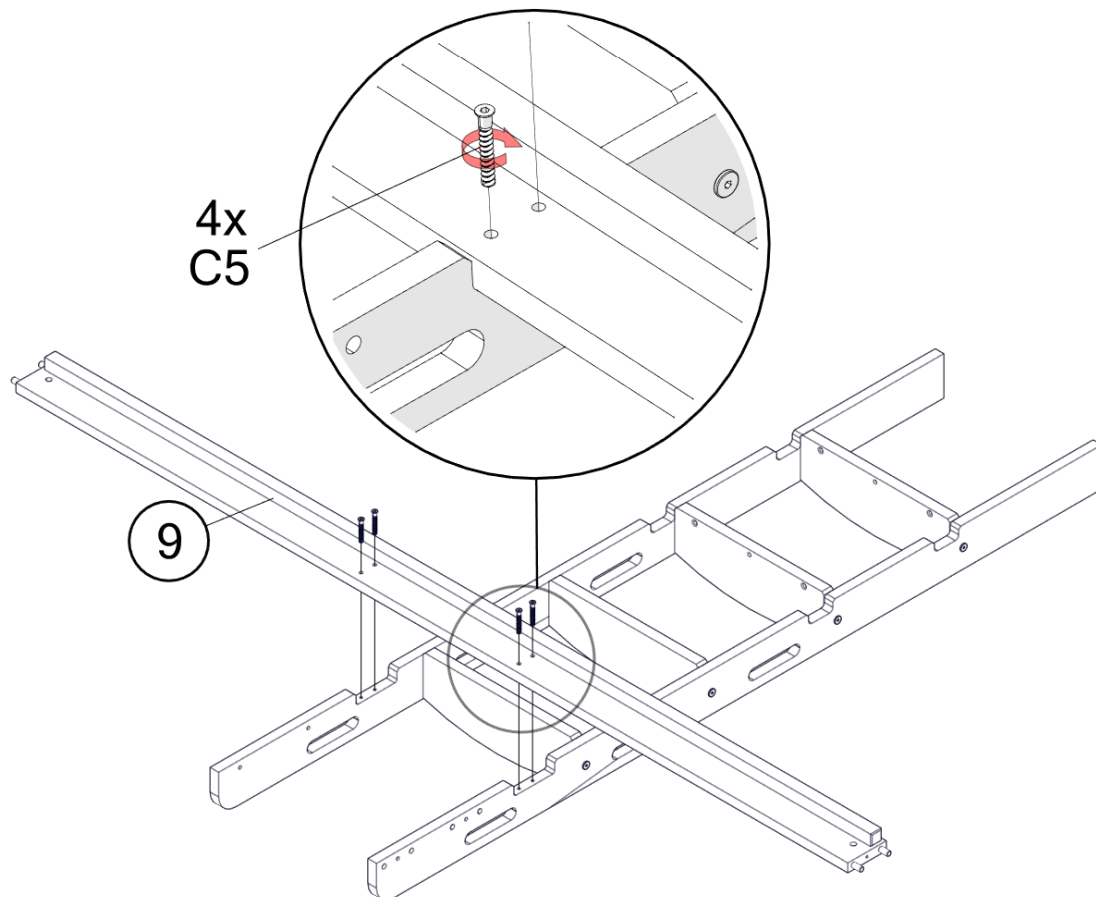
14

x 2

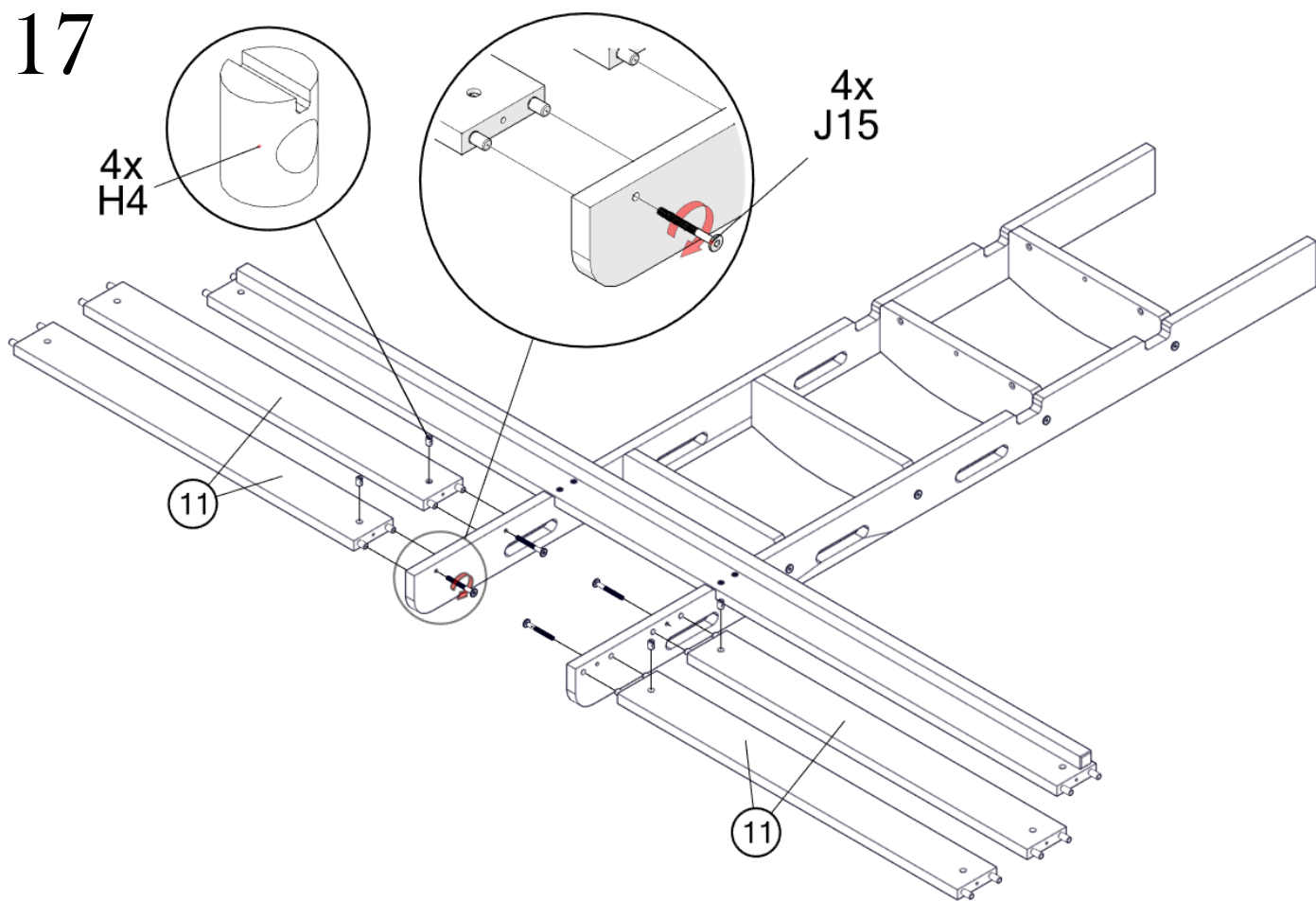




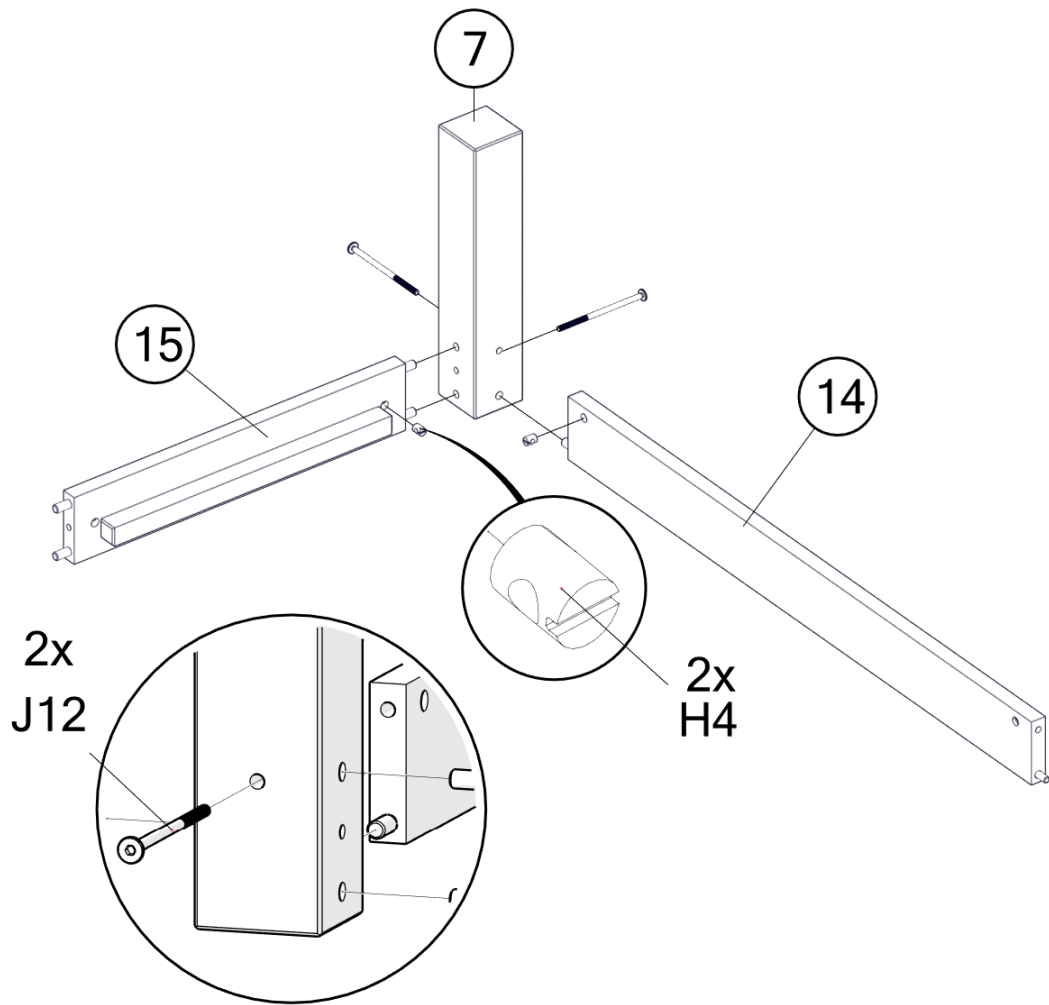
16



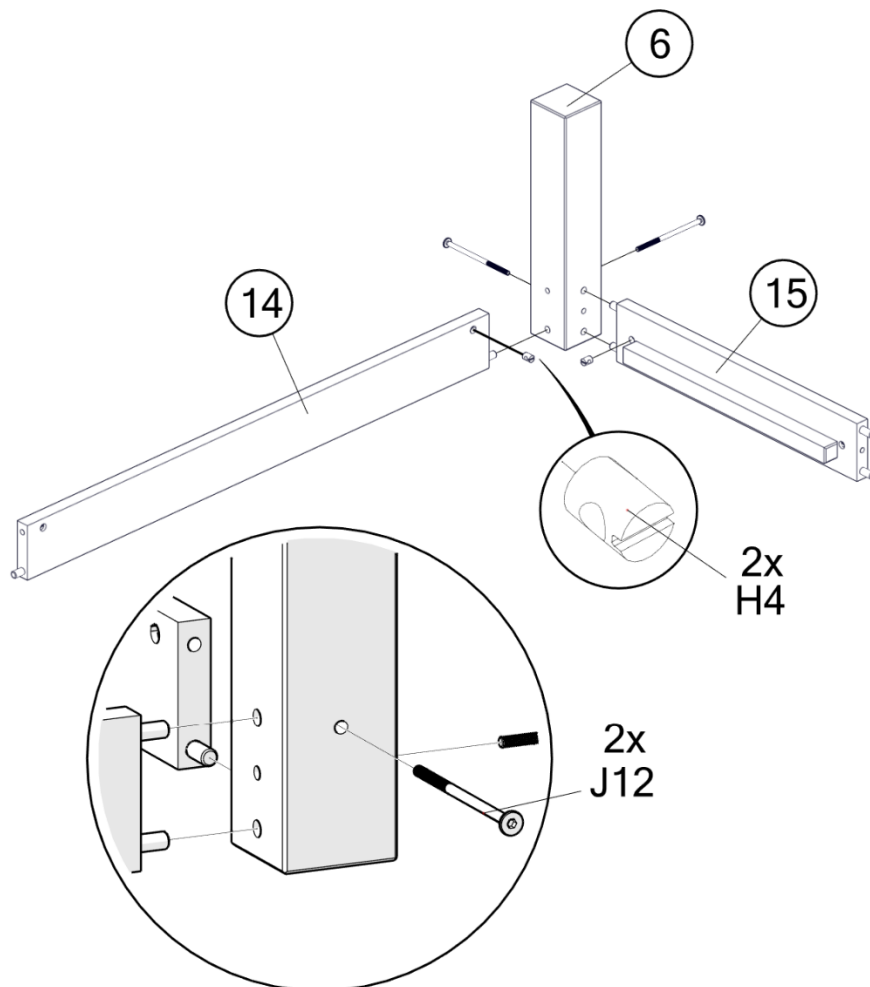
17

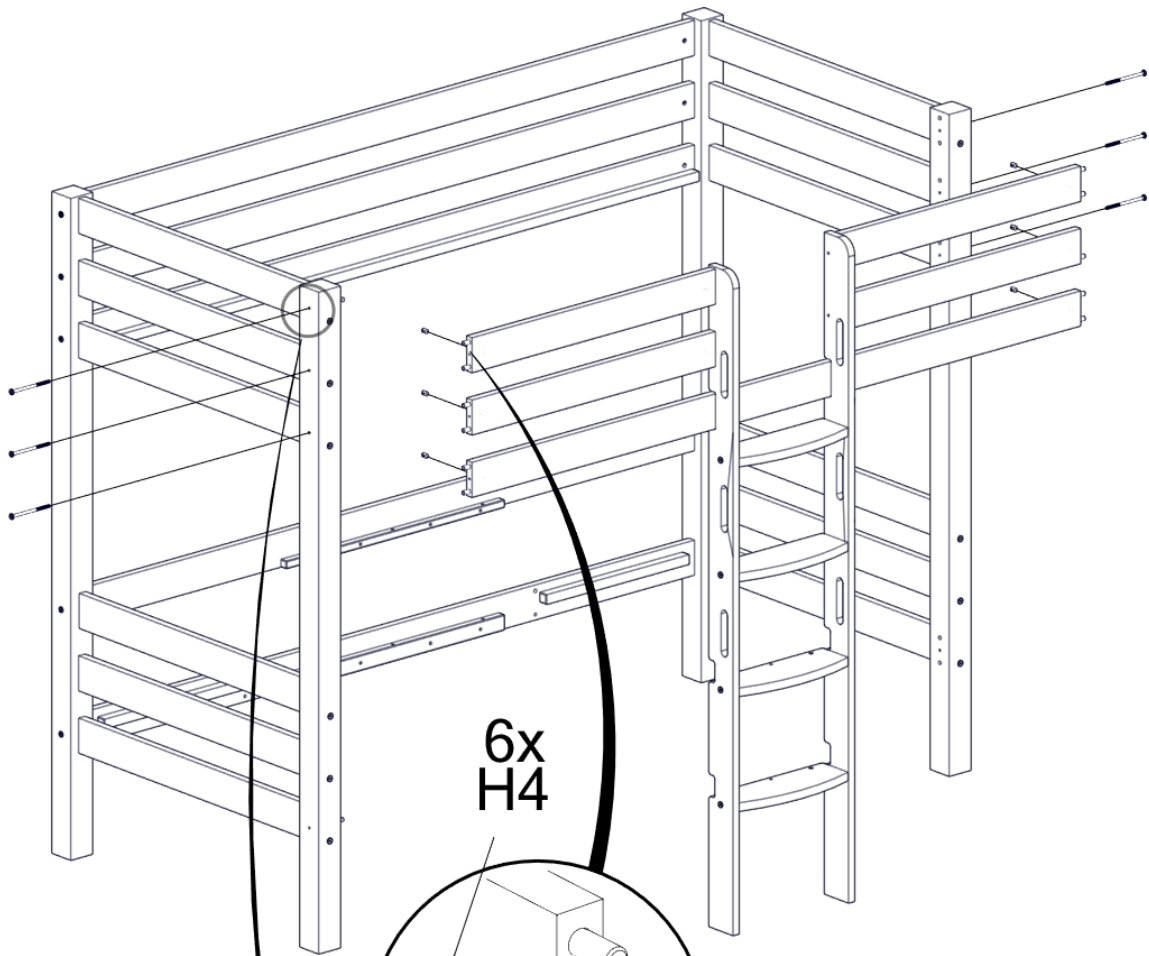


18

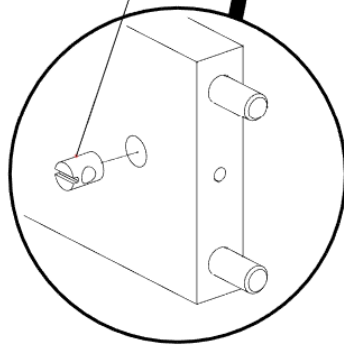


19

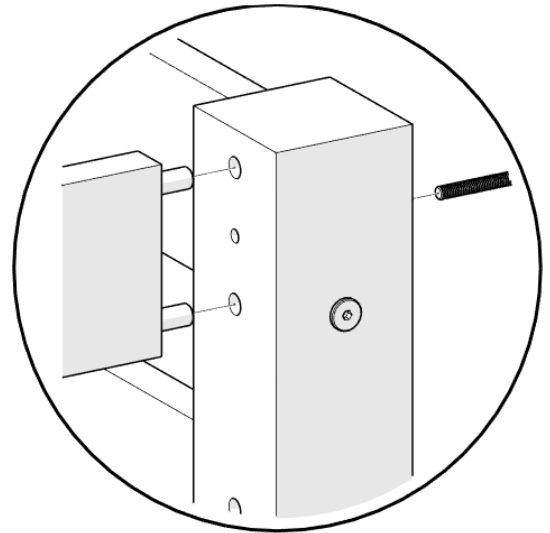
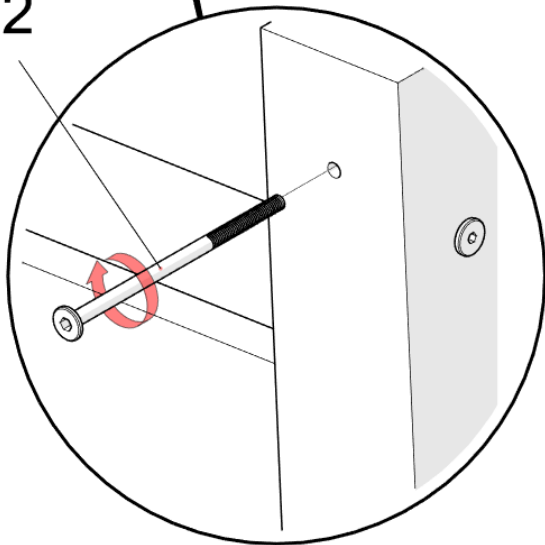




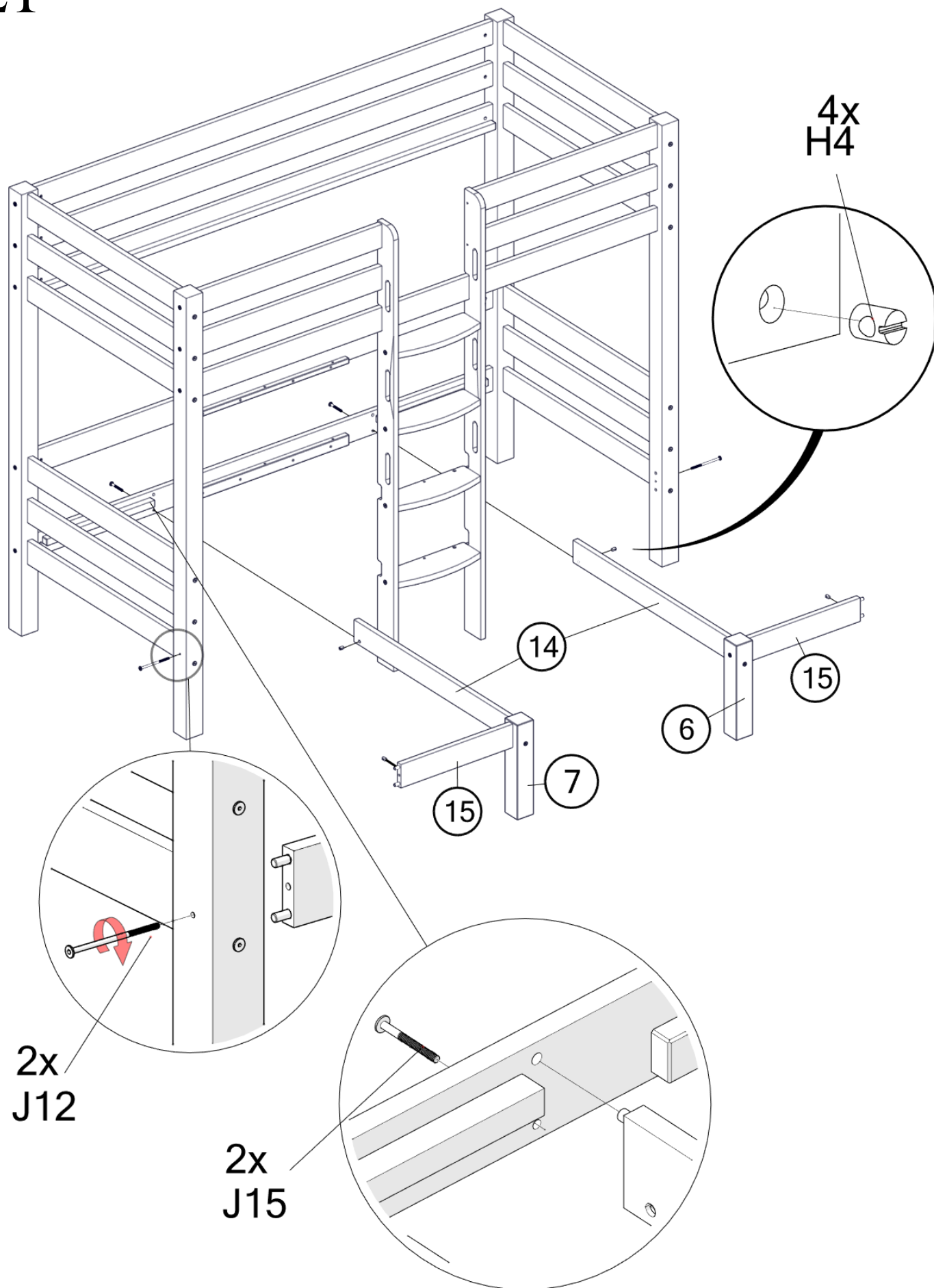
6x
H4



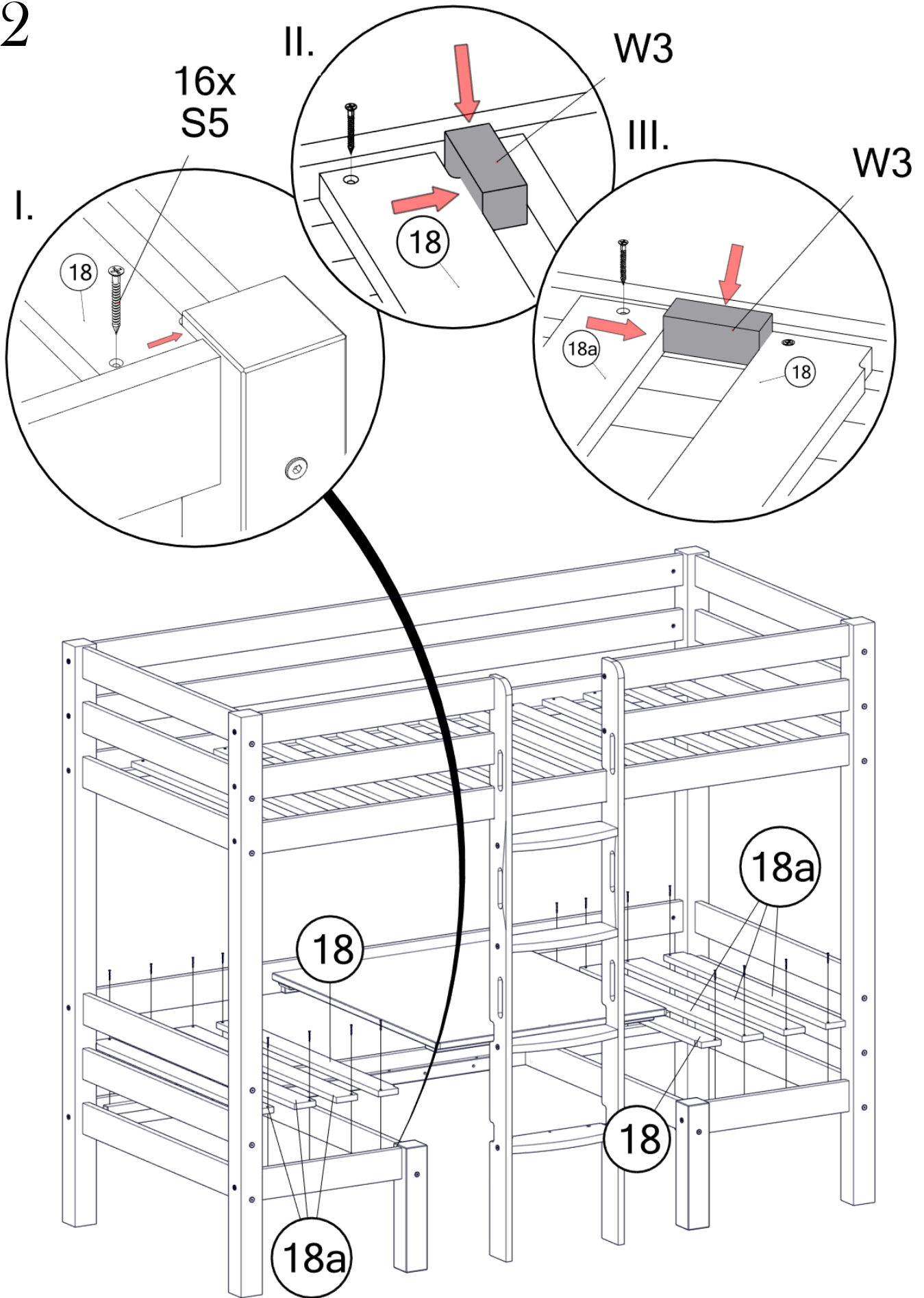
6x
J12



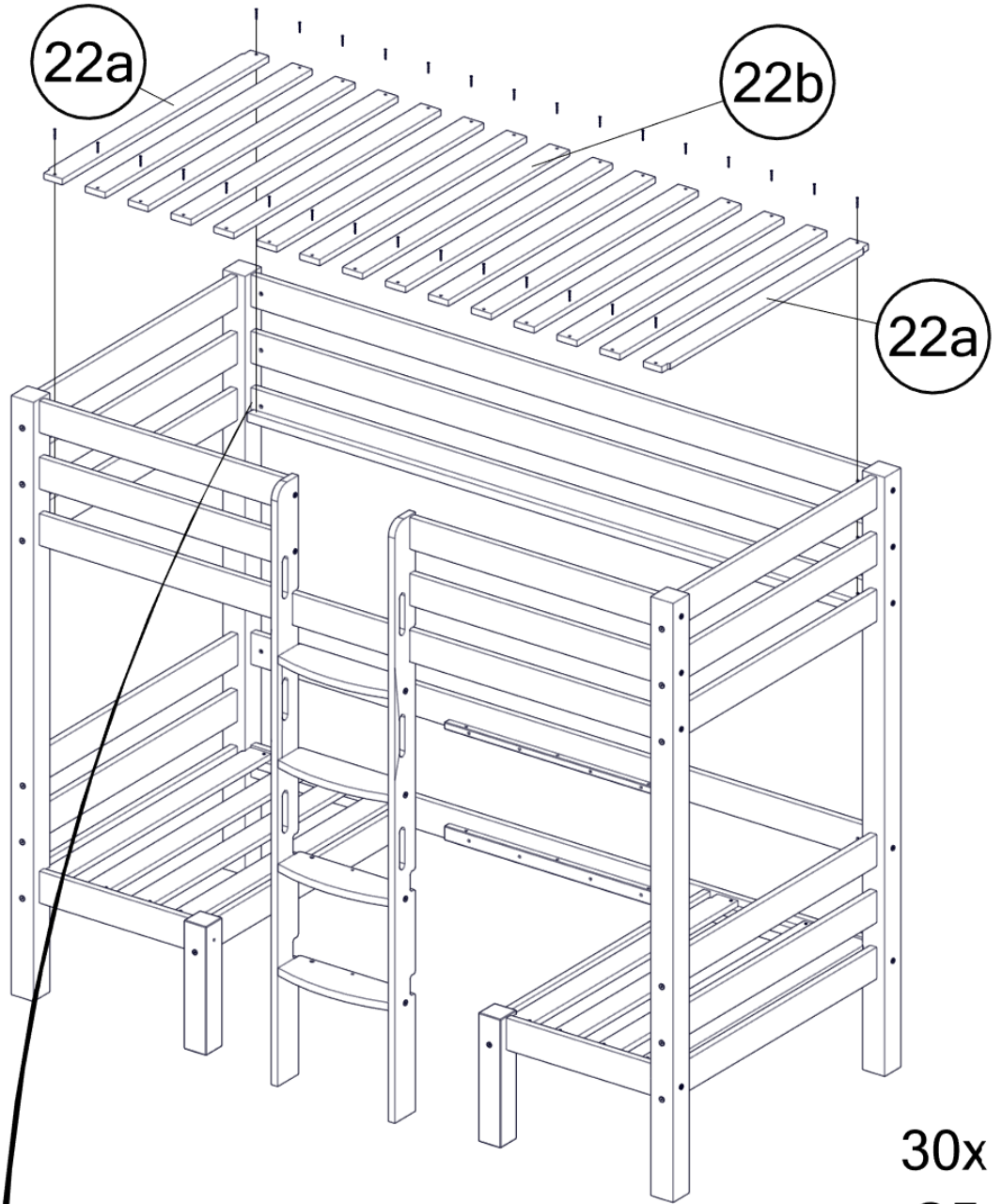
21



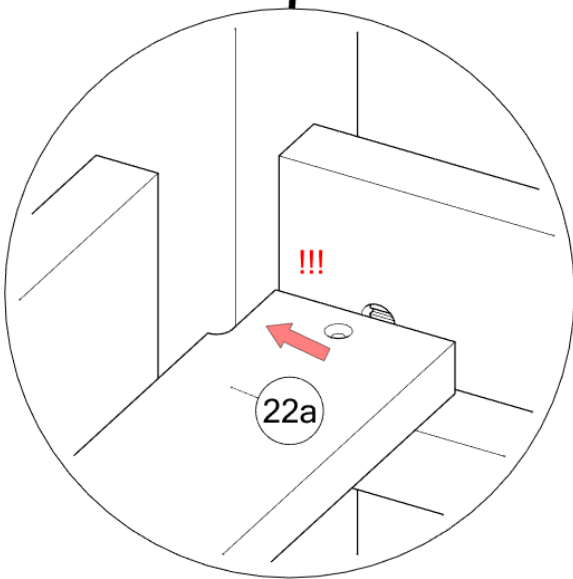
22



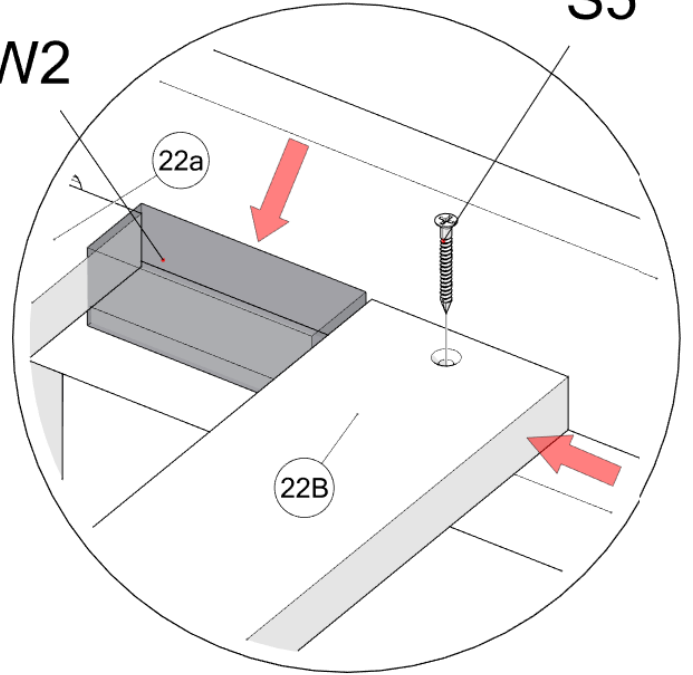
23



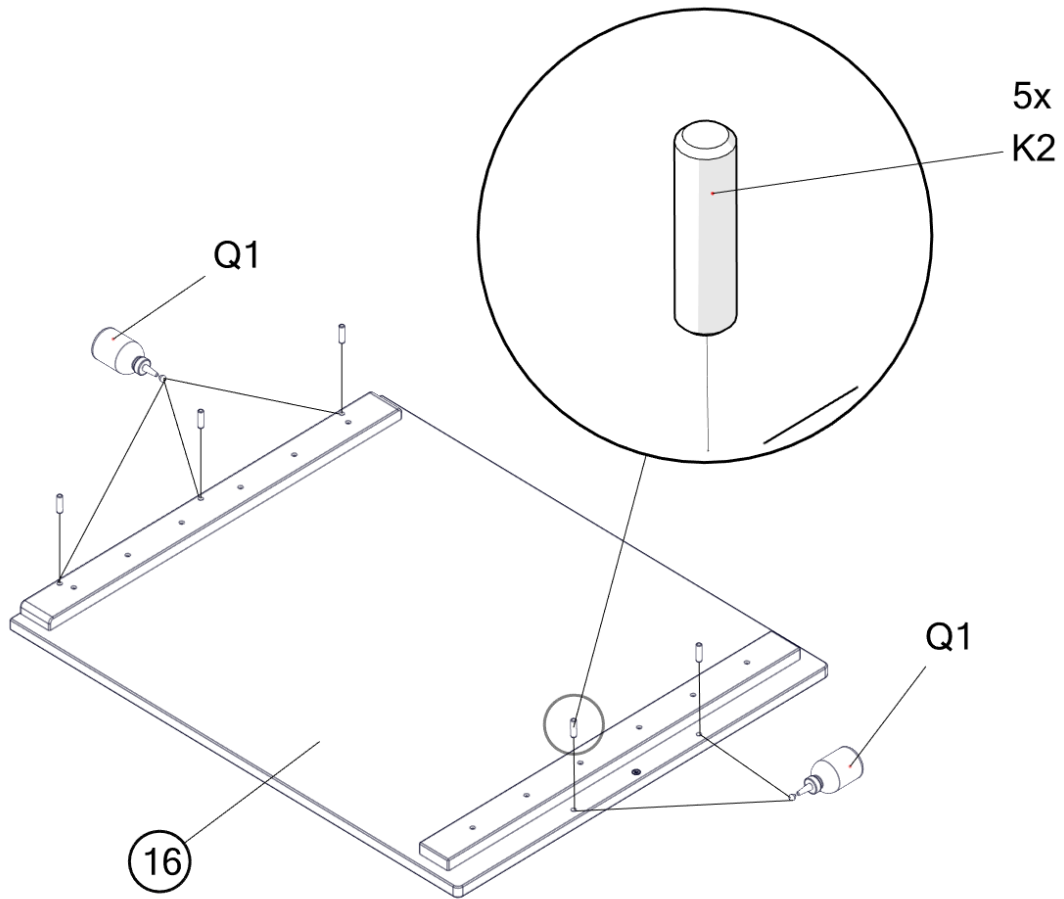
30x
S5



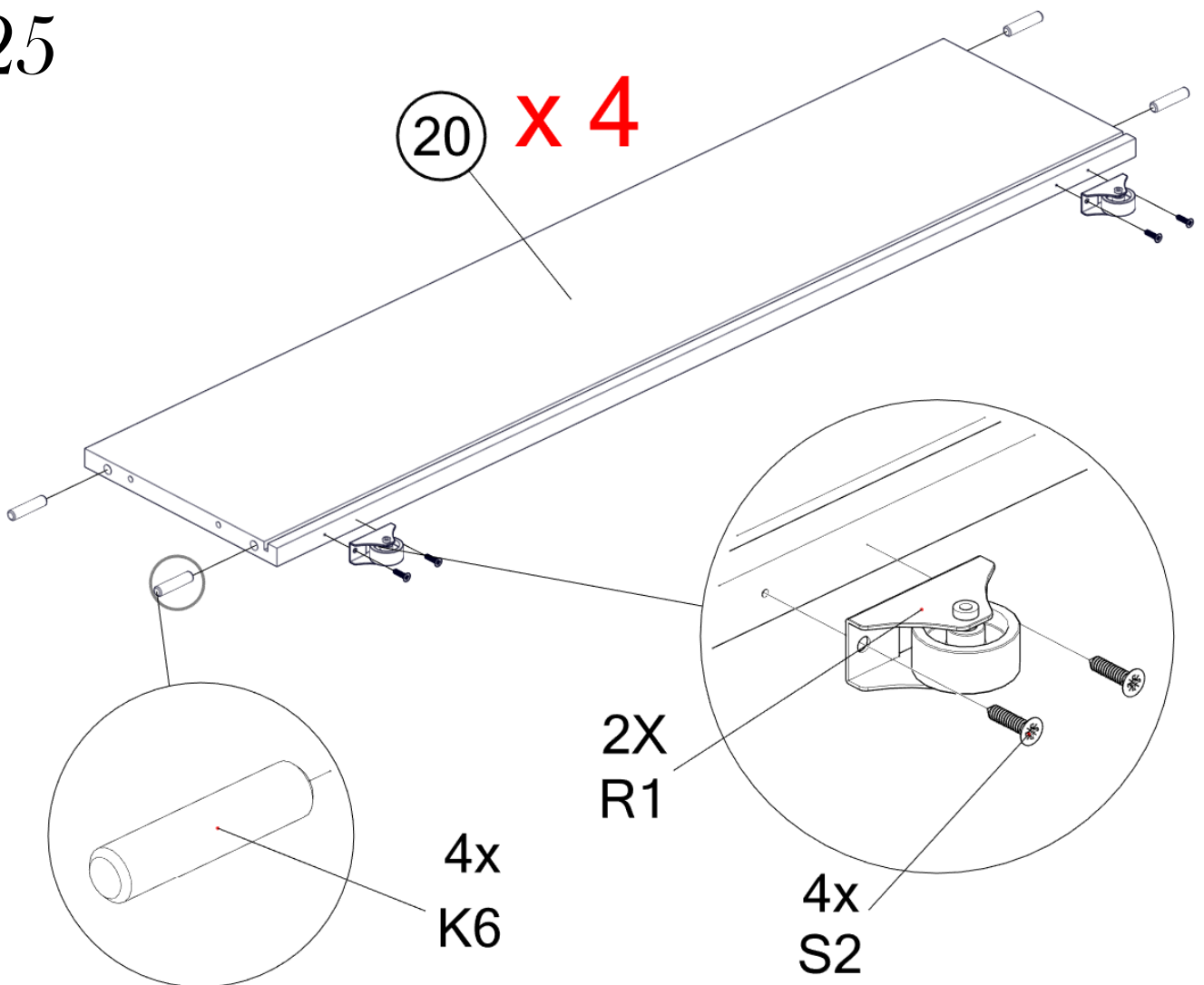
W2



24

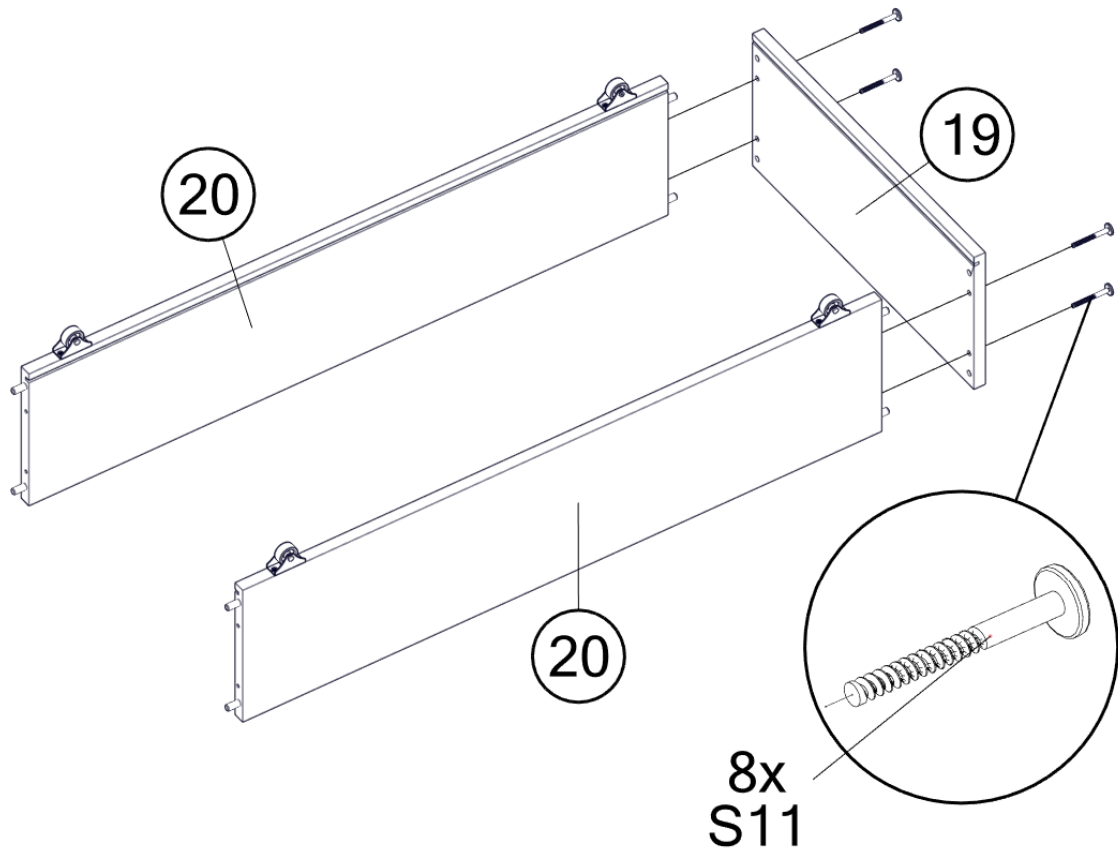


25



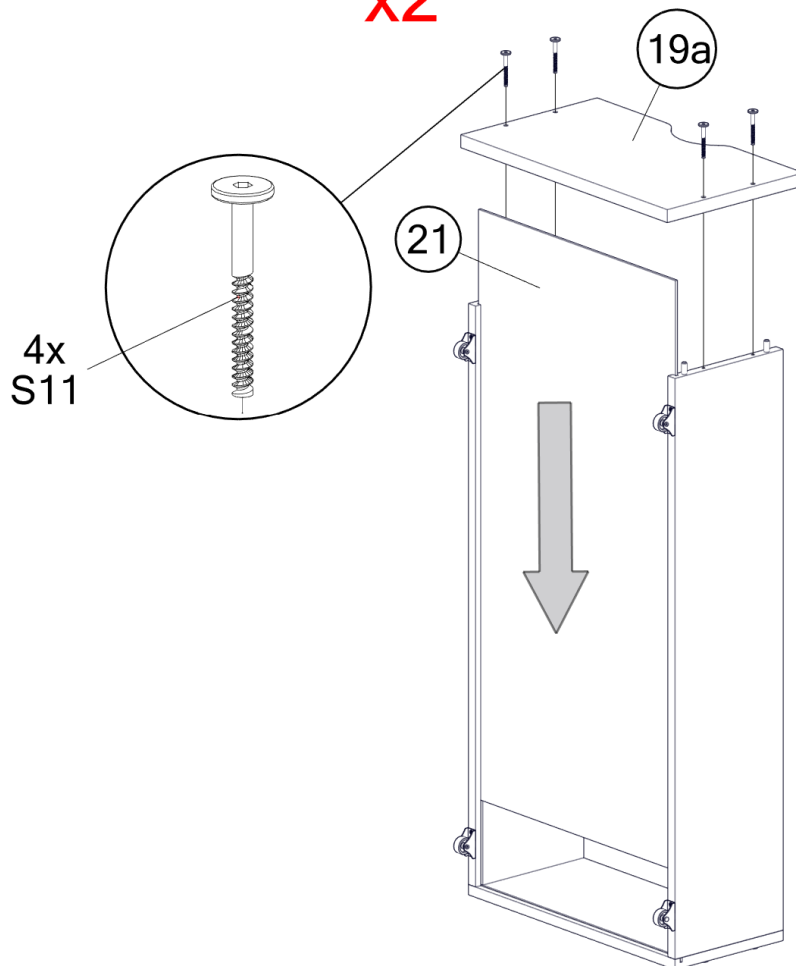
26

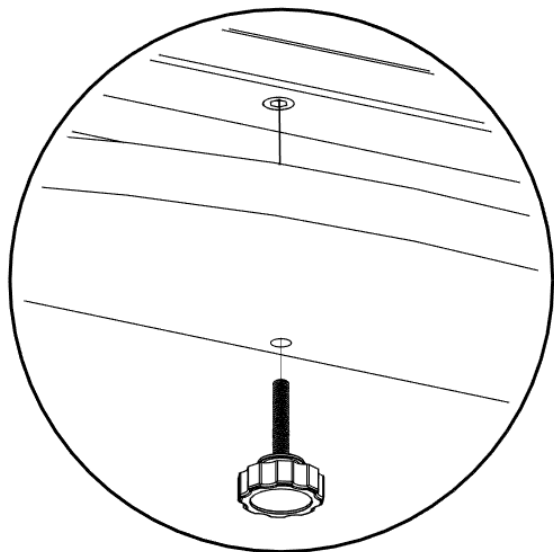
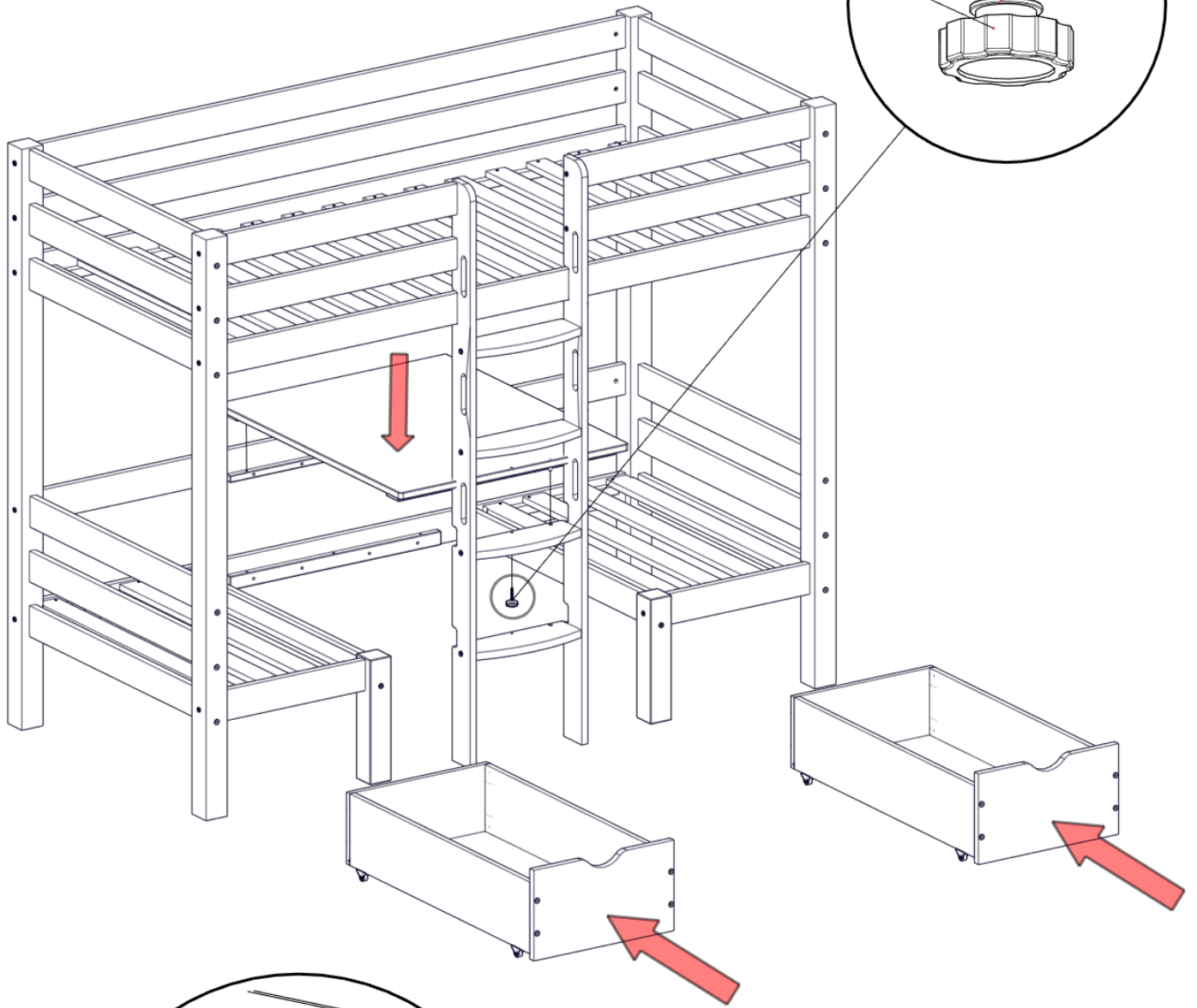
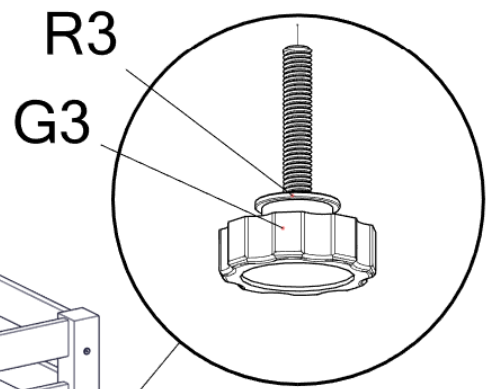
x2



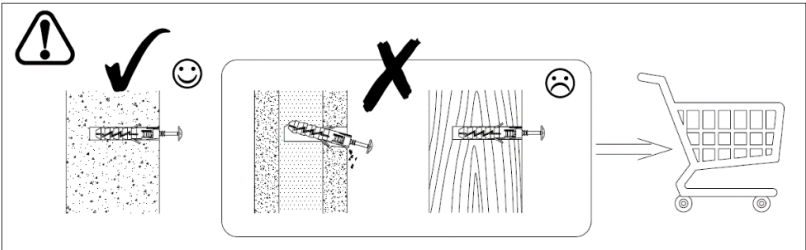
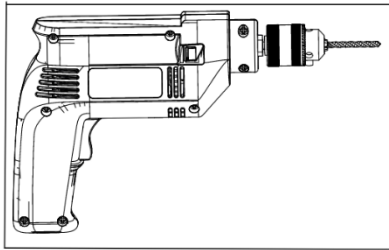
27

x2





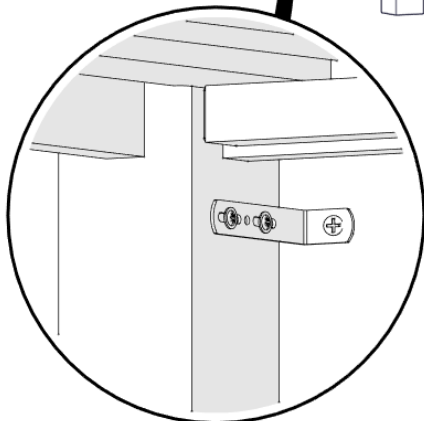
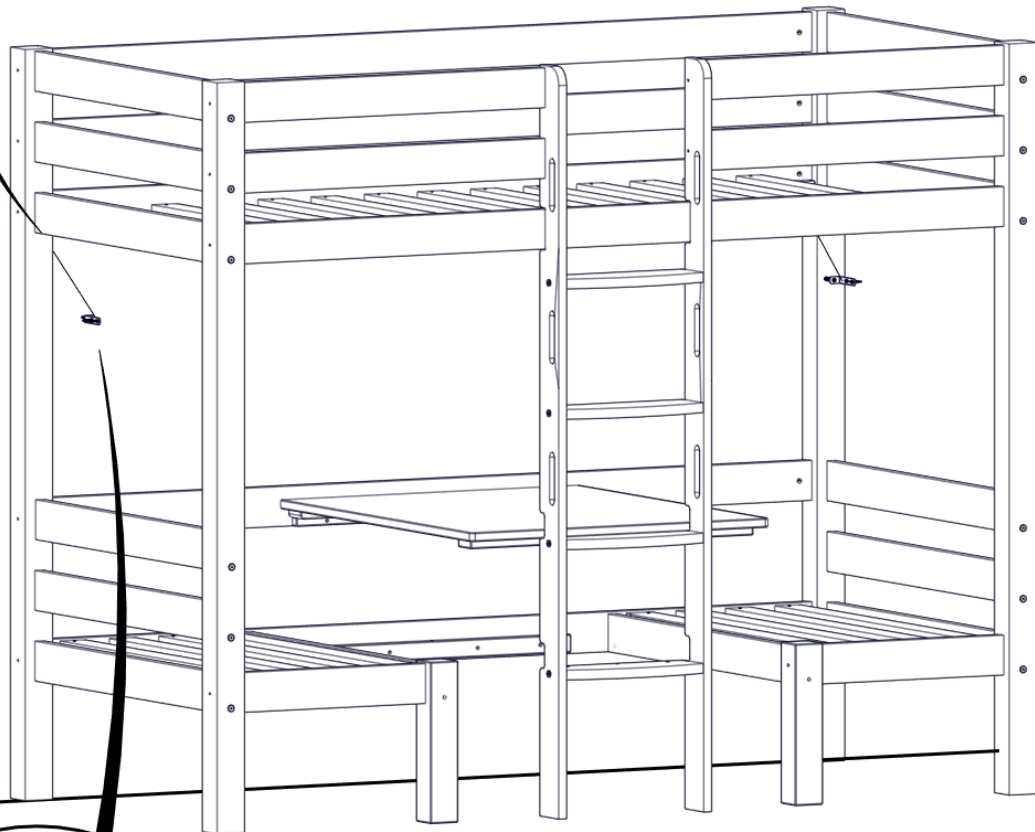
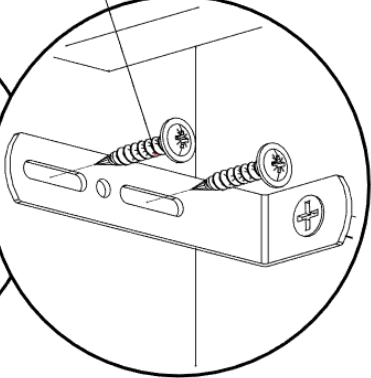
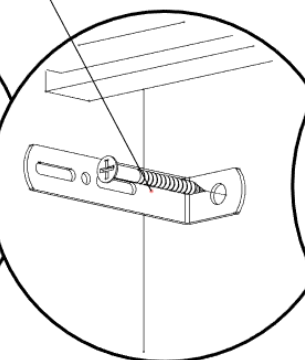
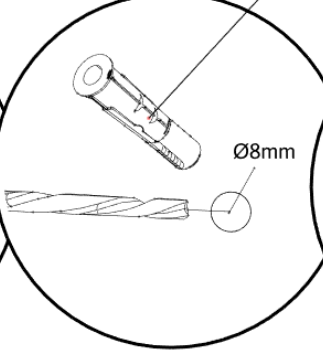
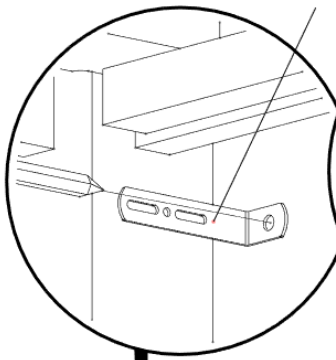
29

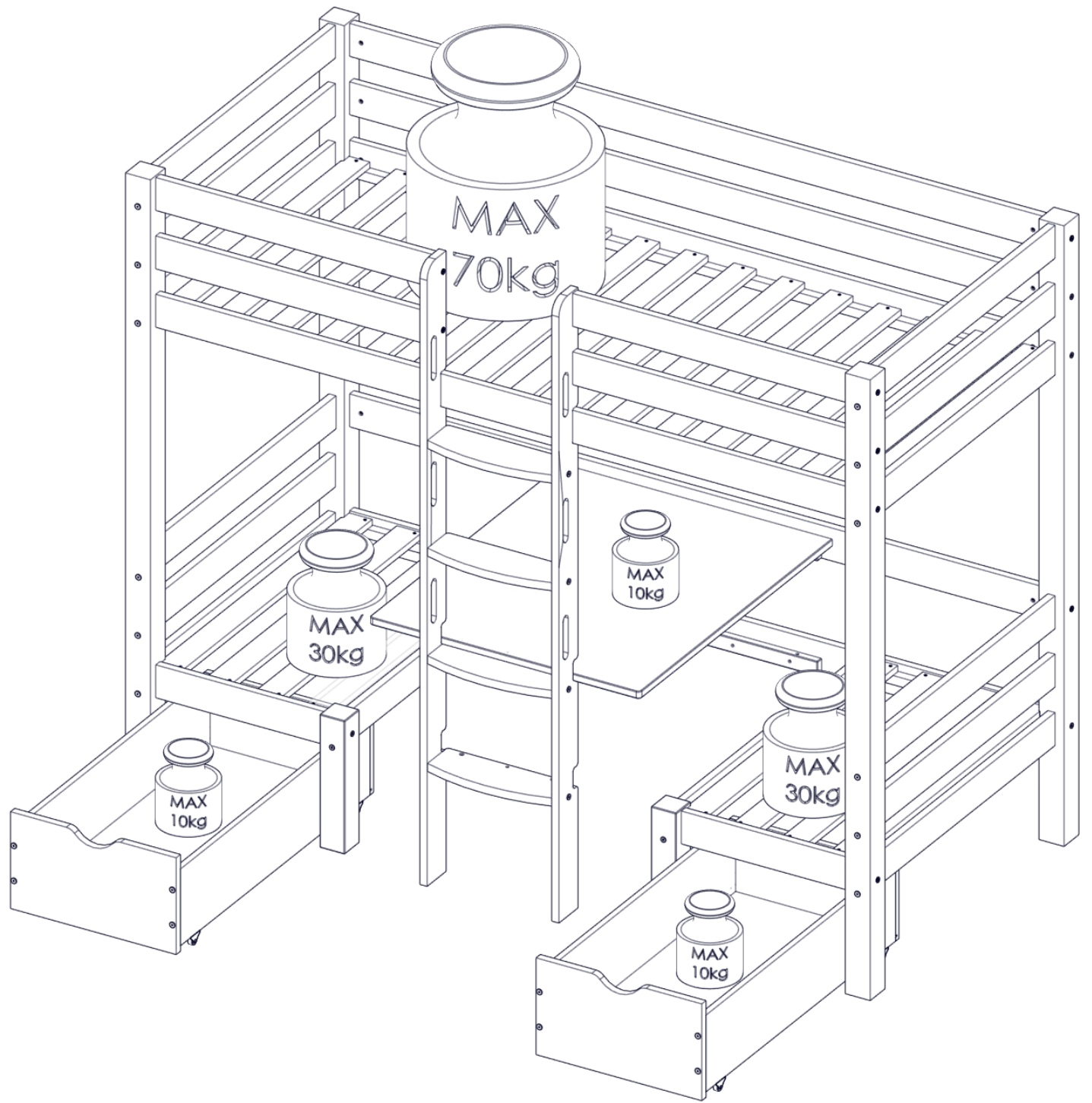


2x
R5

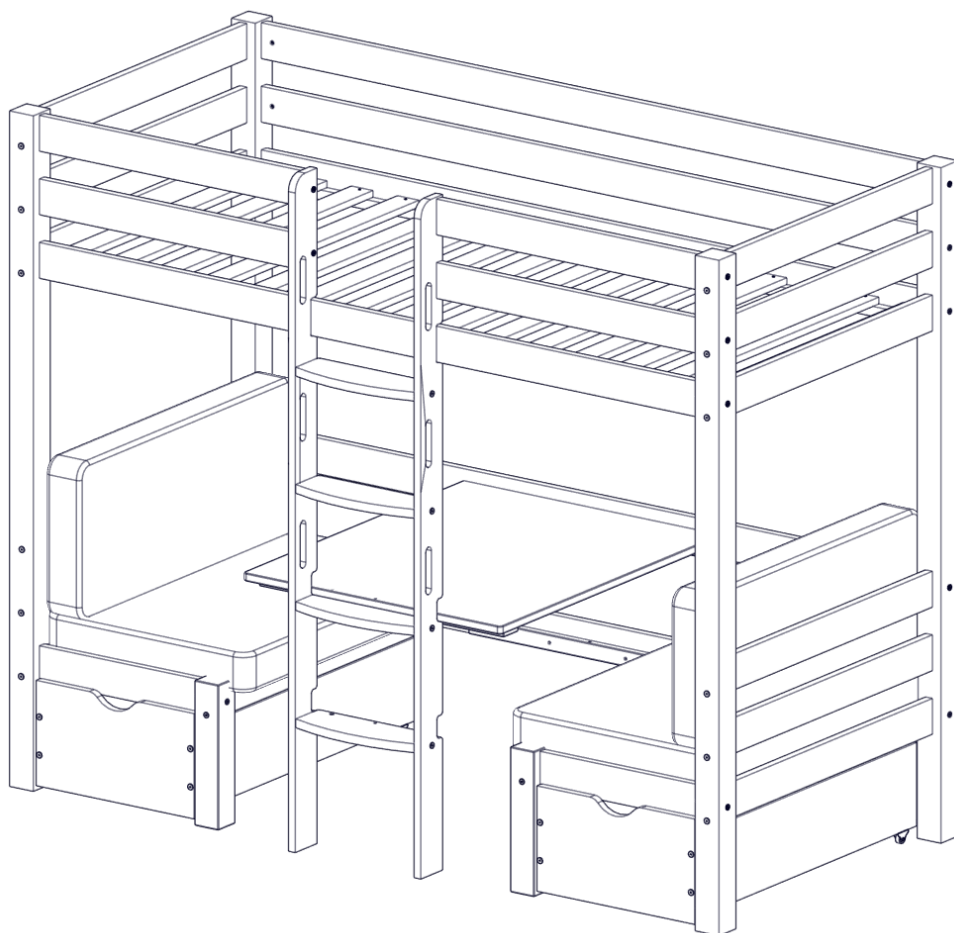
2x
V2

4x
V3





Opcja 1



Opcja 2

