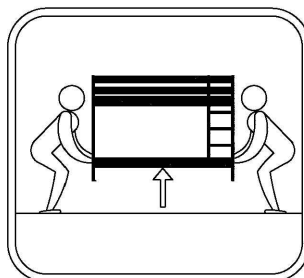
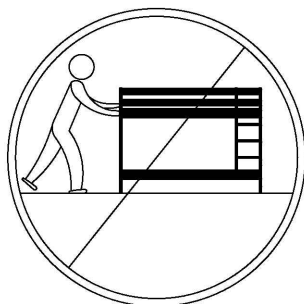
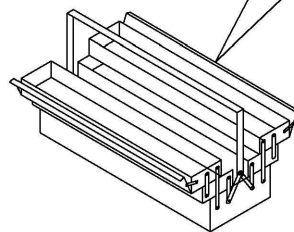
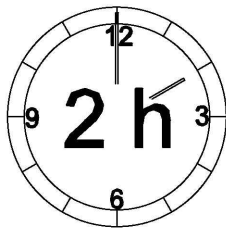
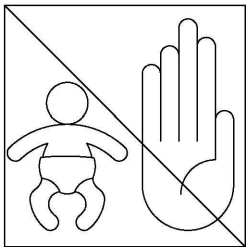
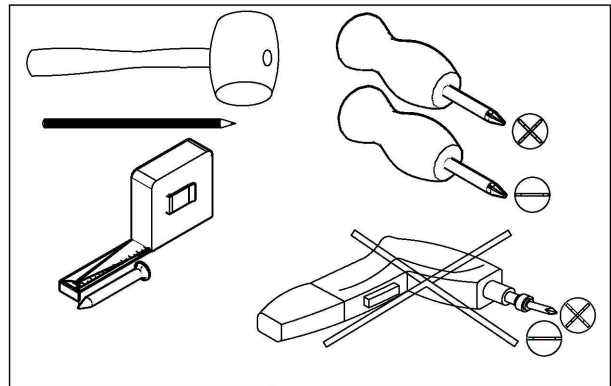
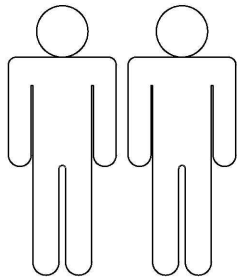
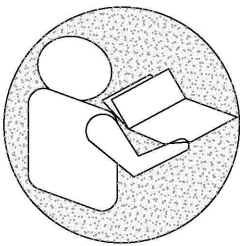
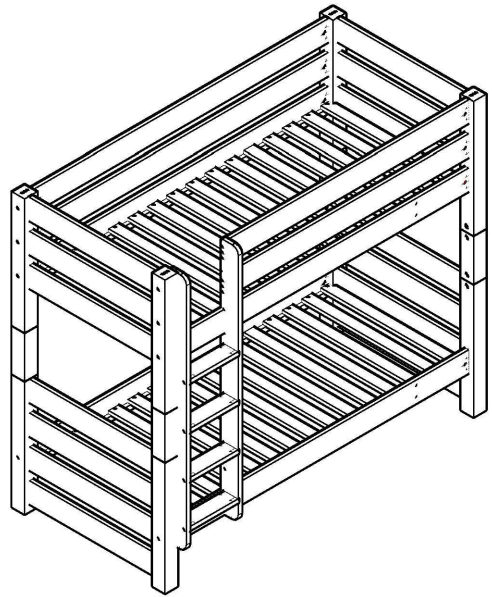
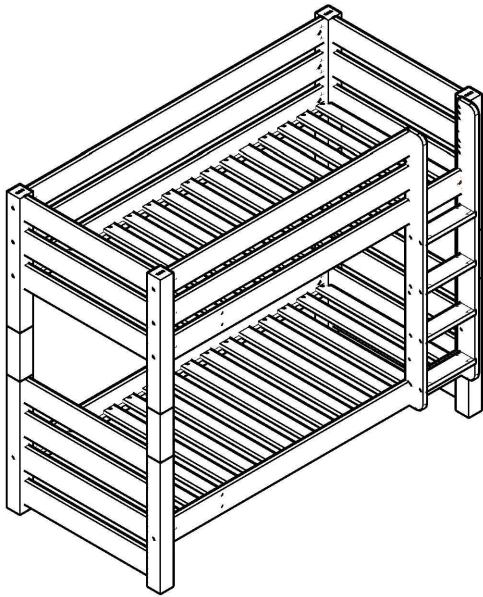
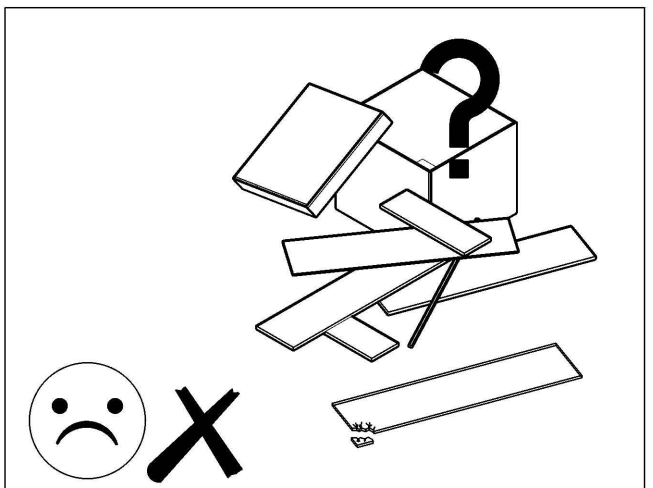
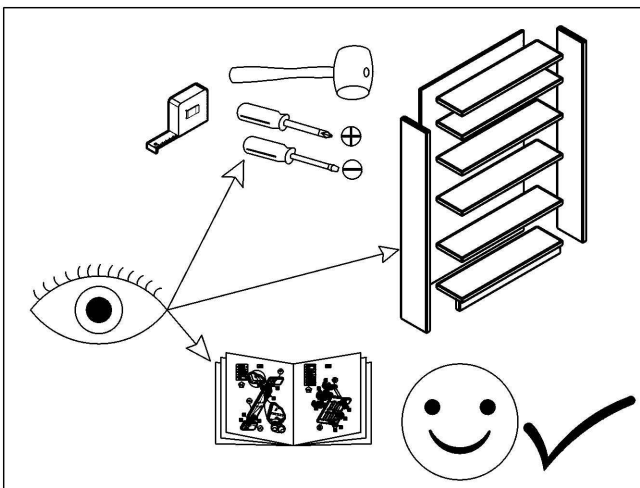
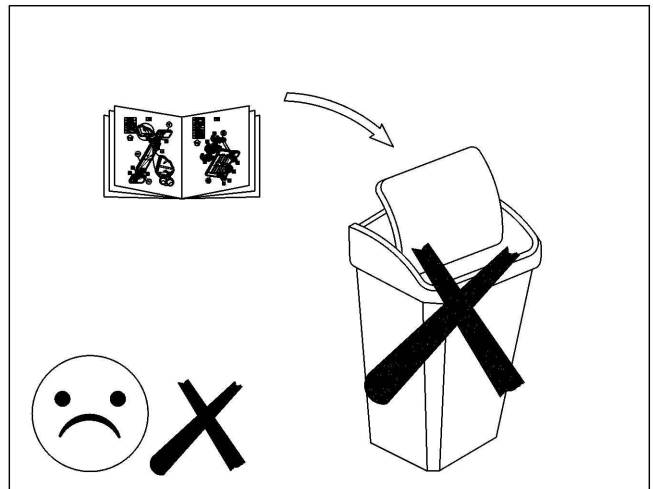
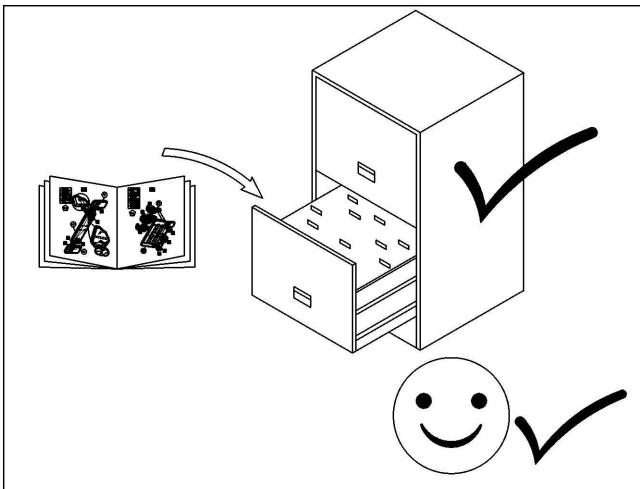
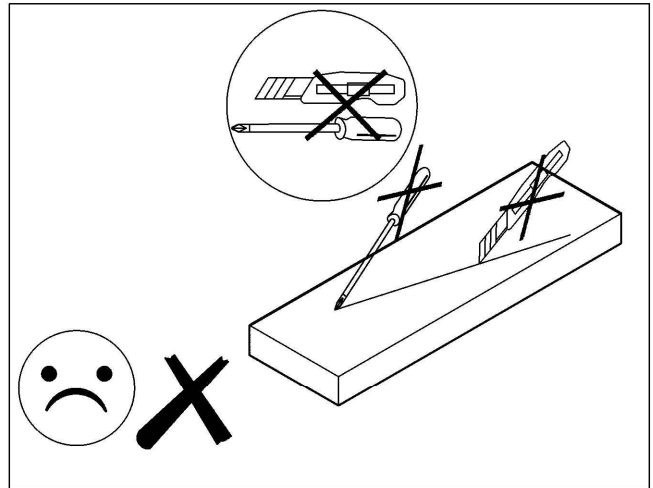
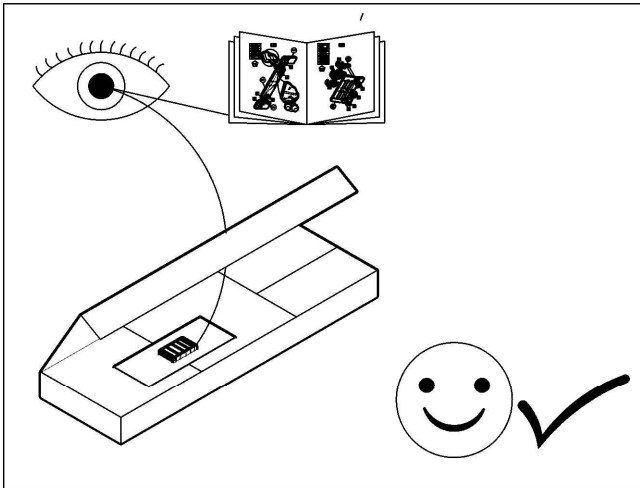
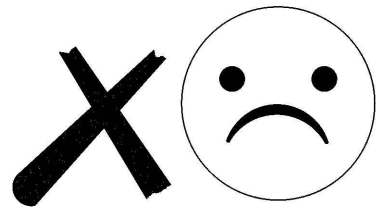
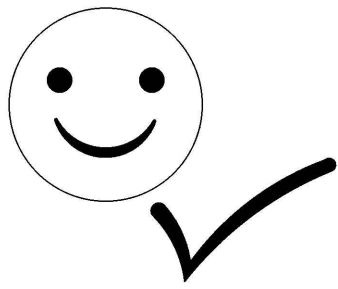
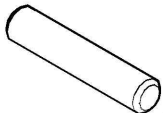

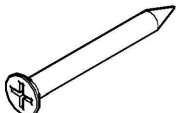
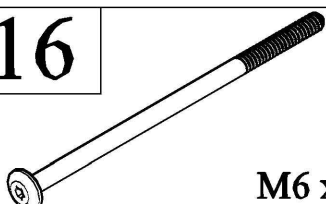
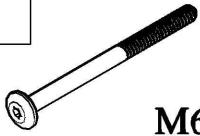

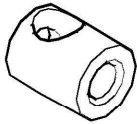

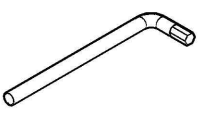
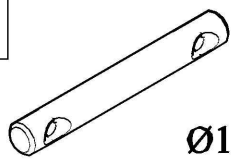
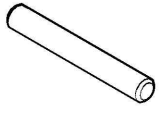
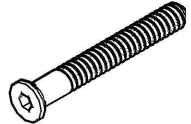
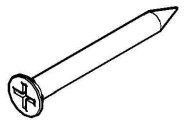

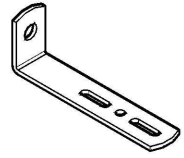
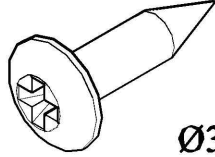
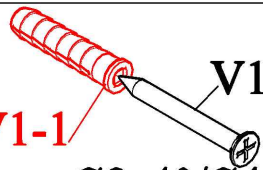
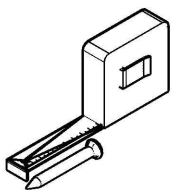


# JAN

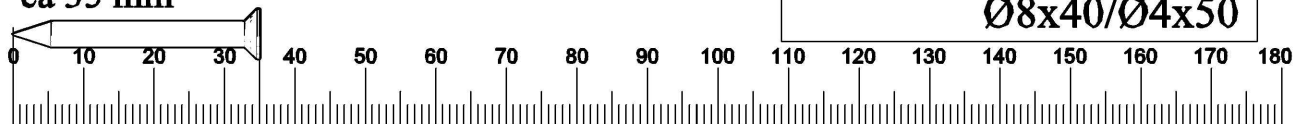


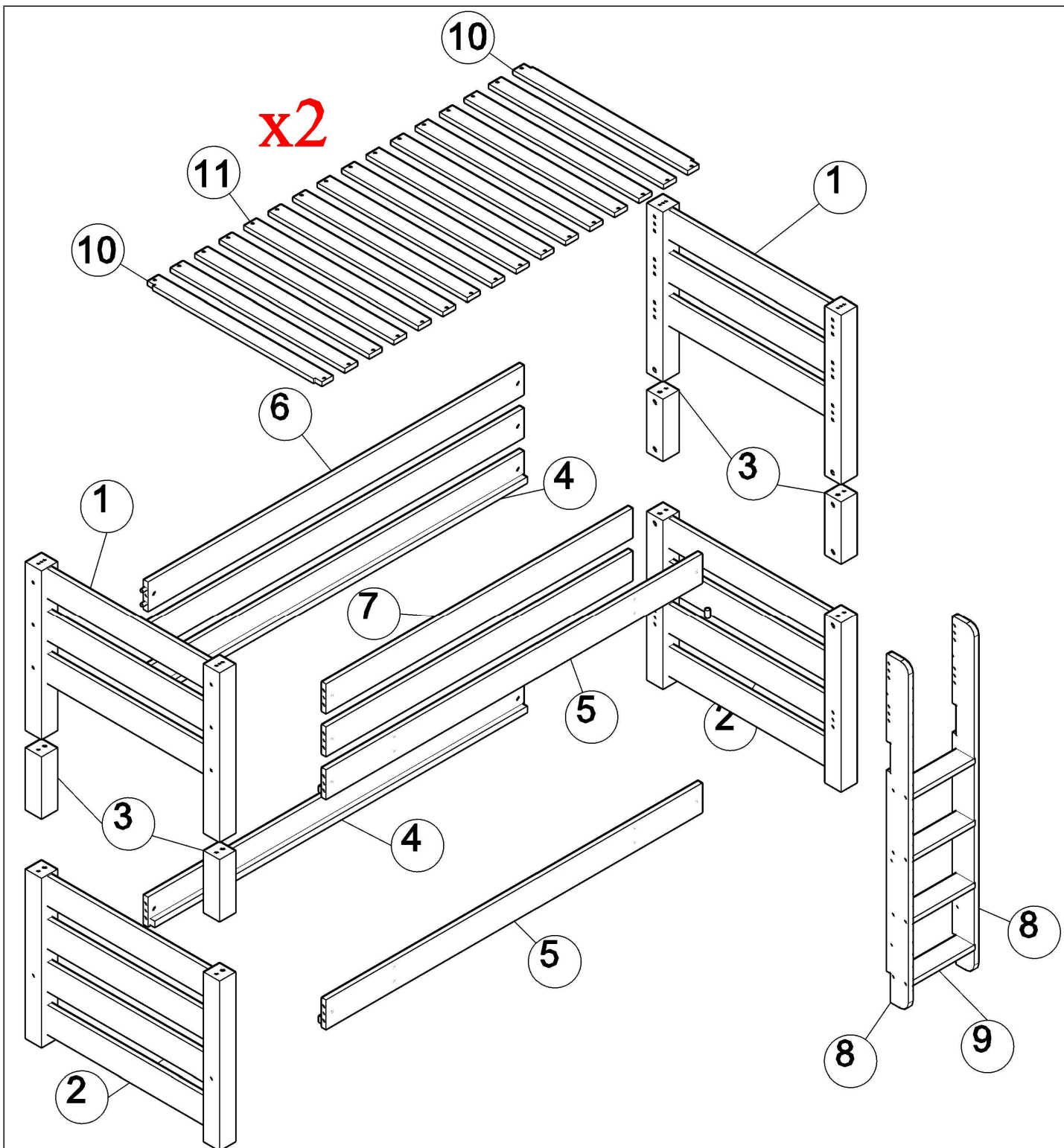


<b>K4</b> x 28  $\text{Ø}10 \times 40$	<b>H4</b> x 14  $\text{Ø}10 \times 13$
<b>S8</b> x 6  $\text{Ø}4 \times 60$	<b>J16</b> x 14  $M6 \times 120$
<b>J13</b> x 2  $M6 \times 93$	<b>H7</b> x 2  $M6/\text{Ø}8 \times 15$
<b>M3</b> x 16  $\text{Ø}16 \times 19$	<b>M5</b> x 16  $M10 \times 13$
<b>F2</b> x 1  $\text{HEX } 4 \text{ mm}$	<b>H5</b> x 8  $\text{Ø}10 \times 80$
<b>K9</b> x 8  $\text{Ø}8 \times 60$	<b>C3</b> x 20  $\text{Ø}7 \times 50$
<b>S5</b> x 64  $\text{Ø}3,5 \times 30$	<b>X1</b> x 2  $63,5 \times 25 \times 25$
<b>B2</b> x 2  $75 \times 25 \times 15$	<b>S3</b> x 2  $\text{Ø}3,5 \times 16$
	<b>V1</b> x 2  $\text{Ø}8 \times 40 / \text{Ø}4 \times 50$

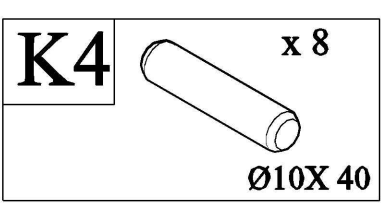
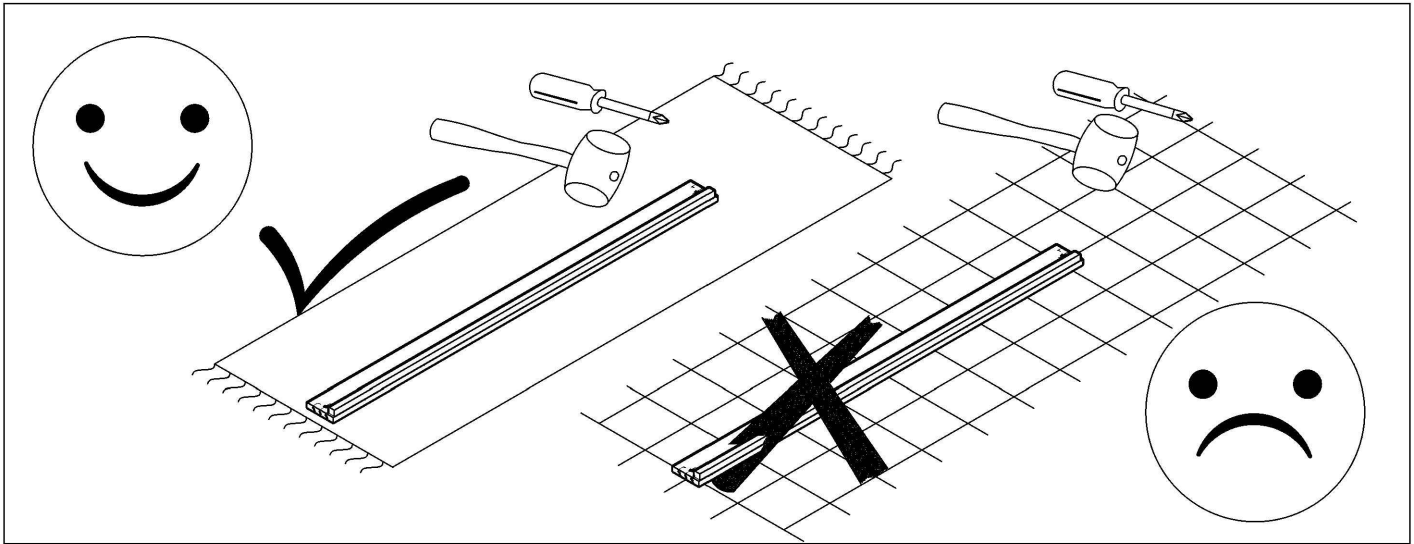


ca 35 mm



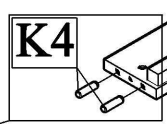


TEILE NR	ANZAHL	MASS L X B X T(MM)	✓	TEILE NR	ILOŚĆ	WYMIAR L X B X T(MM)	✓
<b>1</b>	<b>2</b>	998 X 695 X 78/20		<b>6</b>	<b>2</b>	1942 X 130 X 20	
<b>2</b>	<b>2</b>	998 X 695 X 78/20		<b>7</b>	<b>2</b>	1542 X 130 X 20	
<b>3</b>	<b>4</b>	335 X 78 X 78		<b>8</b>	<b>2</b>	1549 X 110 X 20	
<b>4</b>	<b>2</b>	1942 X 130 X 20		<b>9</b>	<b>4</b>	320 X 90 X 25	
<b>5</b>	<b>2</b>	1942 X 130 X 20		<b>10</b>	<b>4</b>	898 X 63 X 17	
				<b>11</b>	<b>28</b>	898 X 63 X 17	

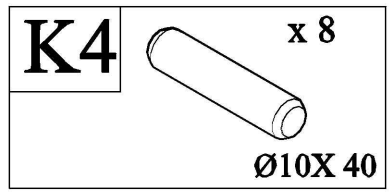
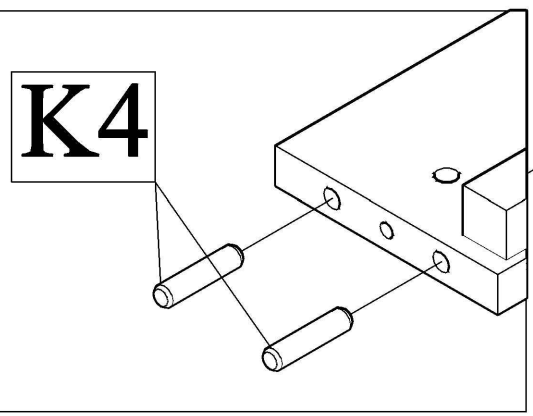


1

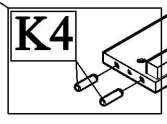
4 x2

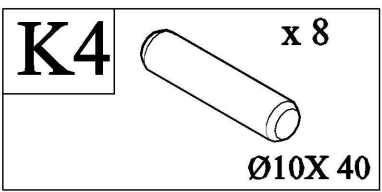


2

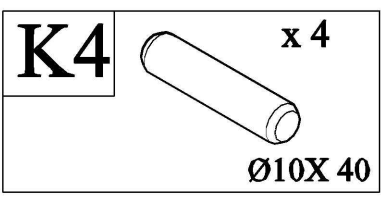
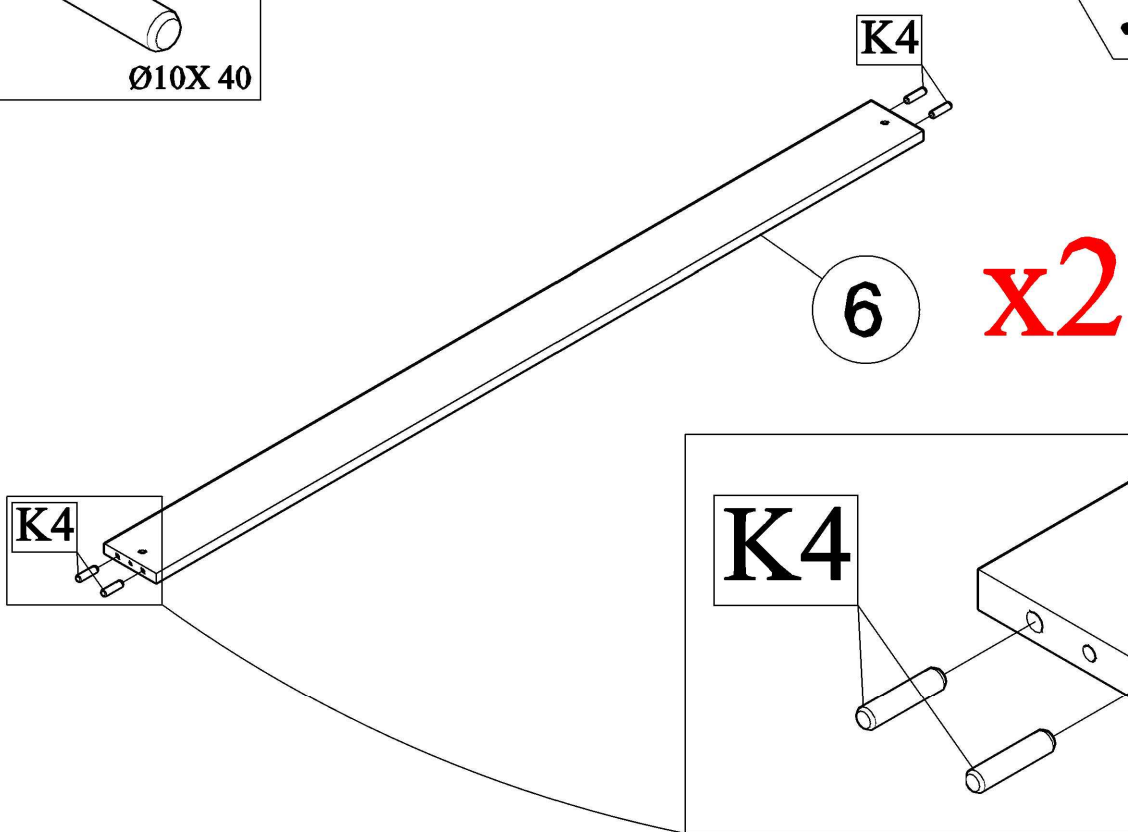


5 x2

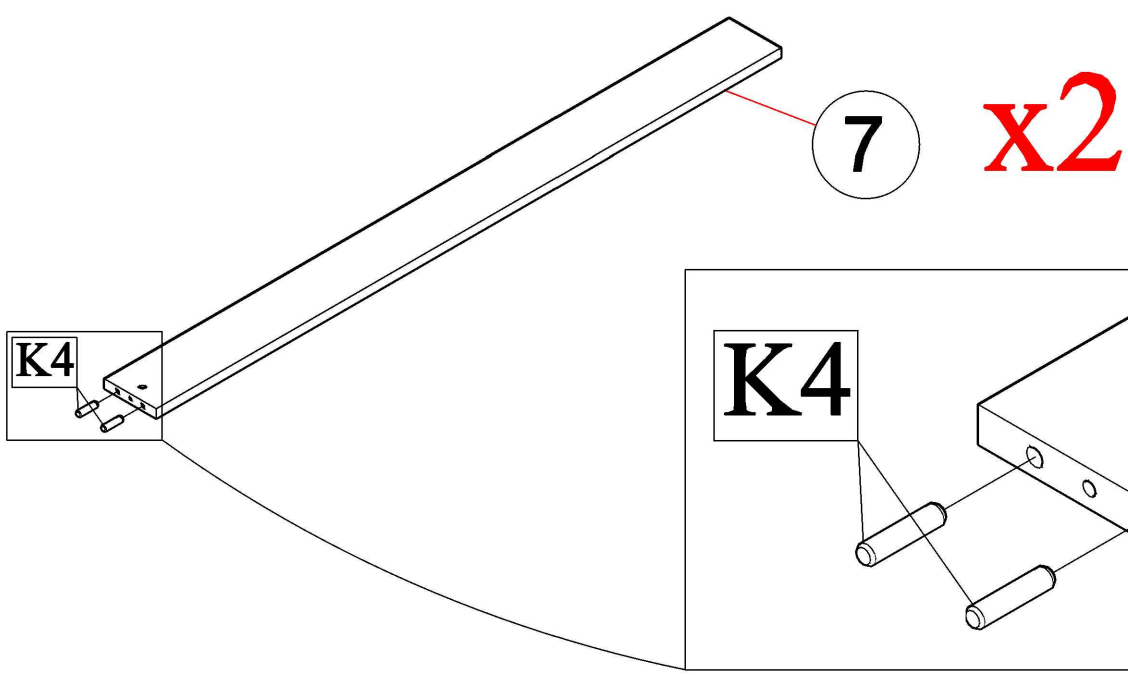




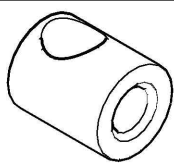
3



4



M3

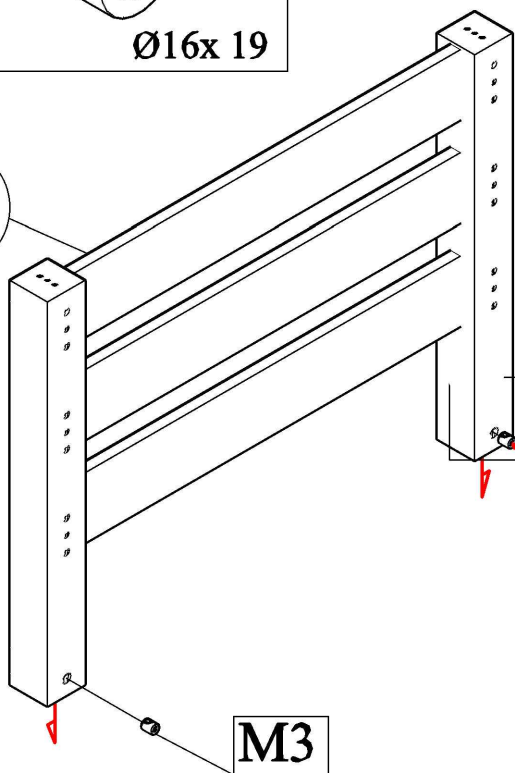


x 4

Ø16x 19

5

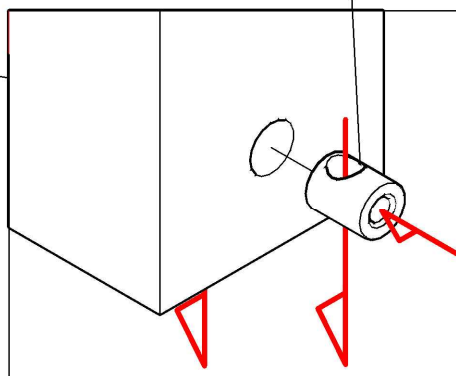
1



x2

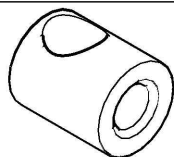
M3

M3



M3

M3

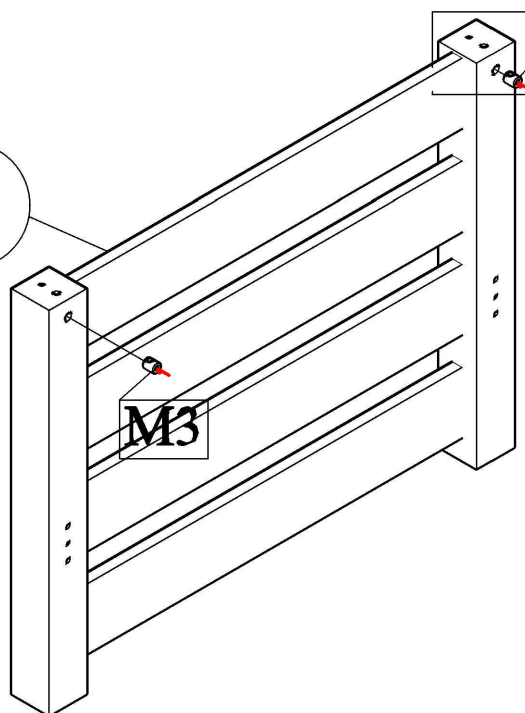


x 4

Ø16x 19

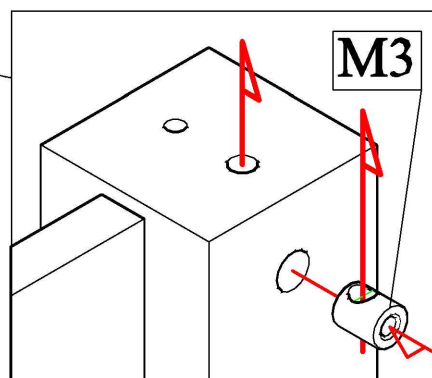
6

2



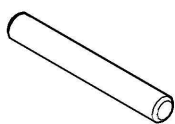
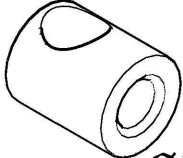

M3

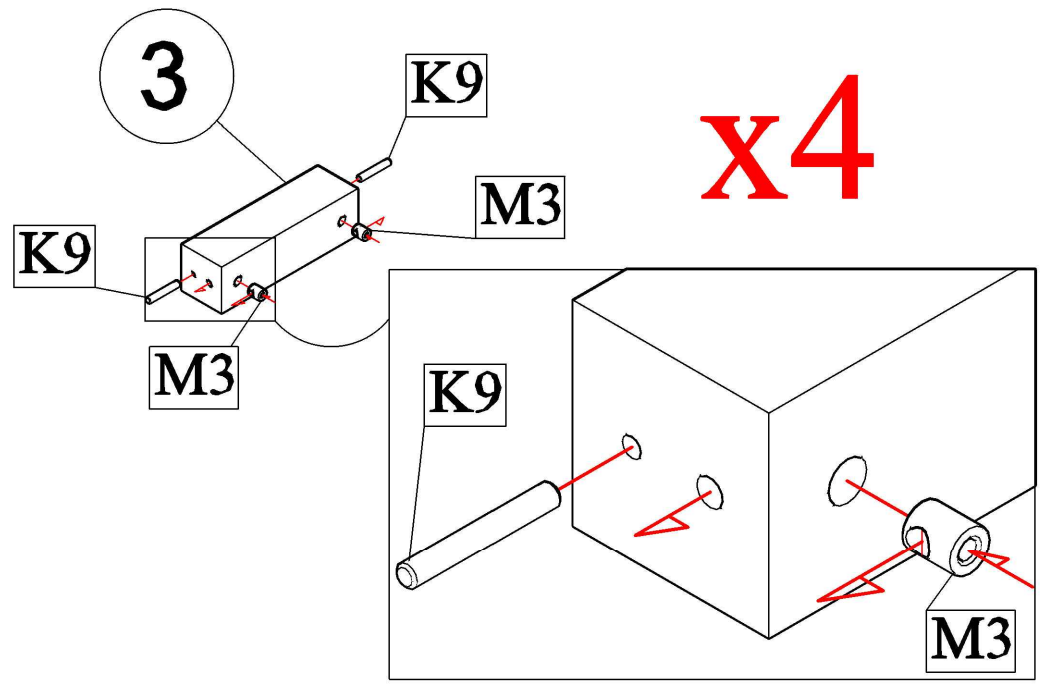
M3


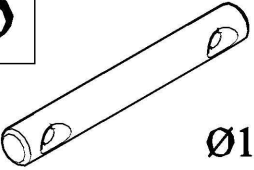
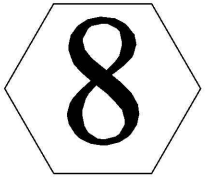


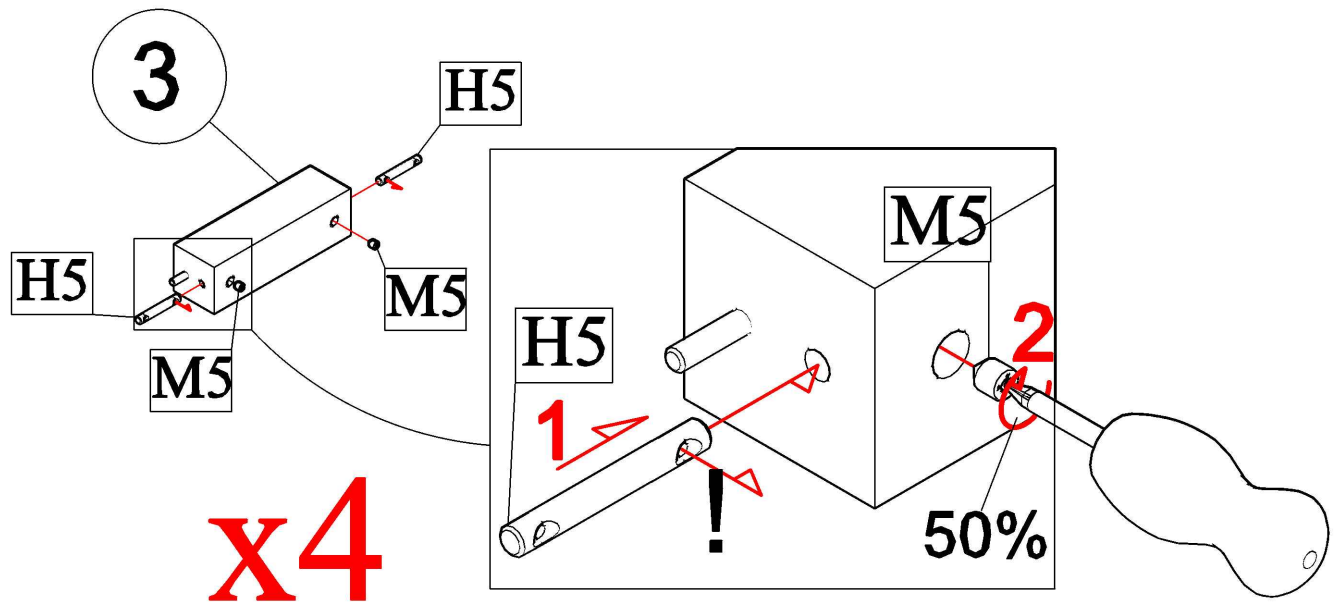
M3

x2

<b>K9</b>	 x 8 Ø8 x 60	<b>M3</b>	 x 8 Ø16x 19	 <b>7</b>
-----------	---	-----------	---	---



<b>M5</b>	 x 8 M10 x 13	<b>H5</b>	 x 8 Ø10x 80	 <b>8</b>
-----------	--	-----------	---	---





M5

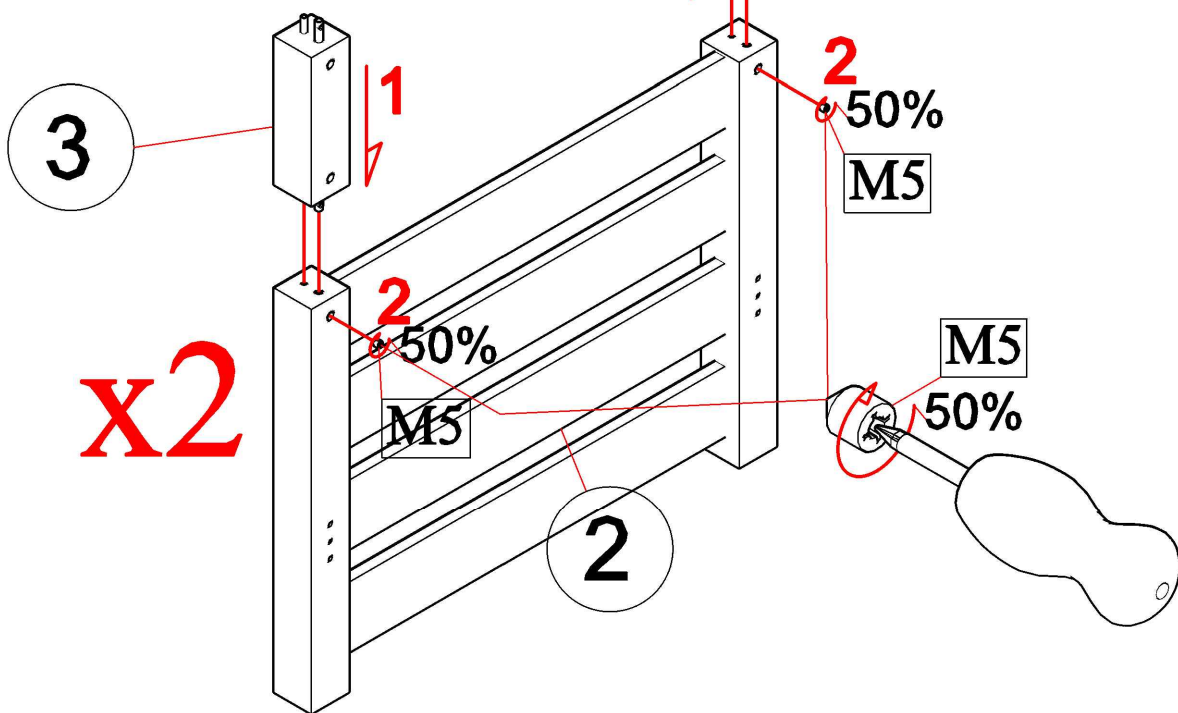
x 4



M10 x 13

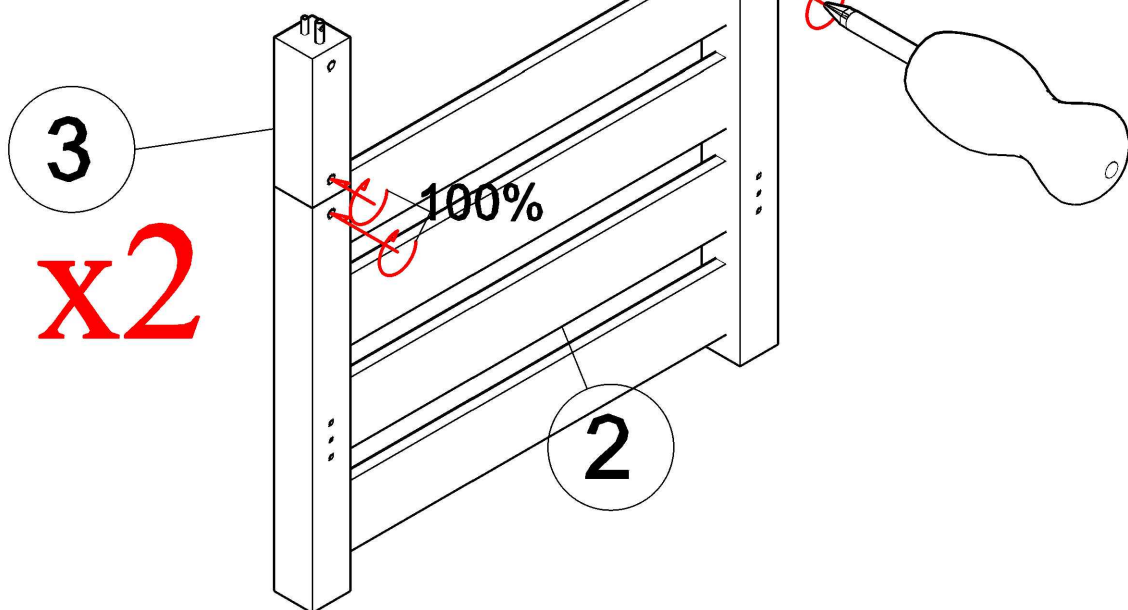
3


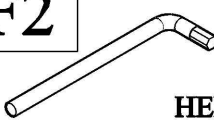
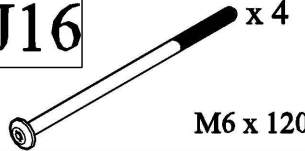
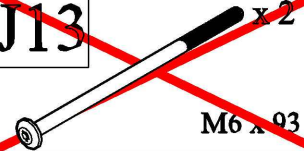
9

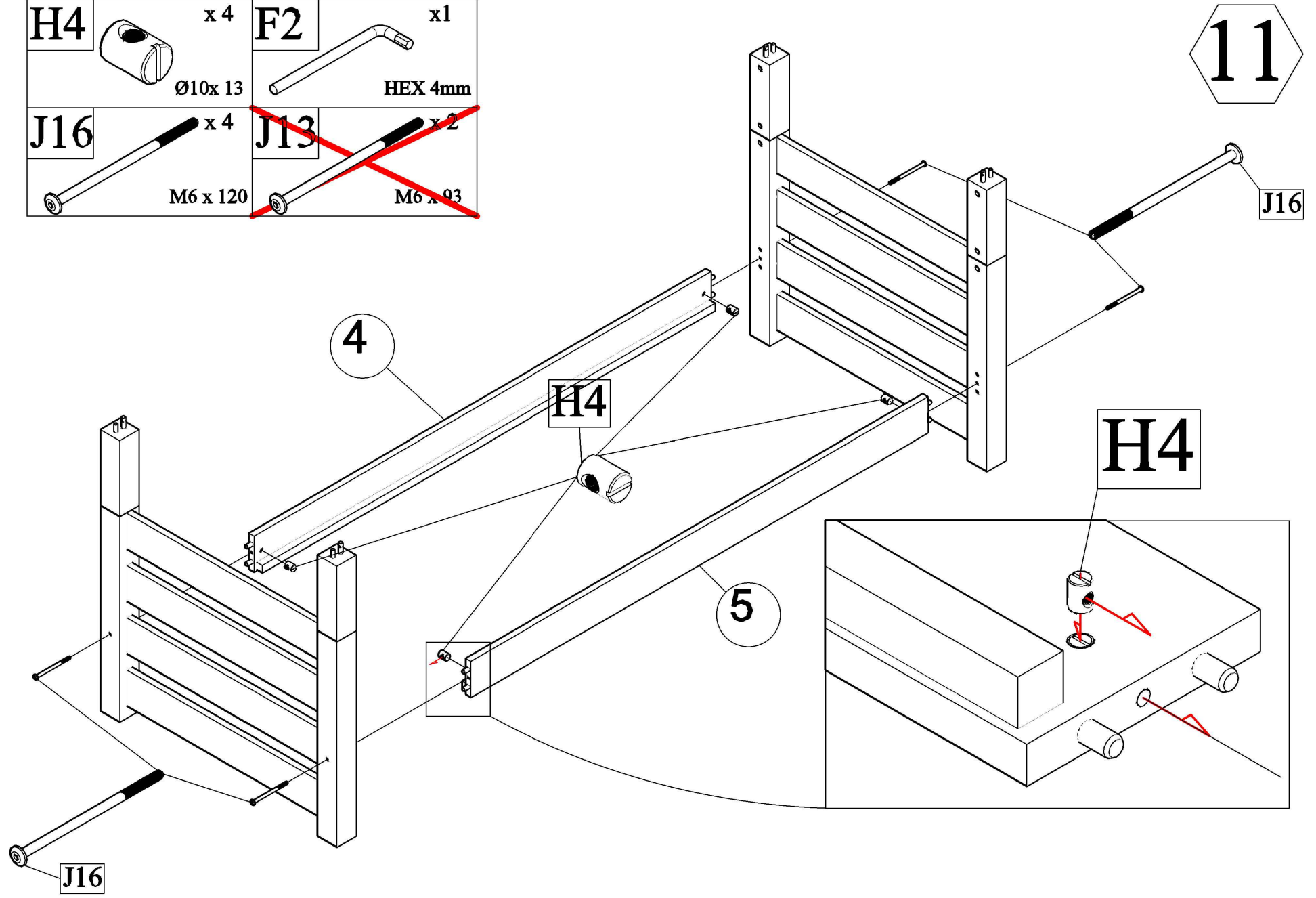




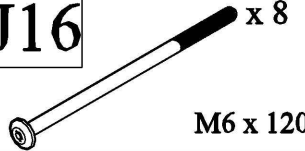
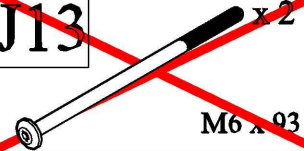
3

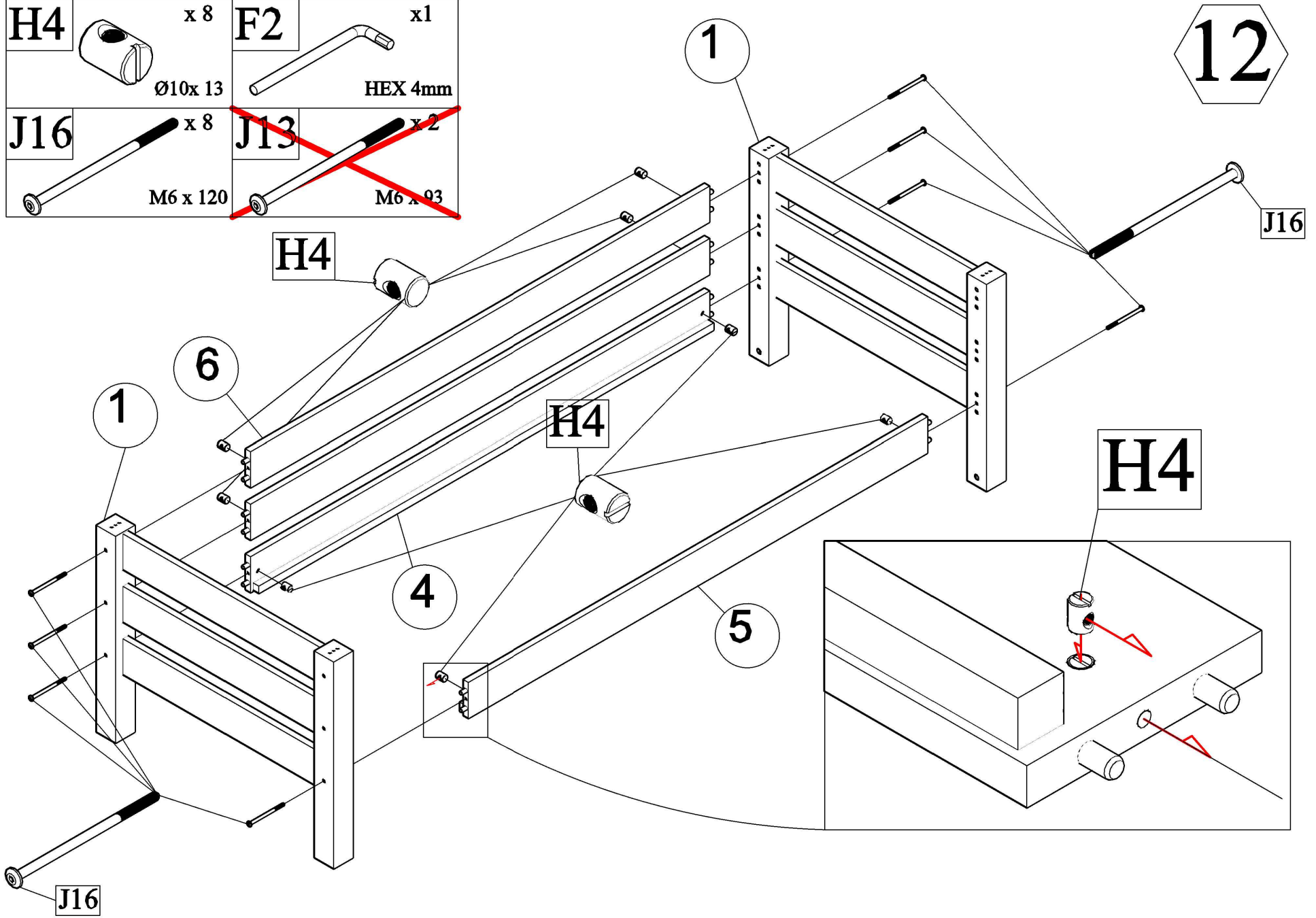
10

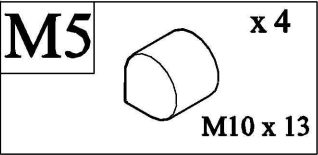


<b>H4</b>	 Ø10x 13	<b>F2</b>	 HEX 4mm
<b>J16</b>	 M6 x 120	<del><b>J13</b></del>	<del> M6 x 93</del>



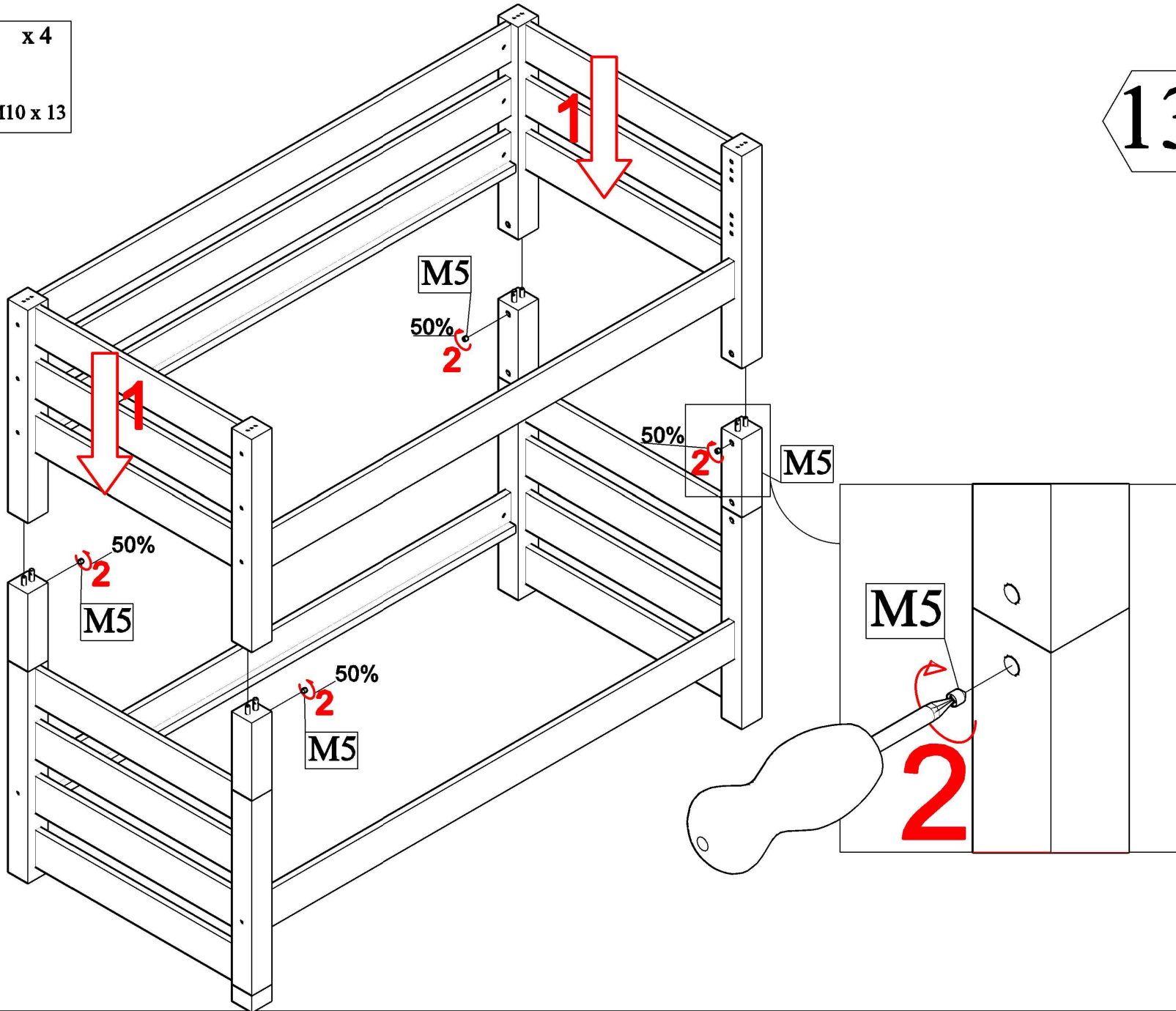
<b>H4</b>	 Ø10x 13	<b>F2</b>	 HEX 4mm
<b>J16</b>	 M6 x 120	<del><b>J13</b></del>	<del> M6 x 93</del>



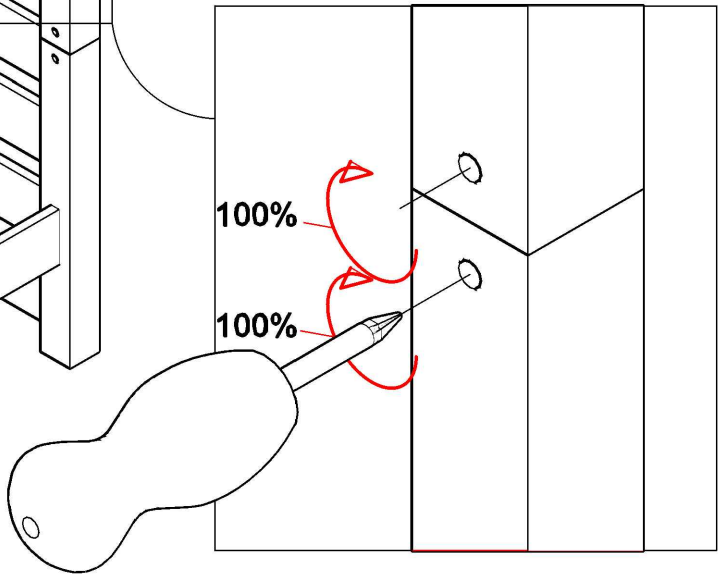
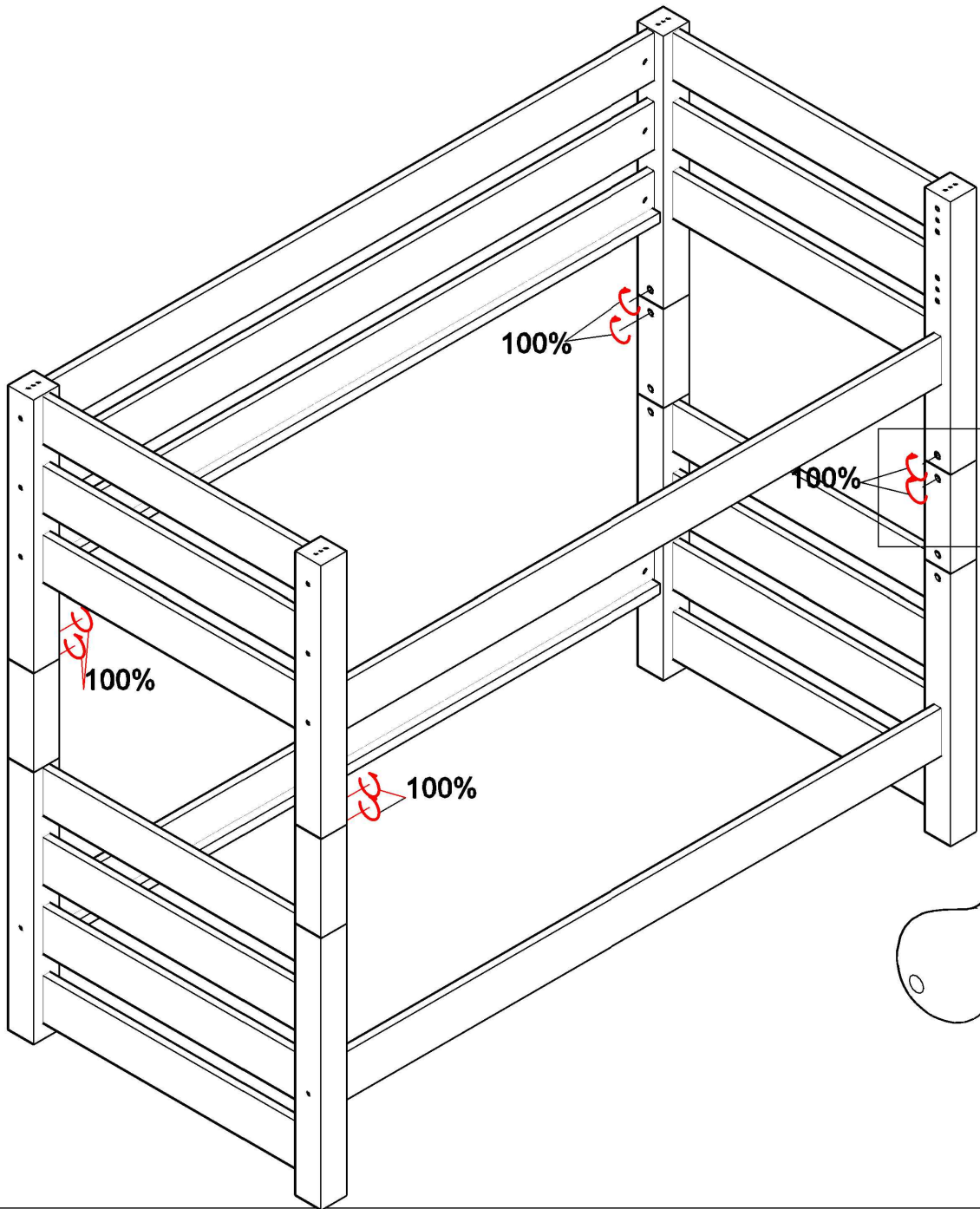


13

12/24

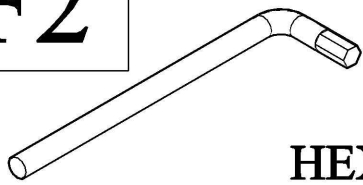


13/24



**F2**

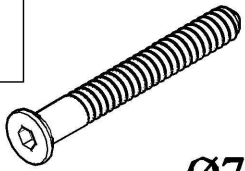
x1



HEX 4mm

**C3**

x16



Ø7 x 50

**15**

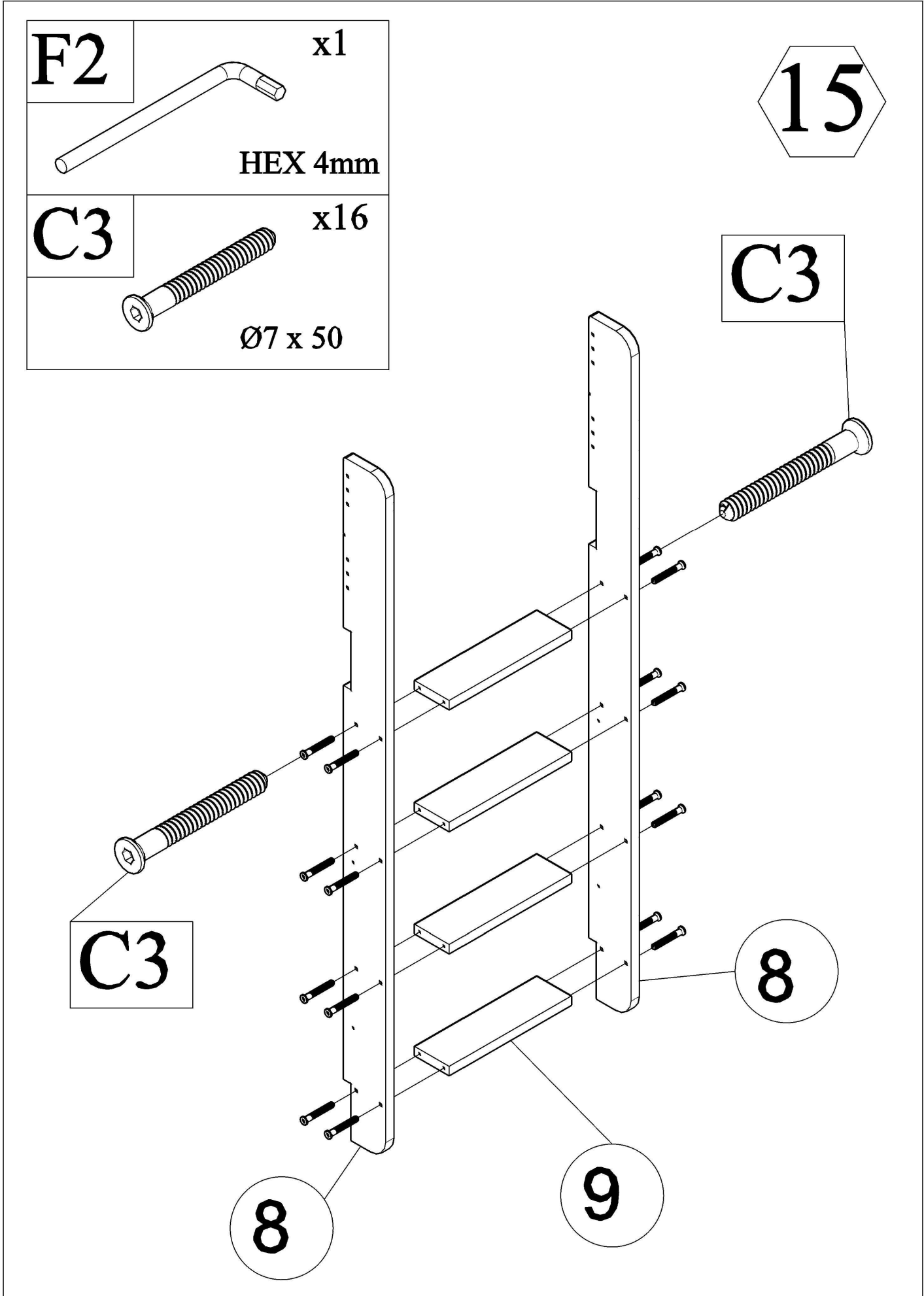
**C3**

**C3**

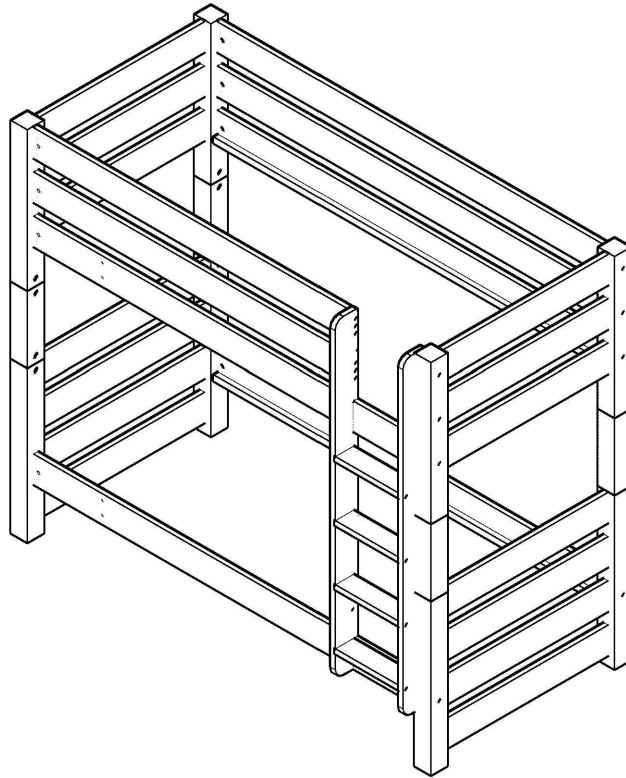
**8**

**9**

**8**

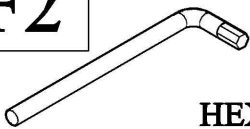


# R



**F2**

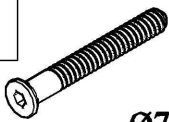
x1



HEX 4mm

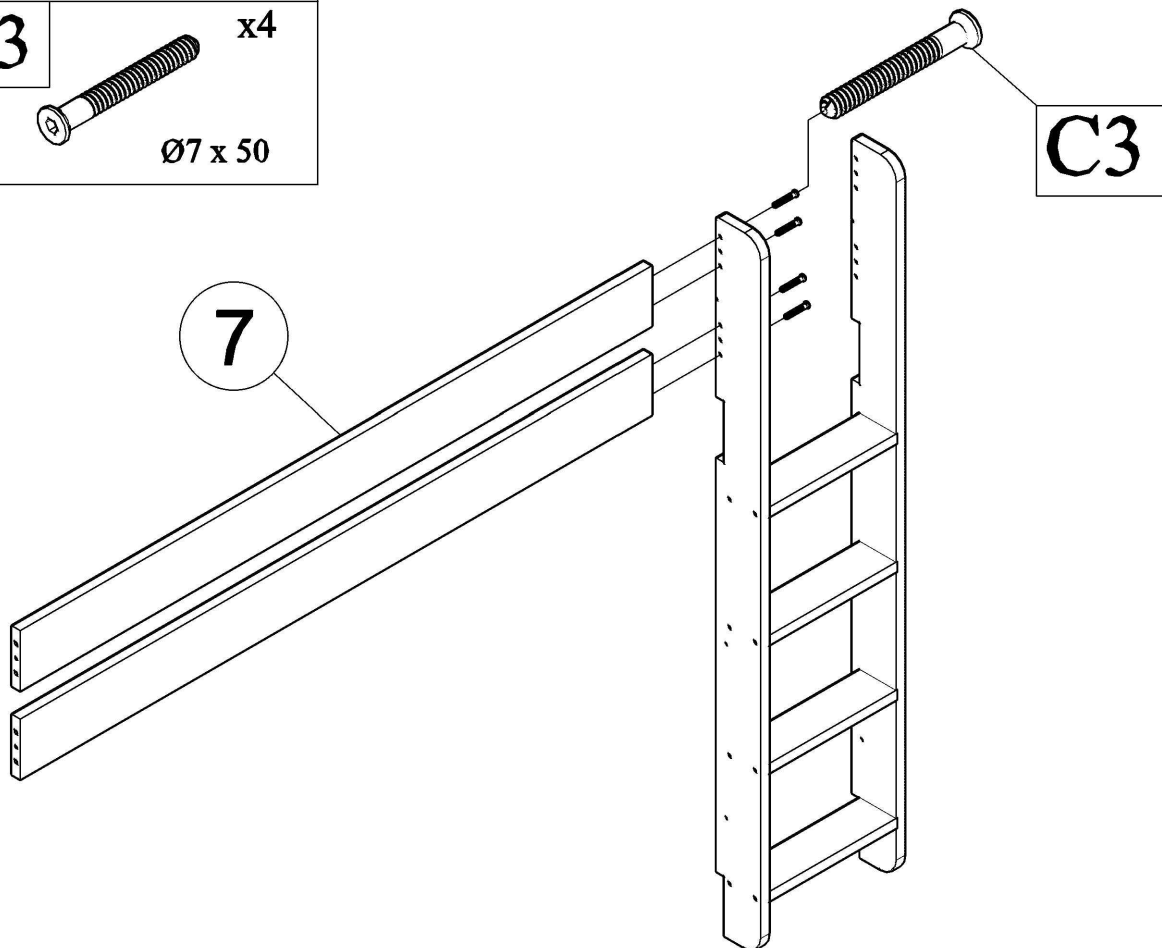
**C3**

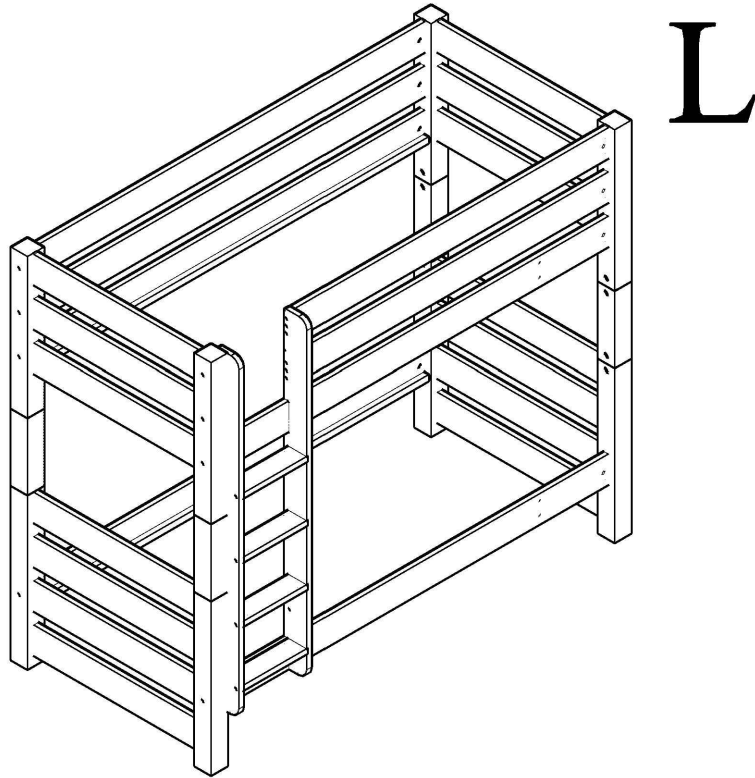
x4



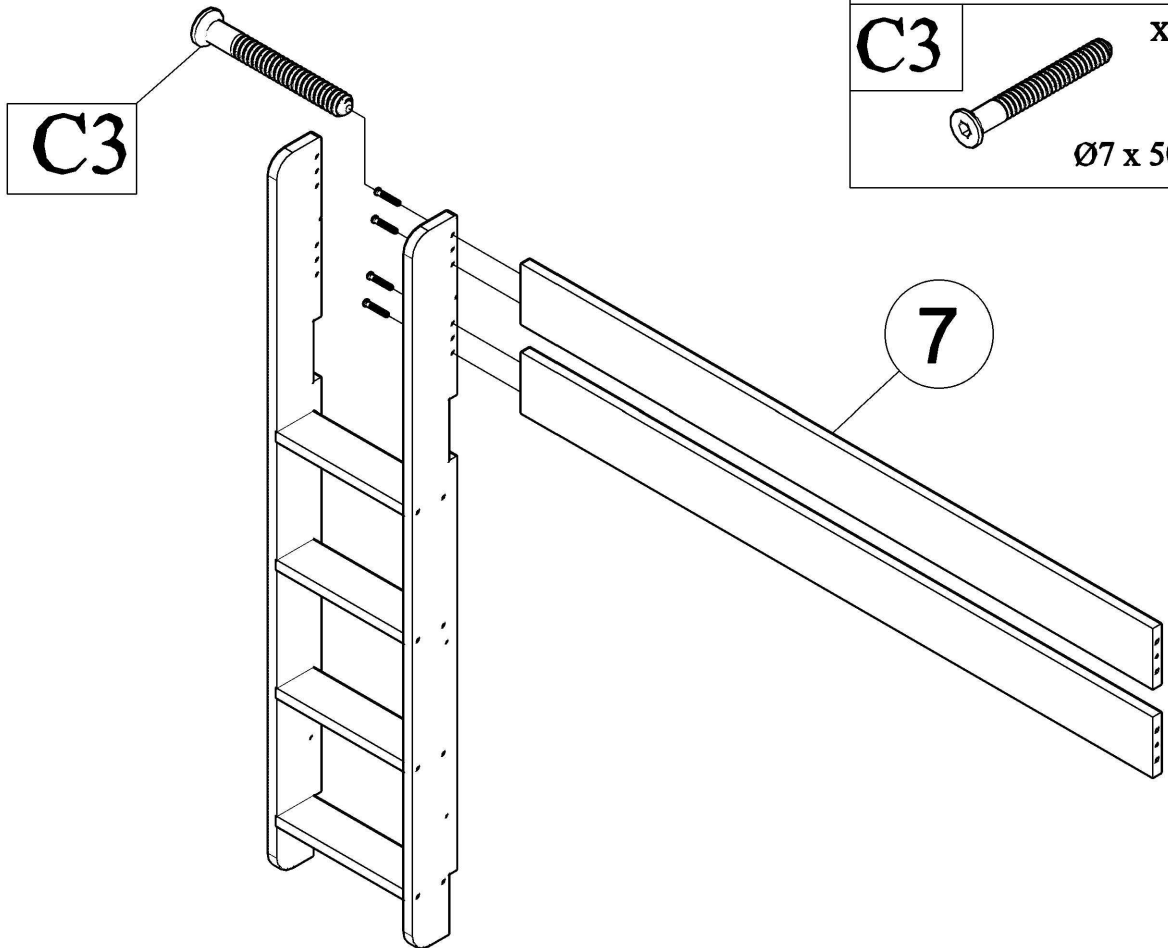
Ø7 x 50

**16 R**



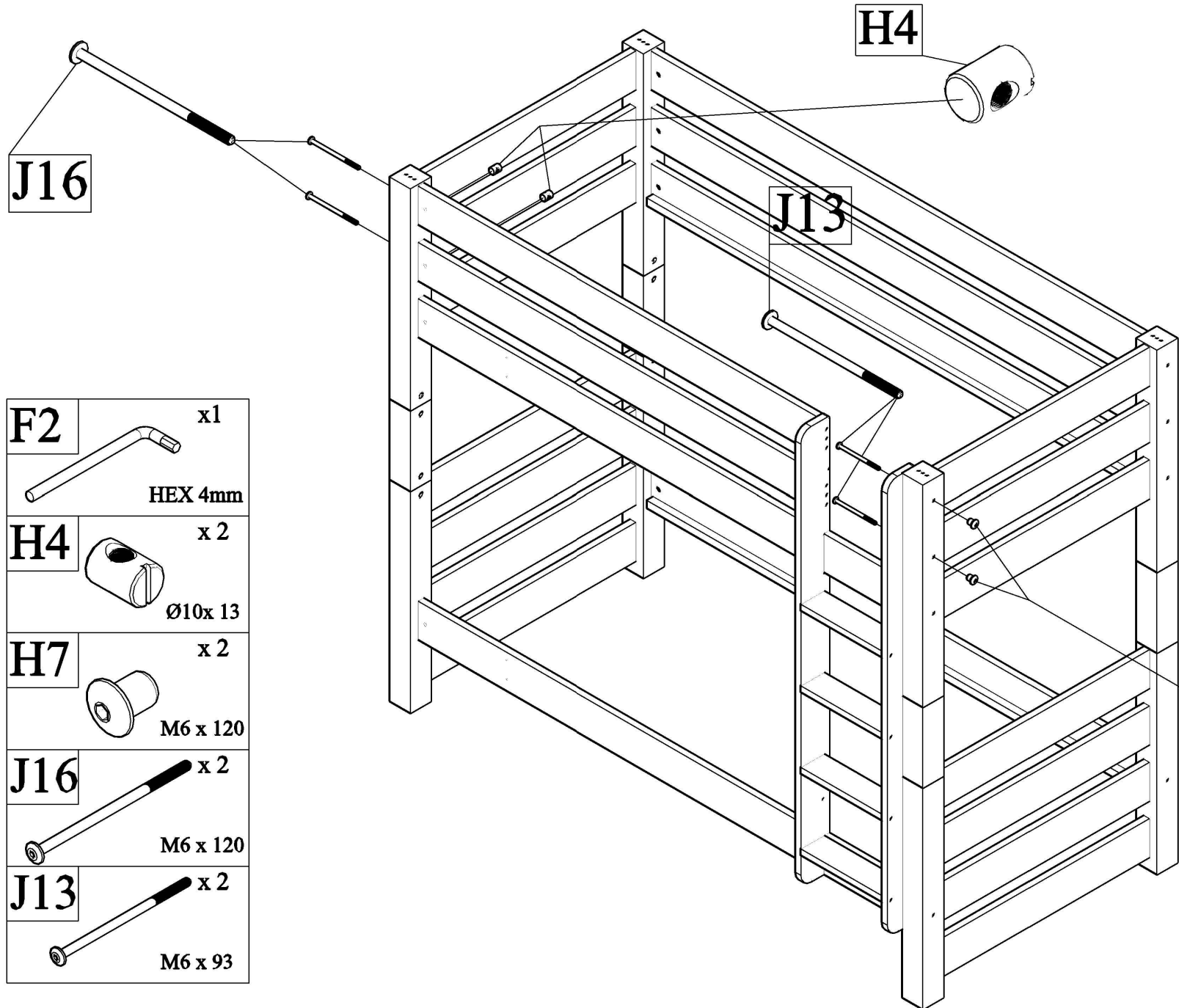


**16 L**




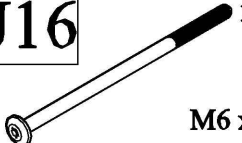





# 17 R

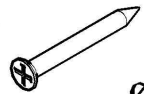


17/24

- |   |          |
|---|----------|
| <b>F2</b>   | x1       |
|    |          |
|   | HEX 4mm  |
| <b>H4</b>   | x 2      |
|    |          |
|   | Ø10x 13  |
| <b>H7</b>   | x 2      |
|  |          |
|   | M6 x 120 |
| <b>J16</b>  | x 2      |
|  |          |
|   | M6 x 120 |
| <b>J13</b>  | x 2      |
|  |          |
|   | M6 x 93  |

S8

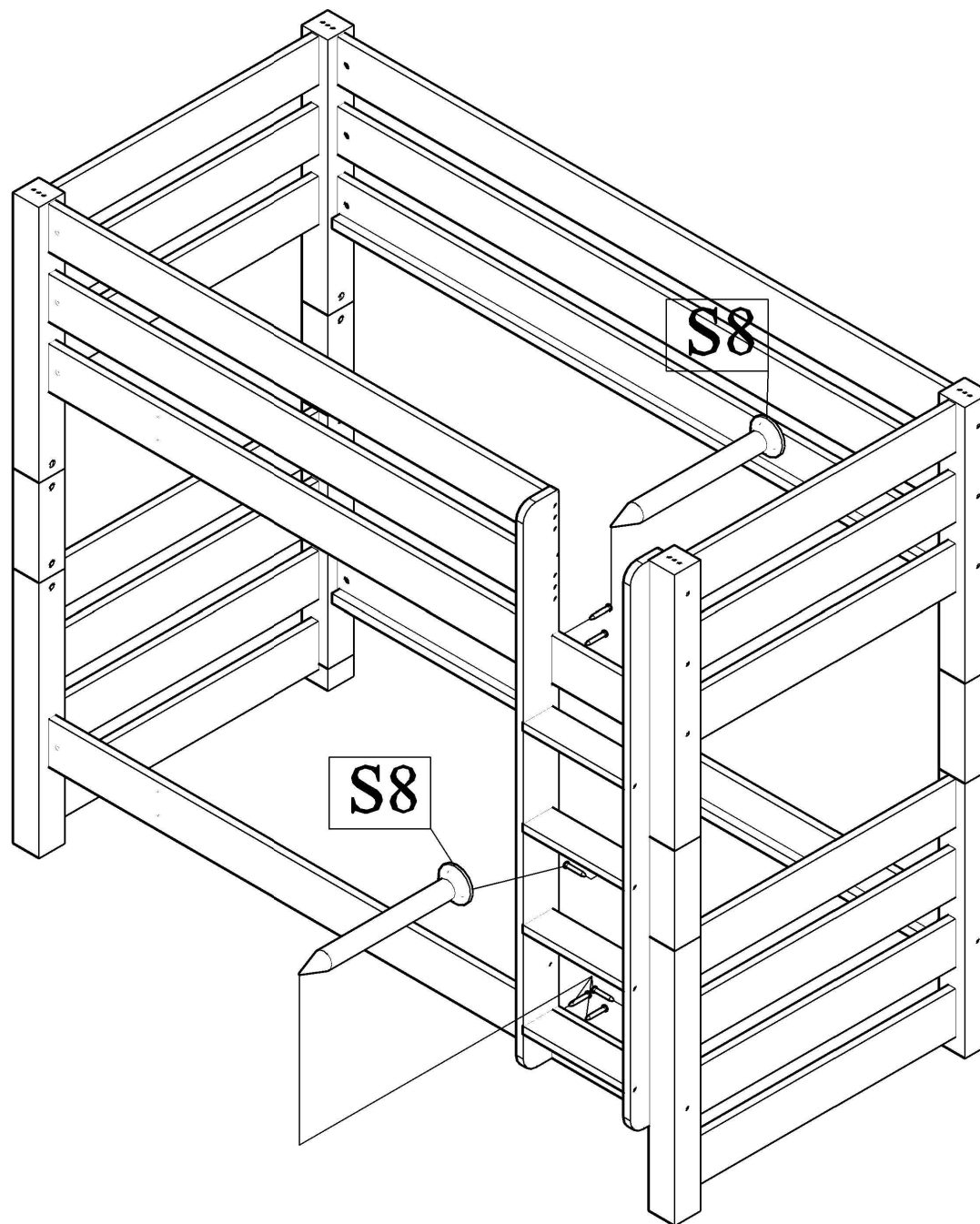
x 6



Ø4 X 60

18R

18/24



17 L

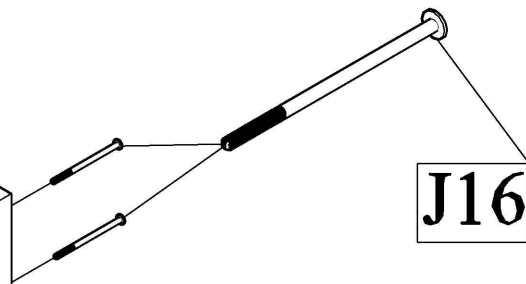
H4



J13



J16



H7

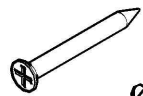


19/24

<b>F2</b>	x1	
		HEX 4mm
<b>H4</b>	x 2	
		Ø10x 13
<b>H7</b>	x 2	
		M6 x 120
<b>J16</b>	x 2	
		M6 x 120
<b>J13</b>	x 2	
		M6 x 93

S8

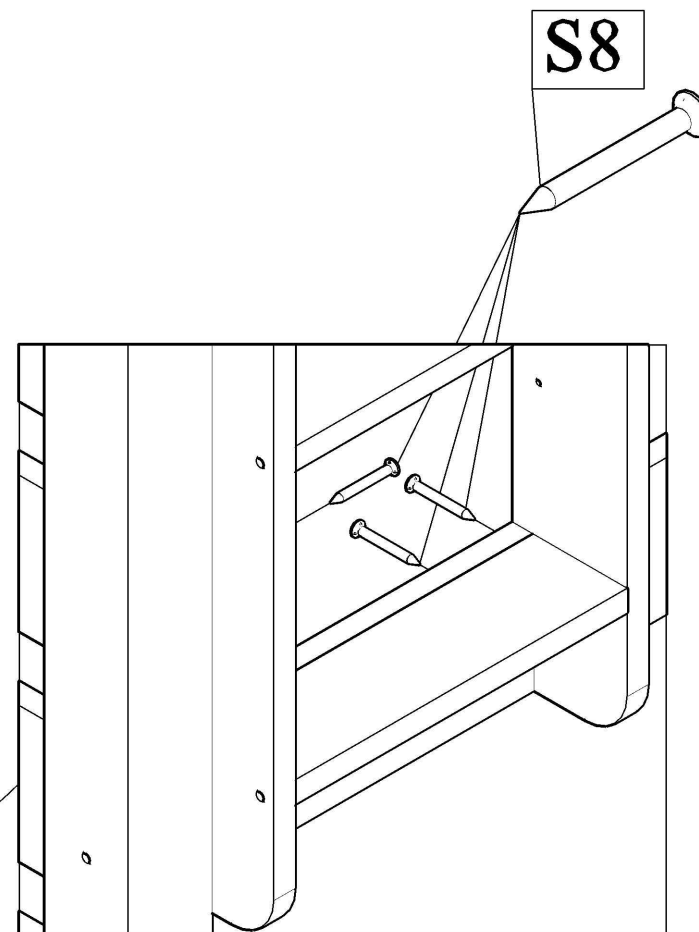
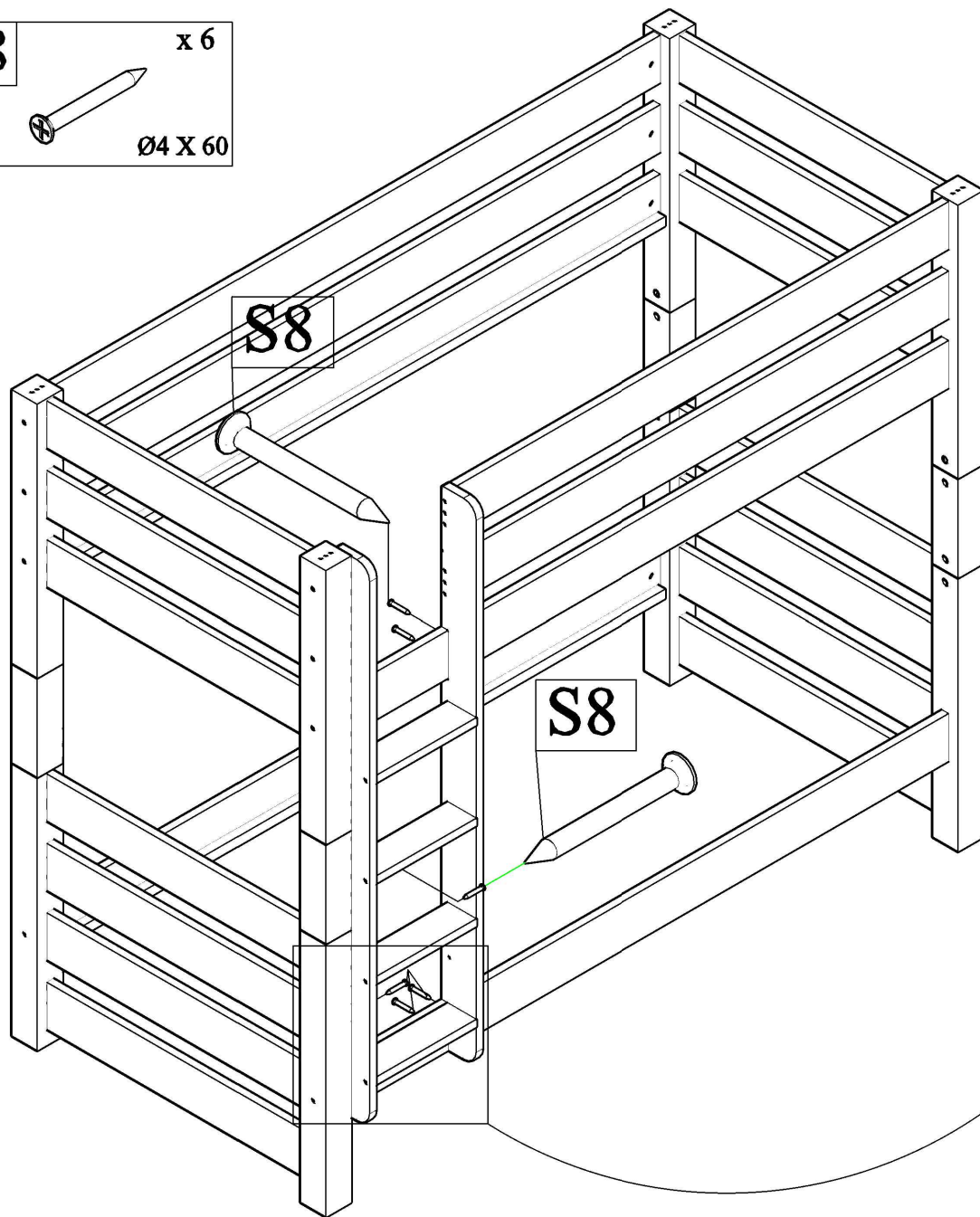
x 6



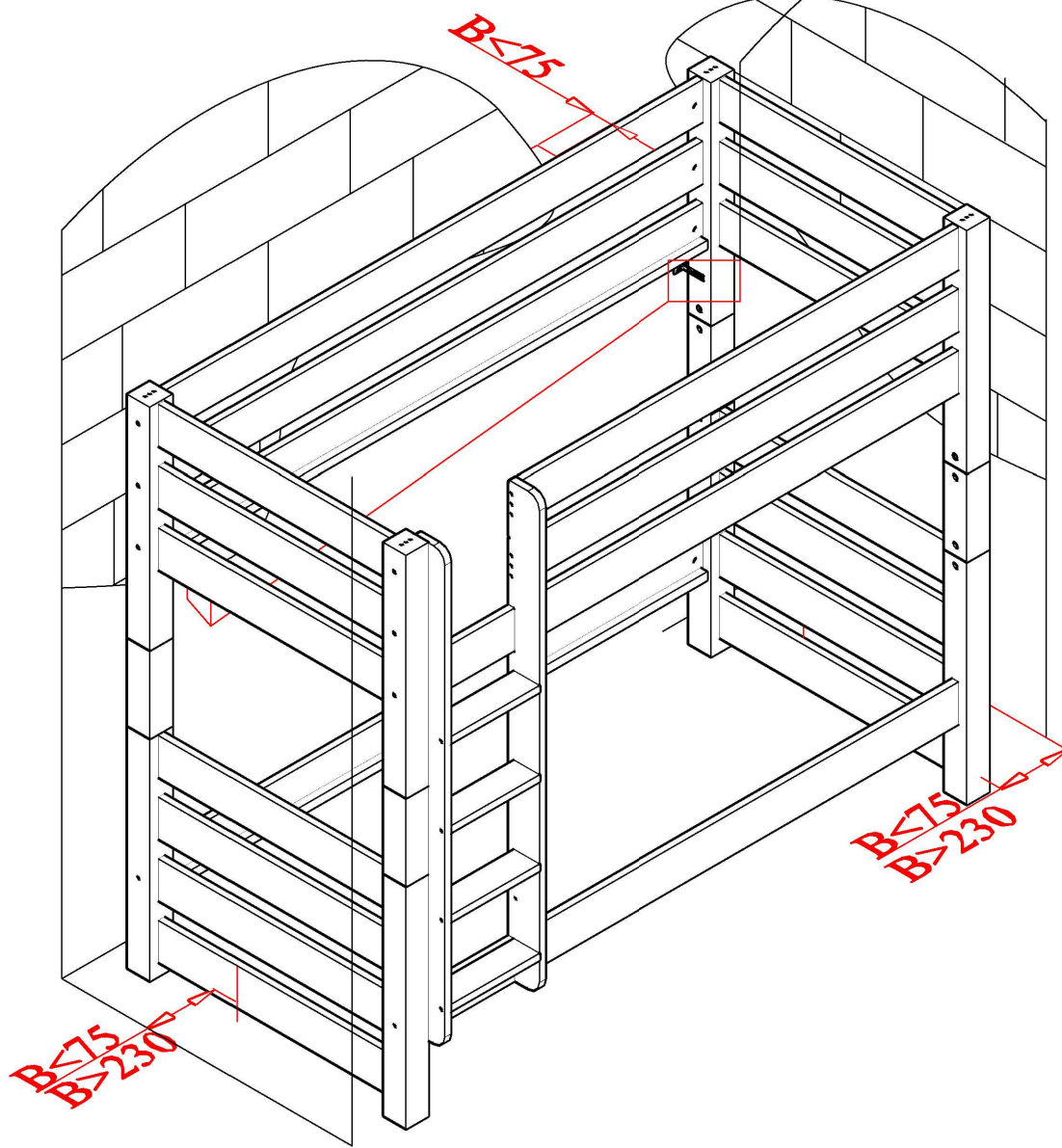
Ø4 X 60

18 L

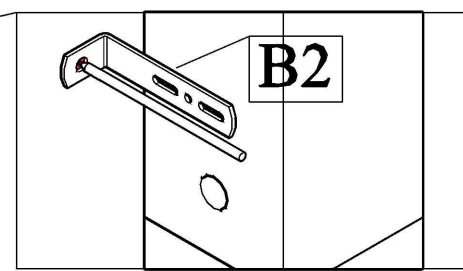
20/24



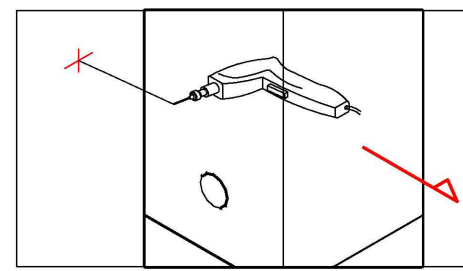
<b>B2</b> x 2 75 x 25 x 15	<b>V1</b> x 2 V1-1 V1-2 Ø8x40/Ø4x50	<b>S3</b> x 2 Ø3,5 x 16
----------------------------------	---	-------------------------------



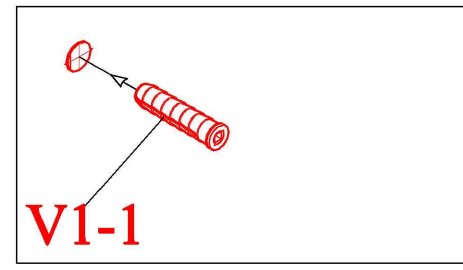
1



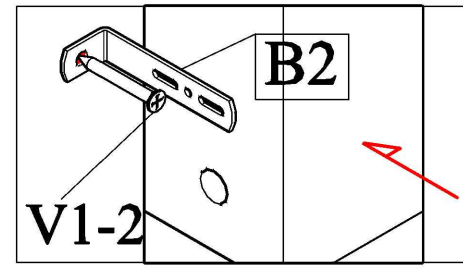
2



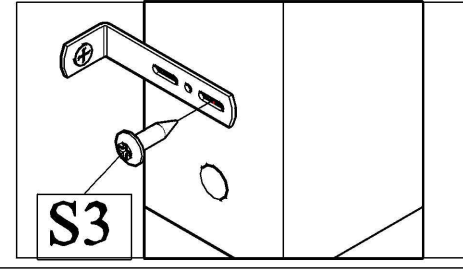
3

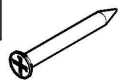



4



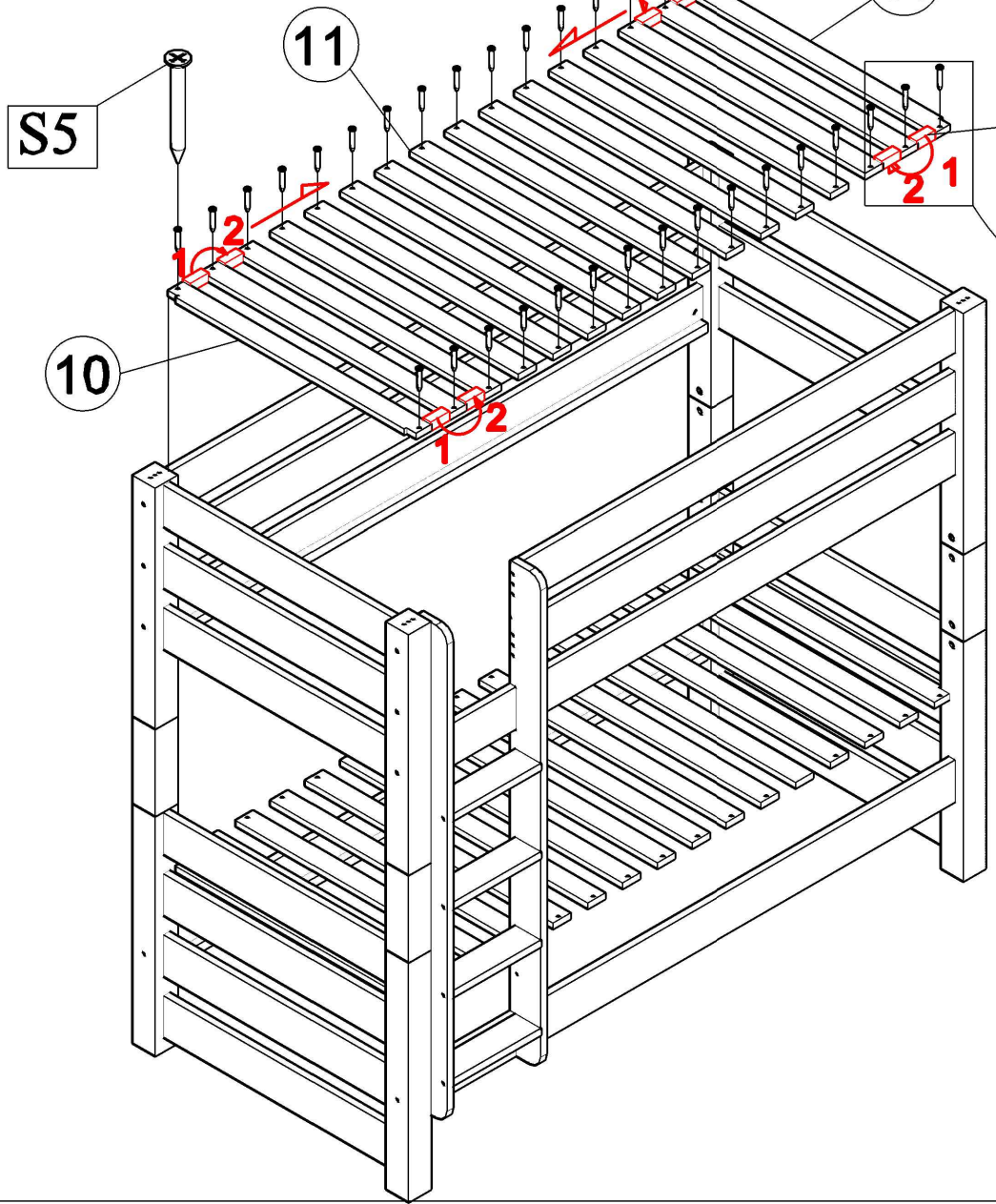
5



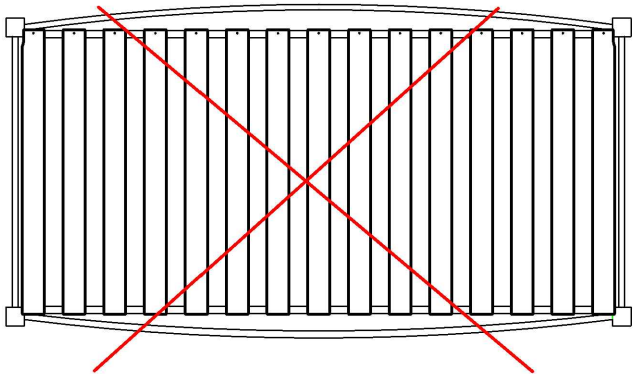
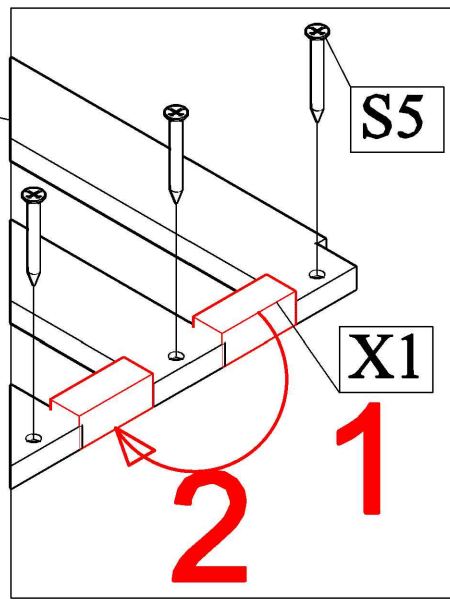
**S5** x 64  
 Ø3,5 X 30

**X1** x 2  
 63,5 mm  
 63,5x25x25

20

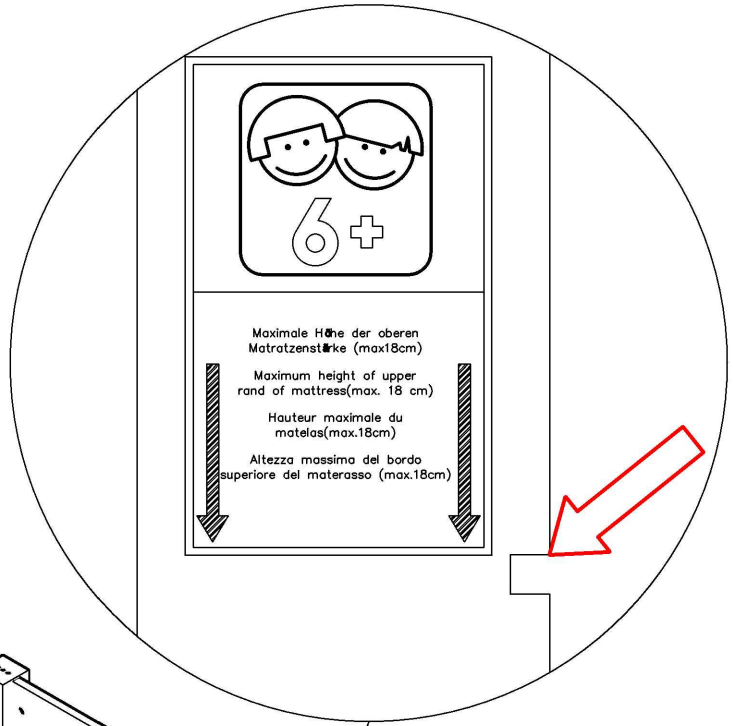


**X1**



22/24

**MAX  
70 kg**



**MAX  
90 kg**

