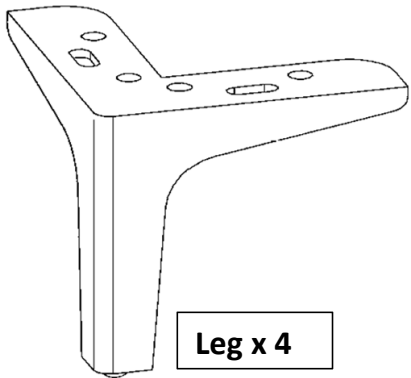
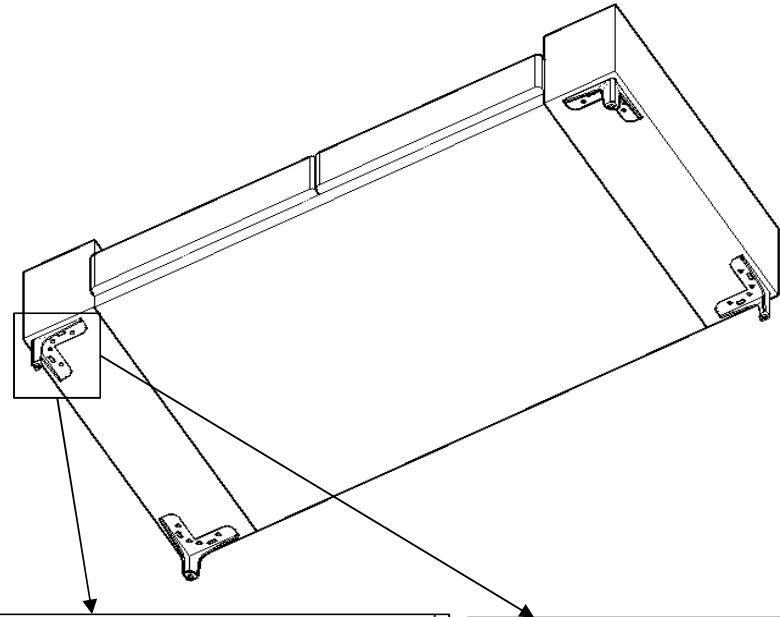
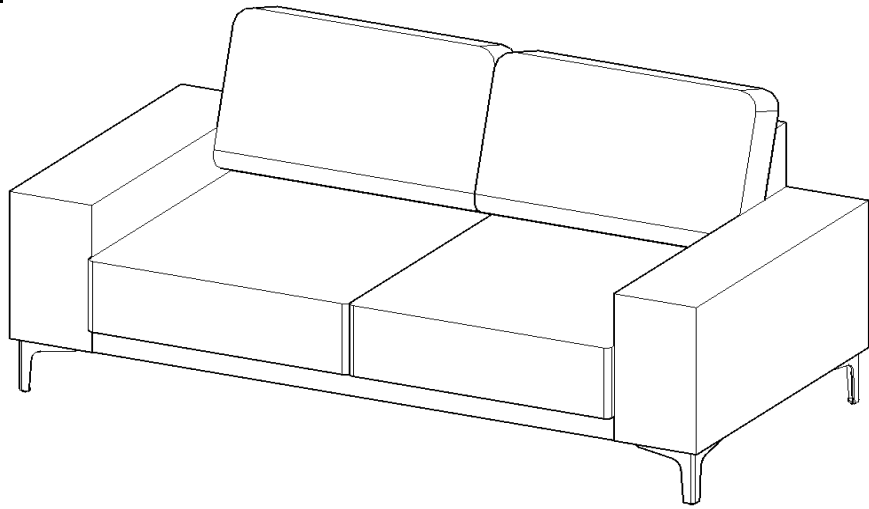


# 3 SEATER ASSEMBLY INSTRUCTION



Leg x 4



(5x30) x 16

