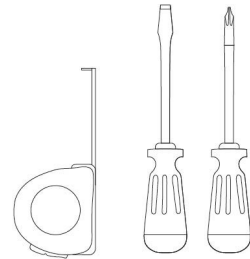


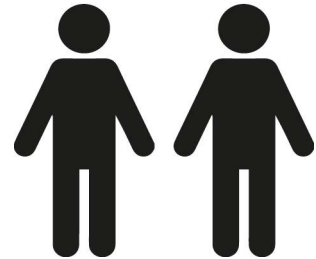
WARNING: Serious or fatal injuries due to crushing can occur as a result of furniture tipping over. This furniture should ALWAYS be secured to the wall with the fixing bracket. To minimize the risk of serious or fatal injury due to tipping:

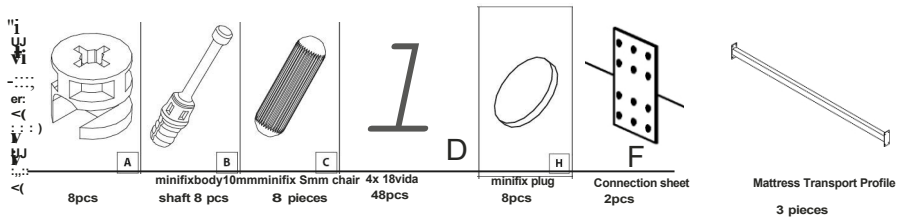
- 1- Place the heaviest items in the bottom drawer.
- 2- Do not place a TV or other heavy objects on this product.
- 3- Do not allow children to hang or climb on drawers, doors or shelves



Make sure that all parts are complete before you start drying.

Installation with 2 people is recommended



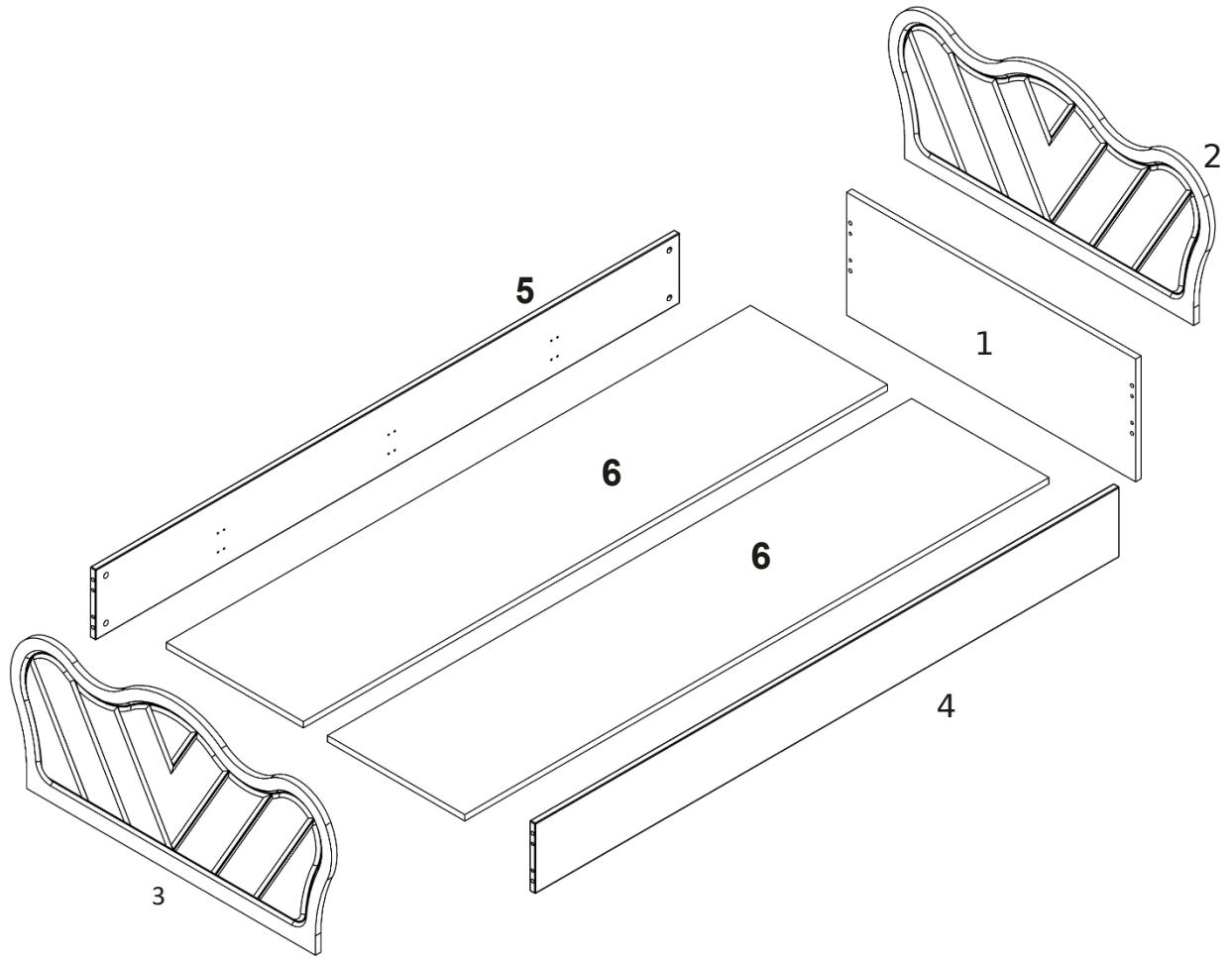


All our products have been checked and tested at every step from the design process to the production and delivery process, so that you can enjoy the products and use them for many years. Before starting assembly, remove all parts from the box and check them according to the assembly manual. If you have purchased more than one product, install the products in order to avoid mixing the accessories of the parts. Clean each part with a damp cloth before installation. This cleaning will be sufficient for general use of the product. Although the products are carefully checked and packaged, if you encounter a problem during shipping, you can check the necessary parts and send an e-mail to bilgi@sunroyalconcept.com or contact us via the contact numbers on our website. The problem will be fixed free of charge as soon as possible. Do not use your furniture for other purposes. Please contact us if you think of a different purpose of use. Furniture can be damaged when it comes into direct contact with cold, heat or humidity. For this reason, prevent your furniture from direct contact with these factors.

ASSEMBLY INSTRUCTIONS

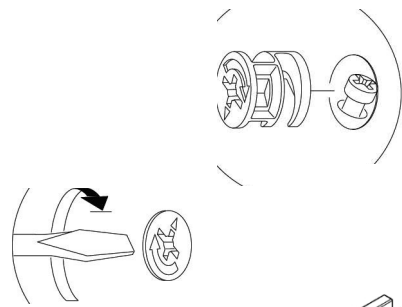
YATAK ASSEMBLY

S2



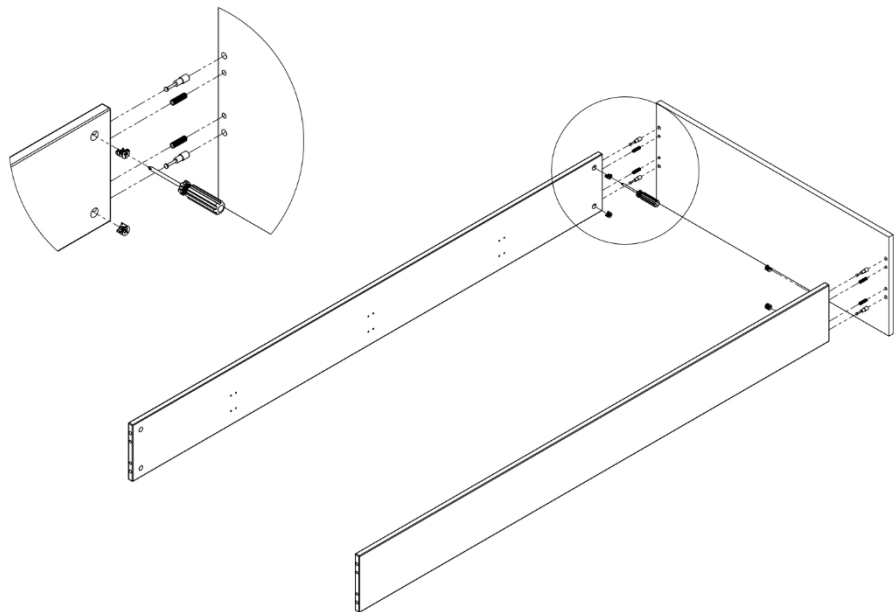
NO	NAME	THICKNES S	BOY	EN	NUMB ER	NO
1	Bed Headboard Bottom	18	1820	480	1	11
2	Bed Headboard Top	18	1820	480	1	12
3	Bed Headboard Foot	18	1014	480	1	13
4	Right Edge	18	1014	480	1	14
5	Left Edge	18	1654	480	1	15
6	Bearing Support Part	18	673	465	2	16

		BED ASSEMBLY	S3
--	--	---------------------	-----------



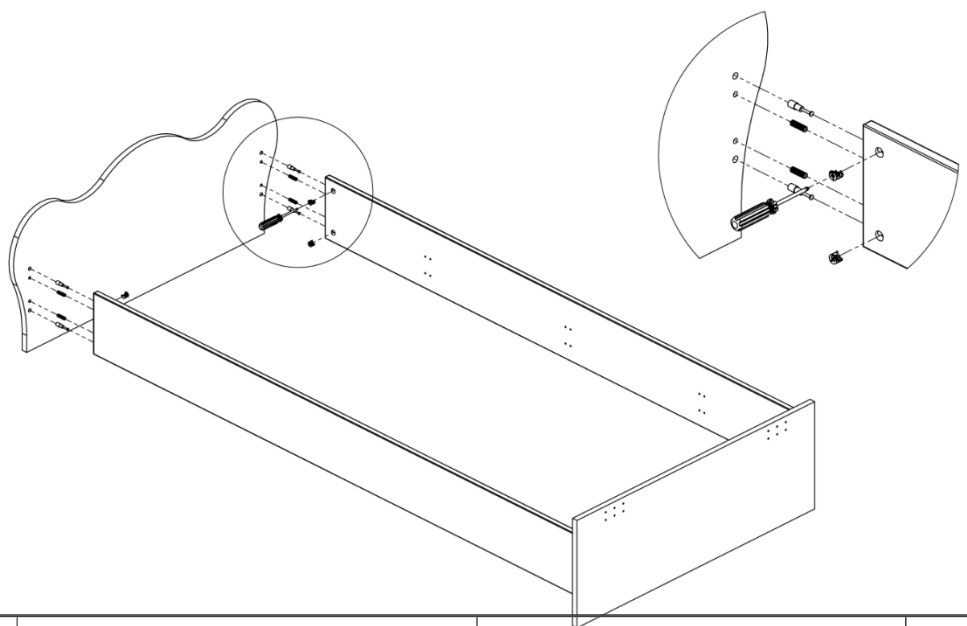
@!]

Insert the 10 mm minifix shaft and the clamps into the holes on the side of part 1 as shown in the picture, then insert the side parts numbered 4 and 5 and connect the parts by turning the minifix locks in the direction of the arrow with the help of a screwdriver.



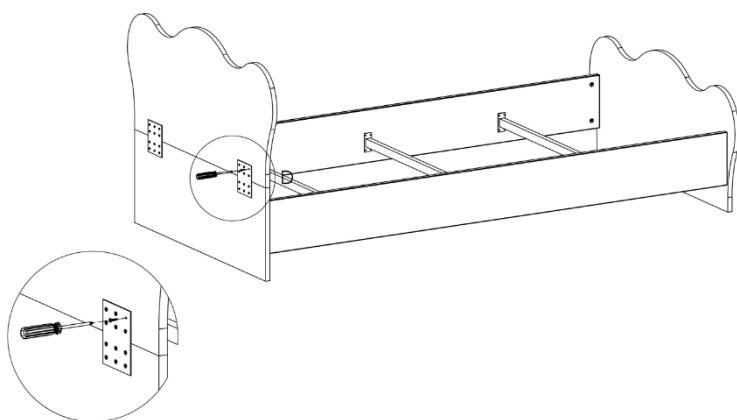
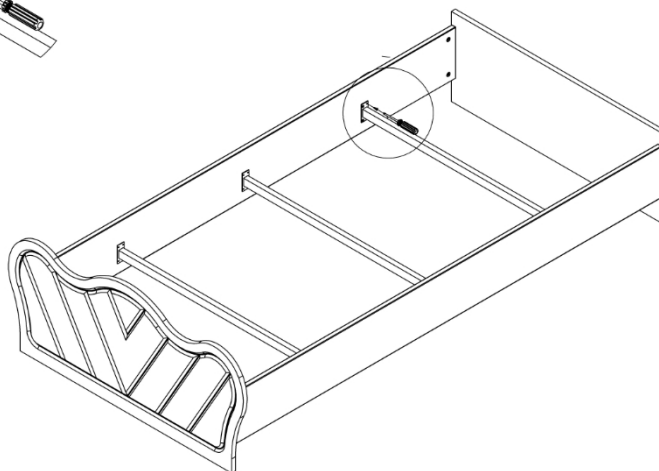
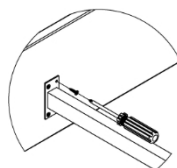
02

Connect part 3 to parts 4 and 5 as shown in the figure using accessories A, B and C.



03

With the help of the D (Screw) part of the bearing carrying profile Connect it to the part number 4-5 with the help of a screwdriver as shown in the picture. There are 3 pieces of this profile.



04

Assemble parts 1 and 2 with the help of screws F (head fastening plate).

05

Place the parts that you need to place inside the bed side by side to support it.

You can place your bed on these pieces.

