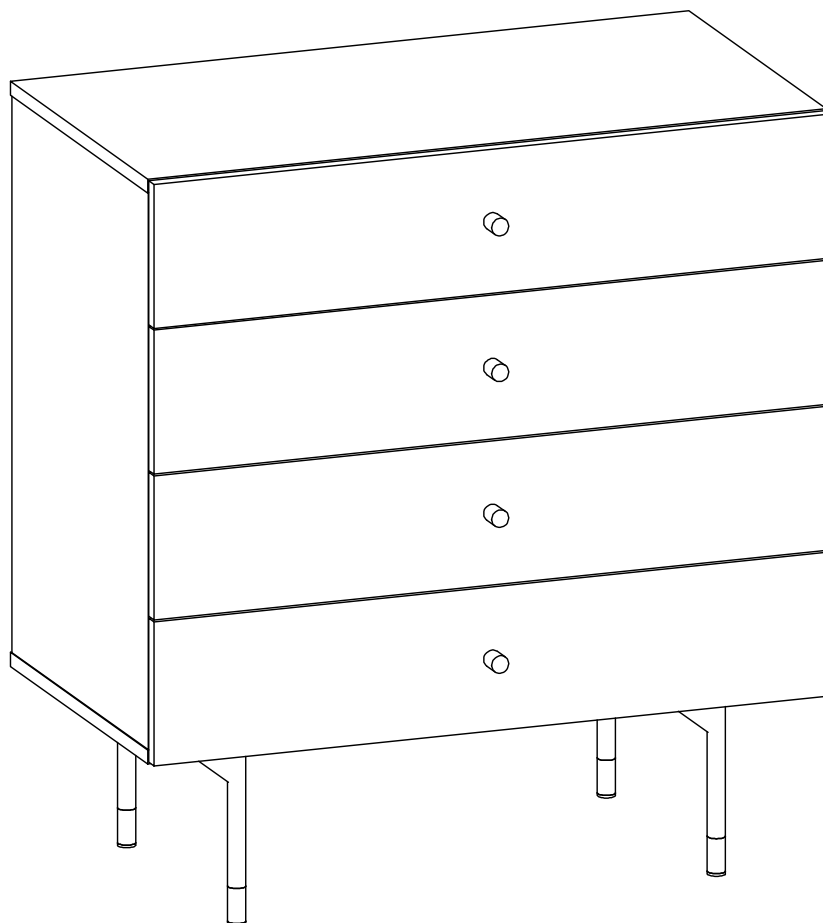


Assembly Instruction

Jugend Dresser



800x440x870



Woodman OÜ

Made in Estonia
Mäo, Järvamaa
www.woodman.ee
support@woodman.ee

Dear Customer

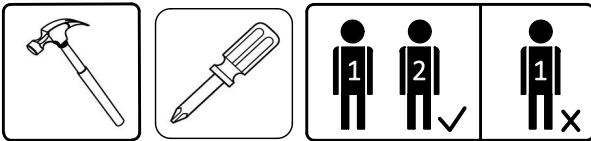
Congratulations on your new purchase.
Follow this advice and get the best
result when assembling the product.

- Read the instruction carefully before you start
- Get help, if two persons are required for assembly
- Make sure, you have all parts on the total material list
- Work on a soft, flat surface to avoid any damage to the finish
- Follow the assembly instruction
- Tighten the furniture joints after a month
- Keep the assembly instruction

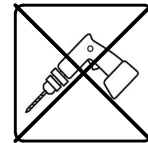
Allocate time

Some furniture can be assembled in minutes. Others –
e.g. products in several parts – can take more than an hour
to finish. Make sure to allocate good time or divide up the
work.

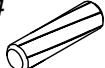



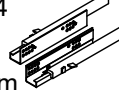



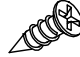




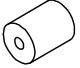

Tools needed

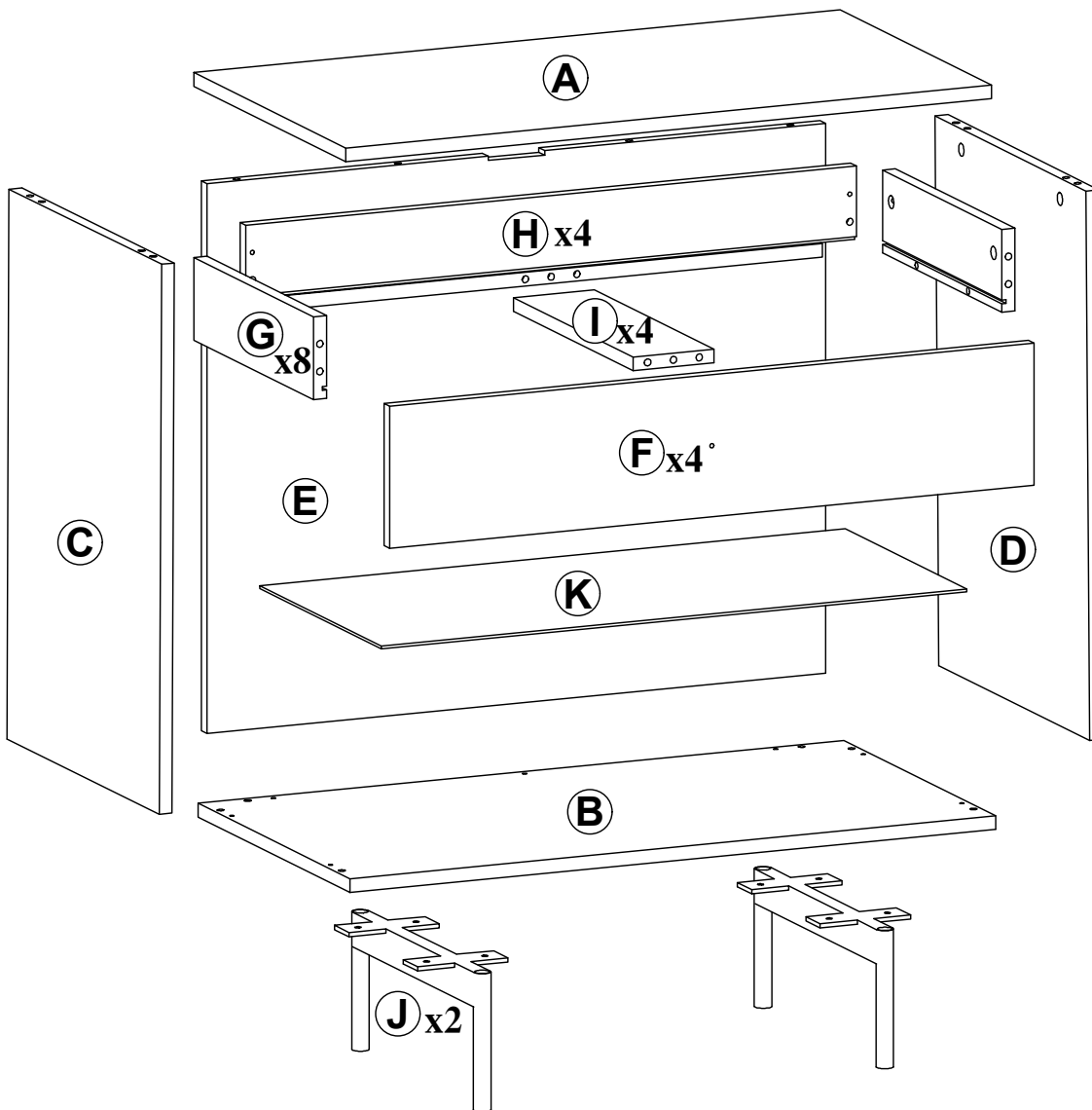


Don't use!!!



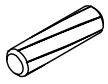
Total material list, hardware

A1 x 44 8x35 	A2 x 28 7x24 	A3 x 28 4mm 	A4 x 7 5x50 	A5 x 4 360mm 	A6 x 16 6.3x11 
A7 x 8 M6x16 	A8 x 1 20x42x70 	A9 x 2 3.5x15 	A10 x 4 17/3 	A11 x 1 3mm/4mm 	A12 x 16 
A13 x 4 4x22 	A14 x 4 	A15 x 8 			

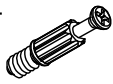


Assembly instructions, 1

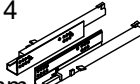
A1 x 8
8x35



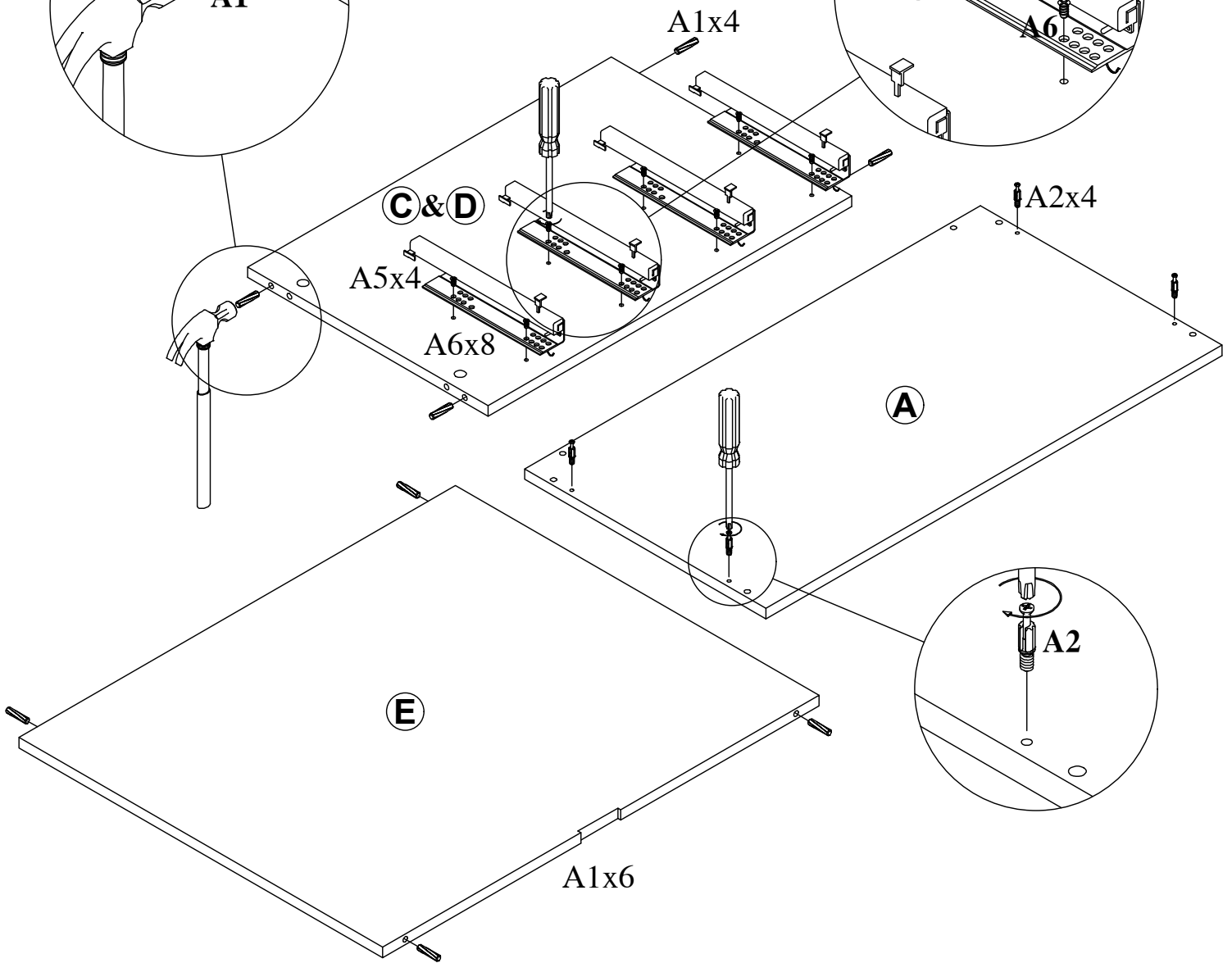
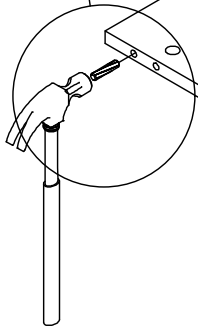
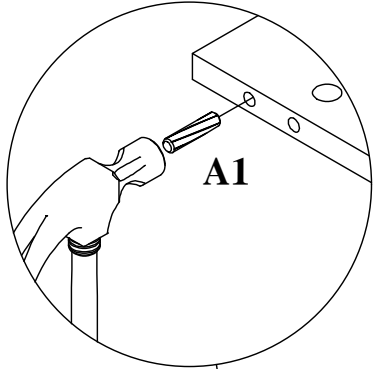
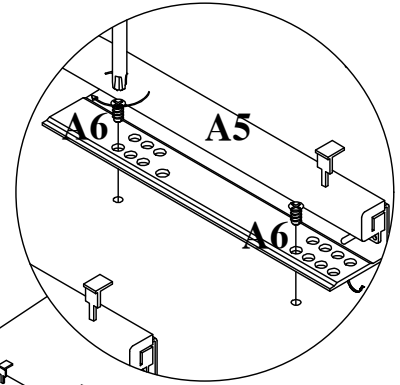
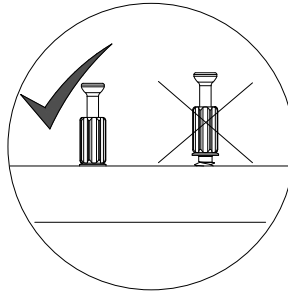
A2 x 4
7x24



A5 x 4
360mm



A6 x 16
6.3x11



Assembly instructions, 2

A3 x 4

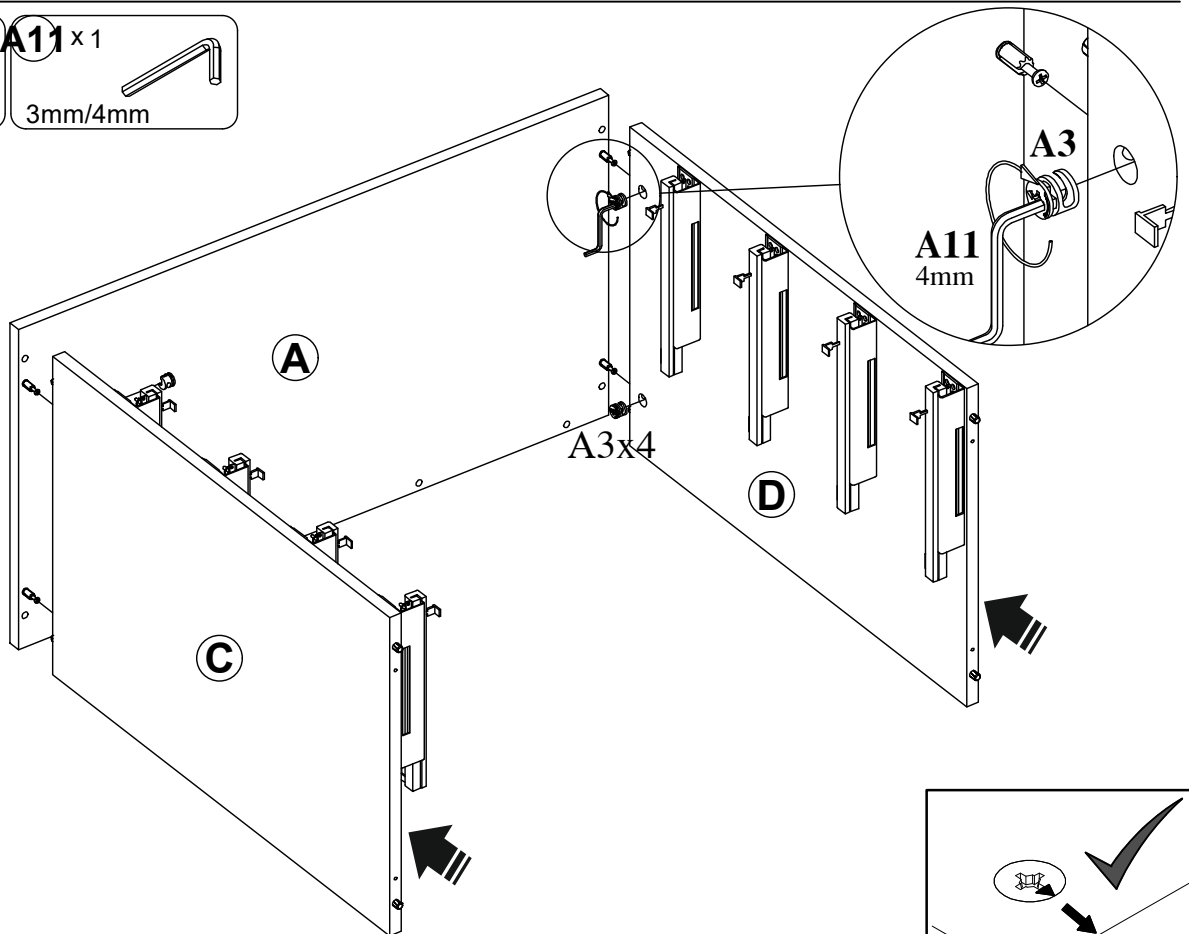


4mm

A11 x 1



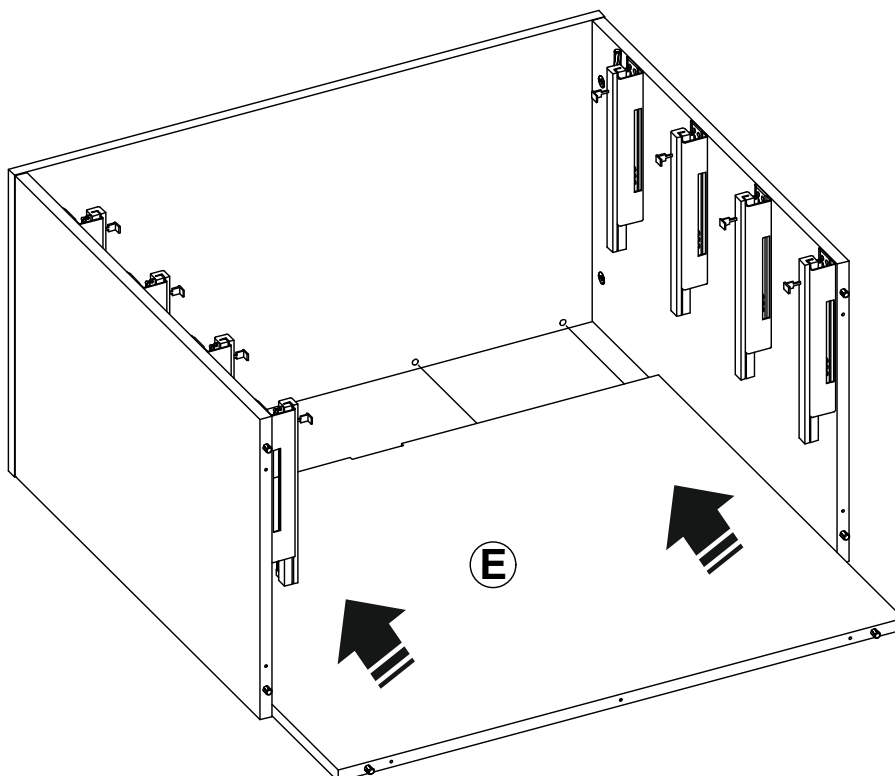
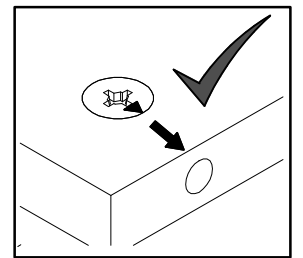
3mm/4mm



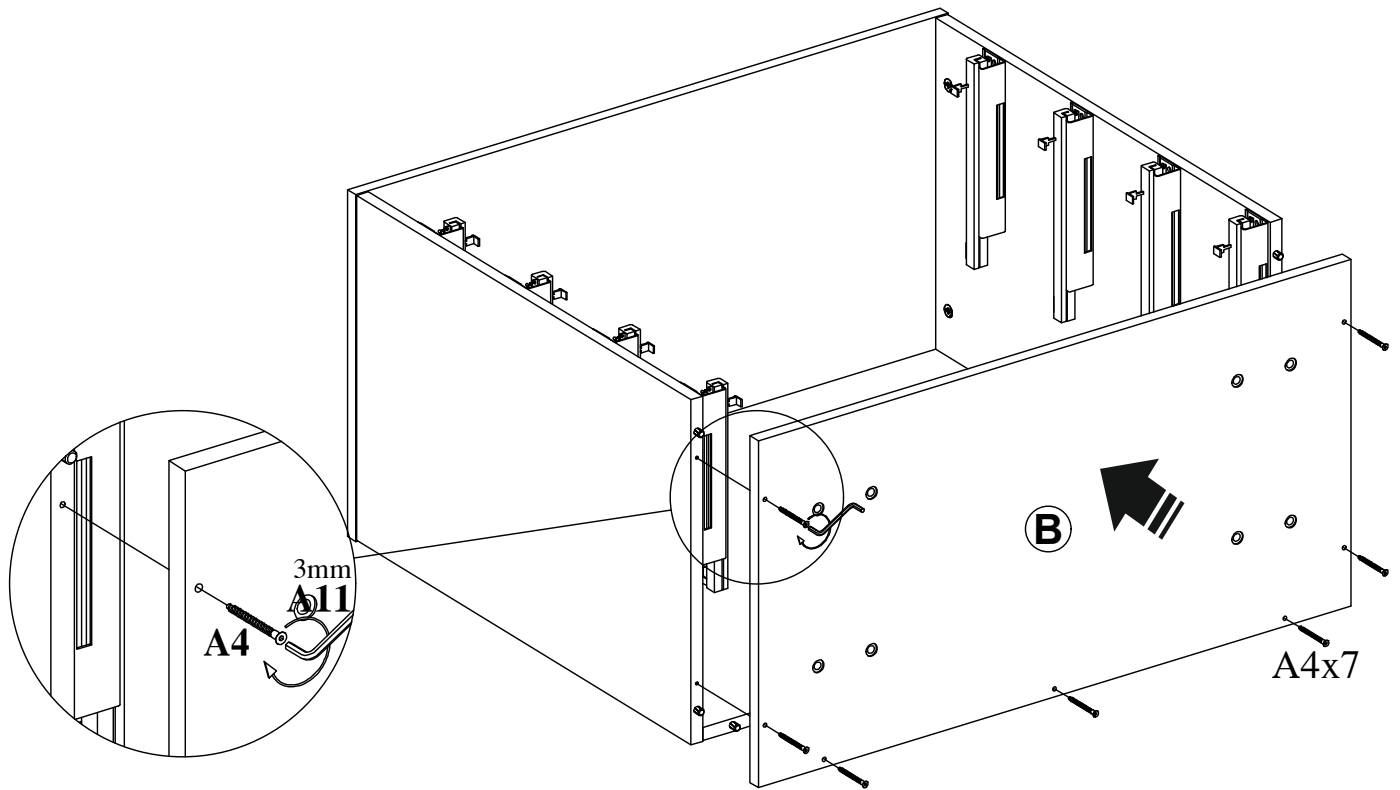
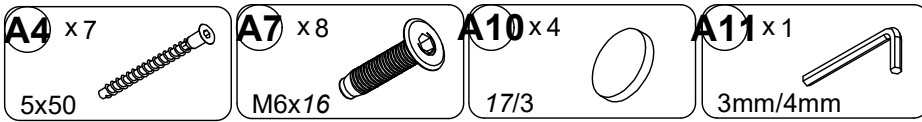
A3
A11
4mm

A3x4

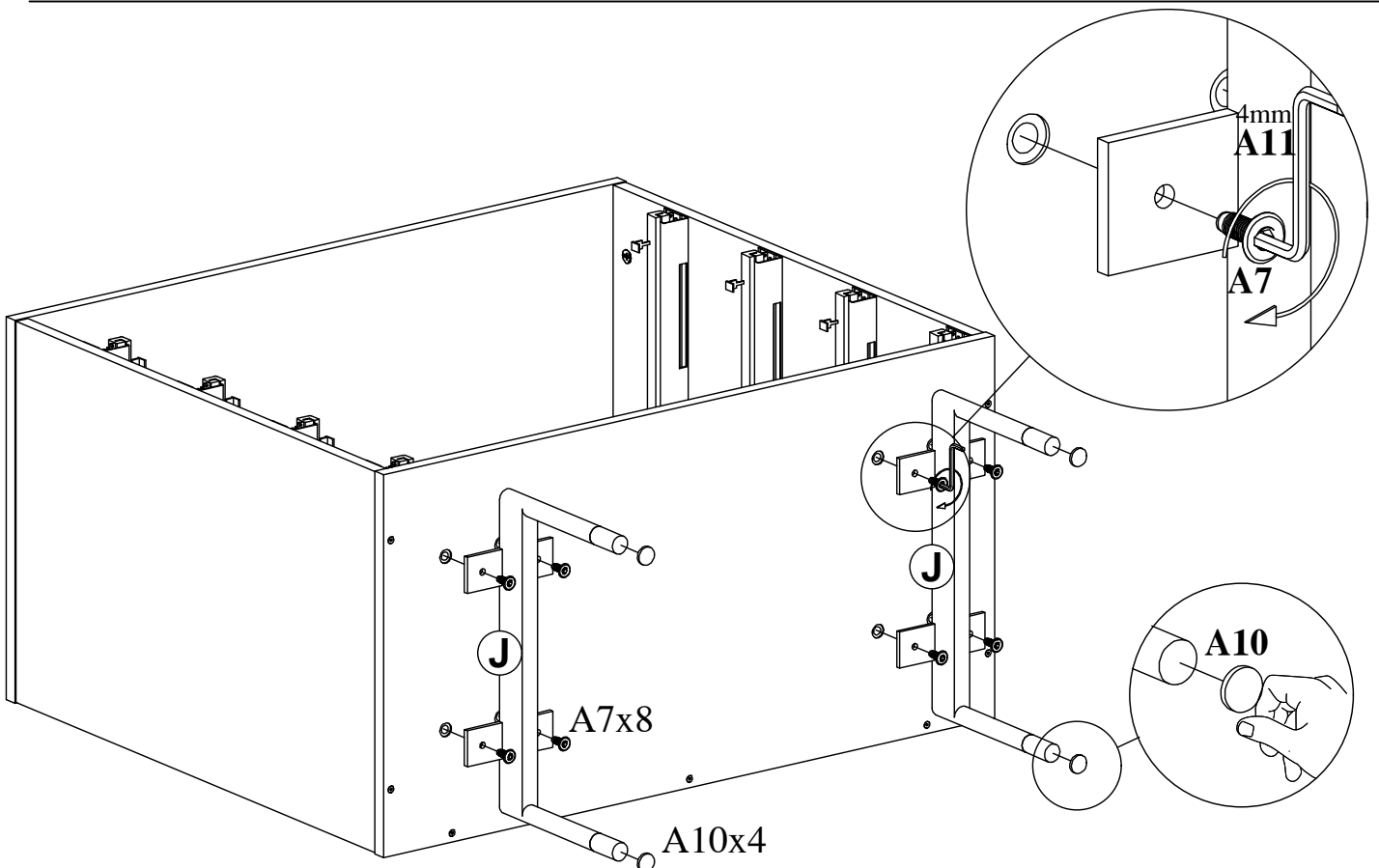
Assembly instructions, 3



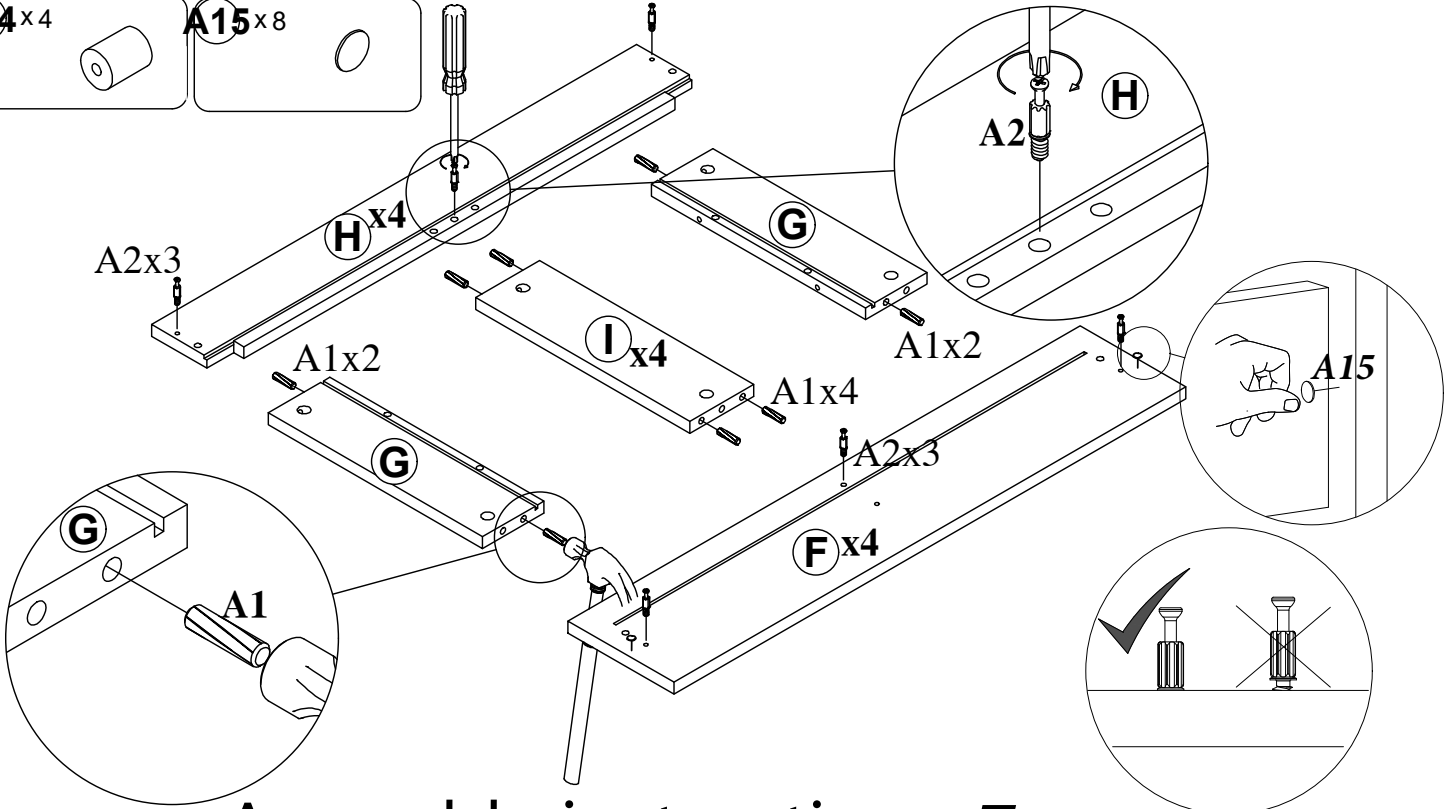
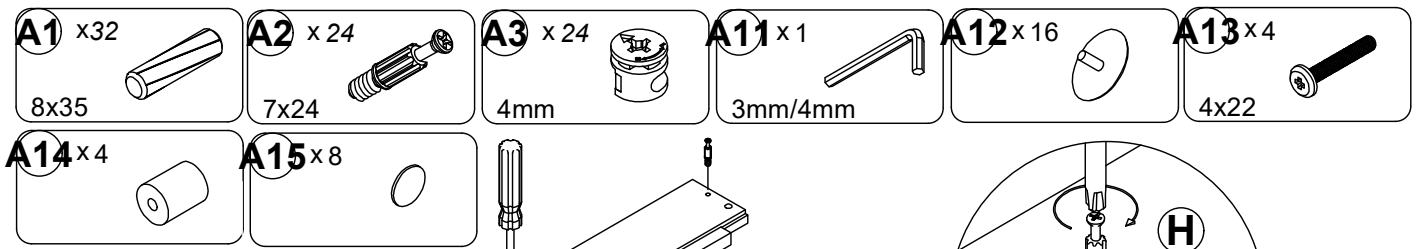
Assembly instructions, 4



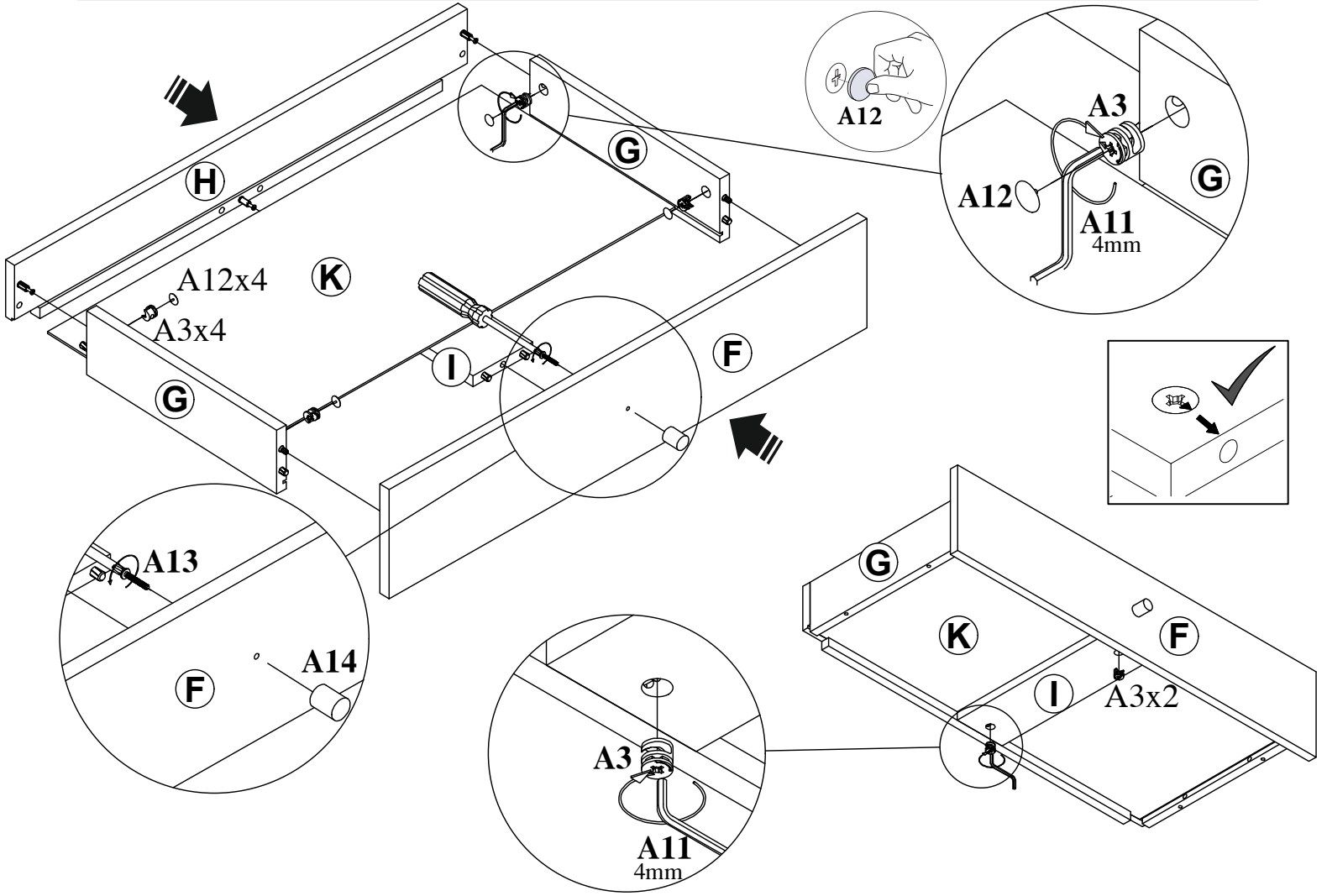
Assembly instructions, 5



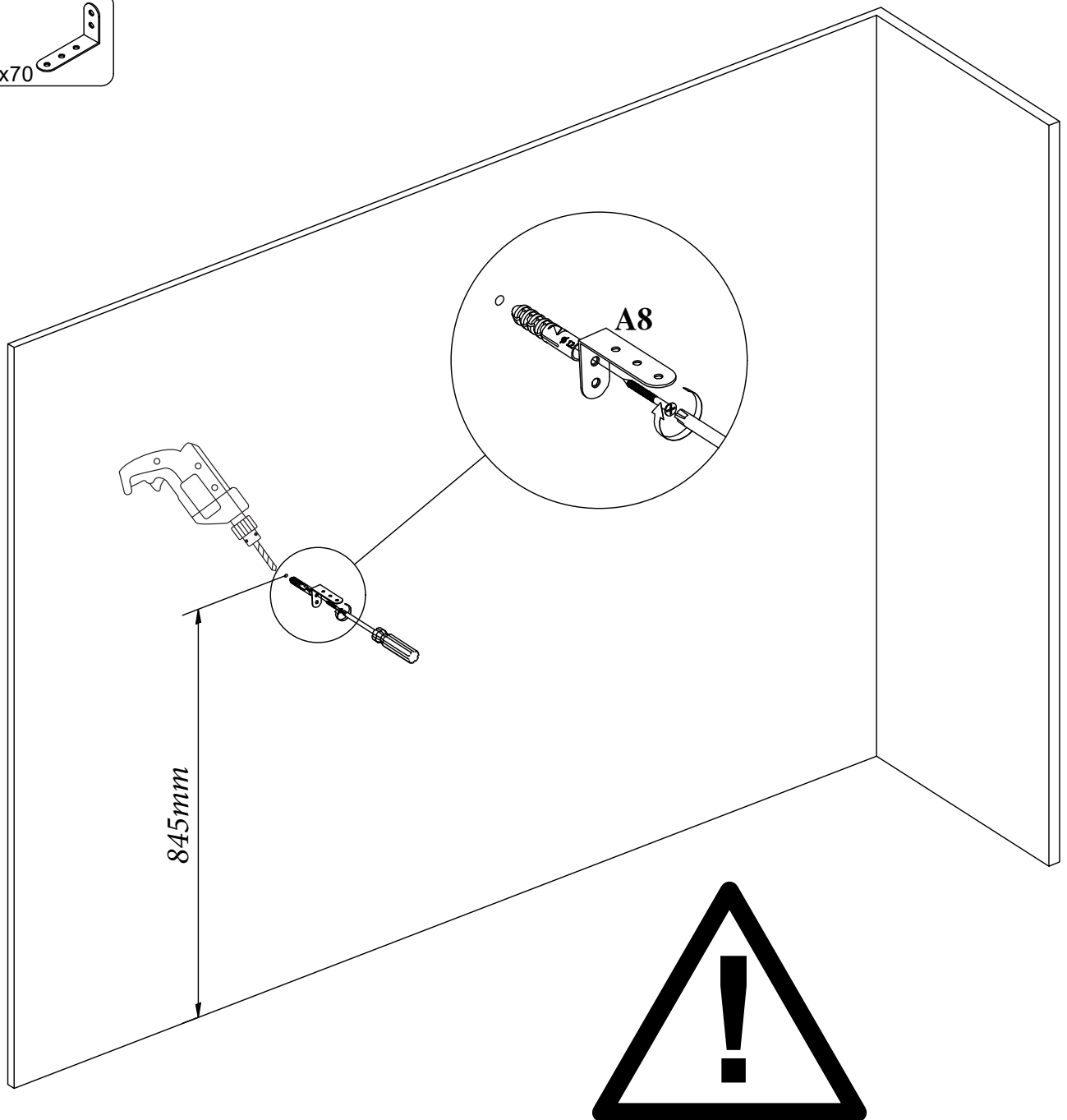
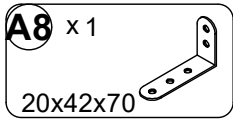
Assembly instructions, 6



Assembly instructions, 7



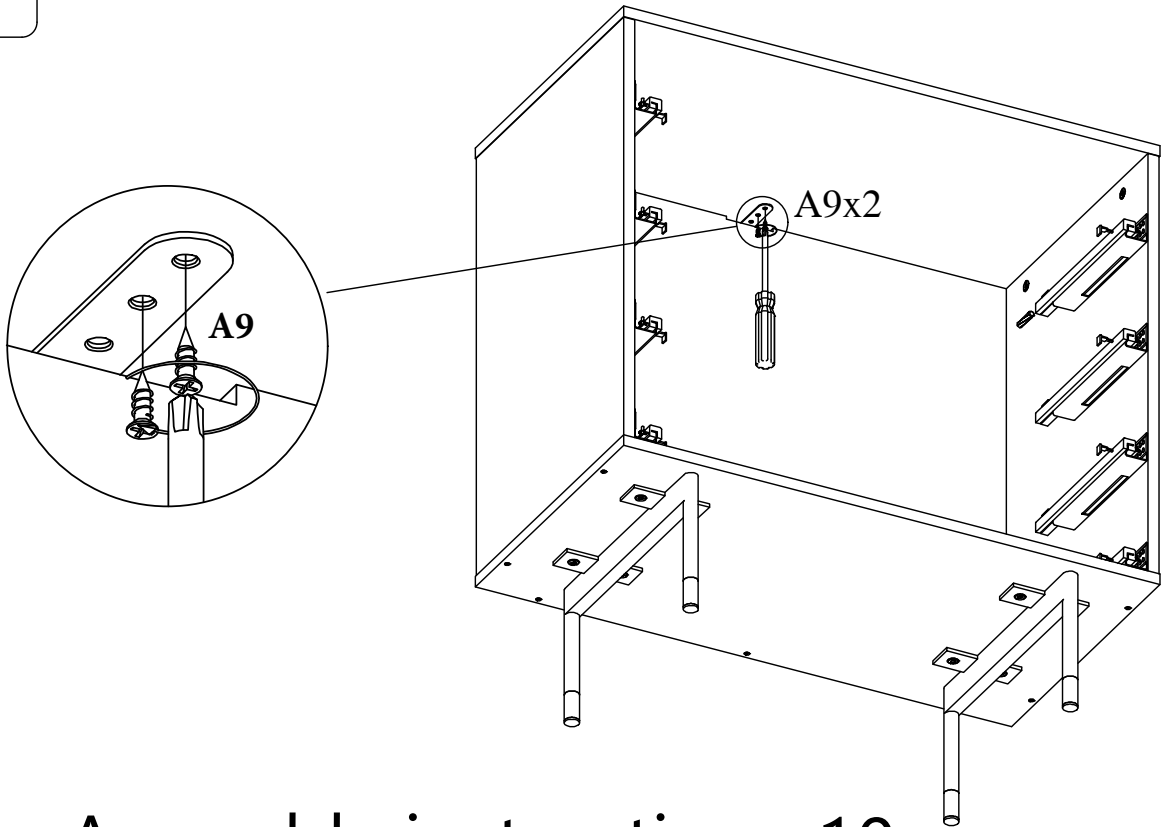
Assembly instructions, 8



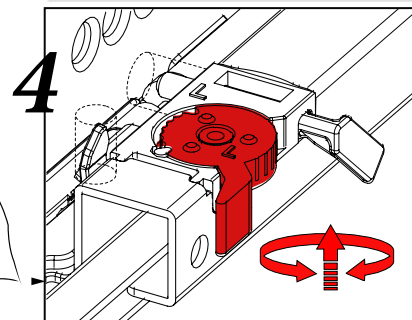
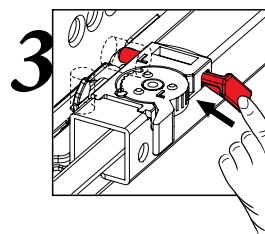
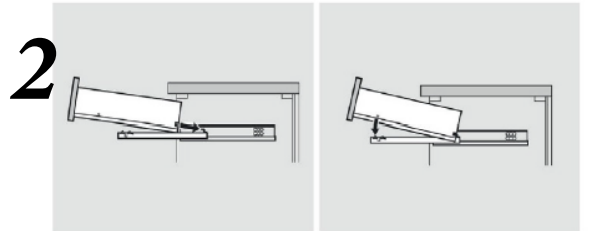
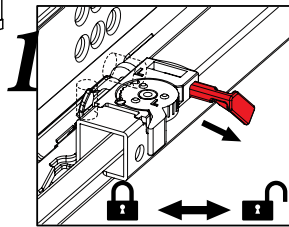
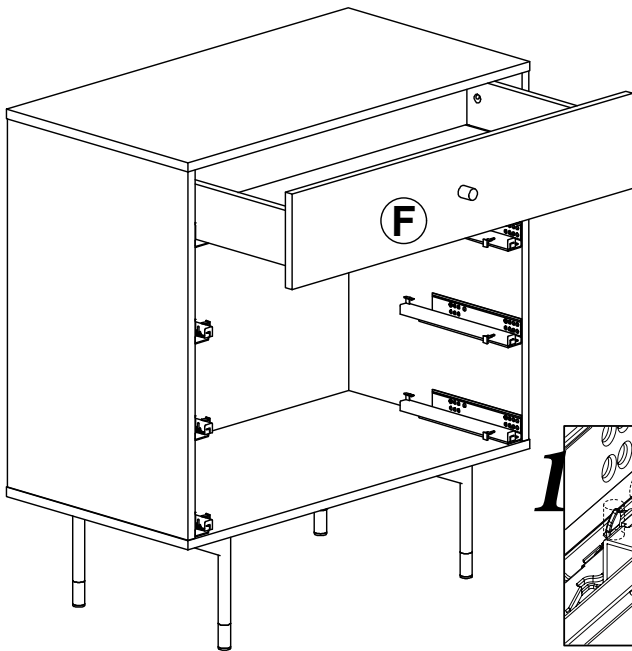
Screws for attaching the product to the wall are not included, you will need to choose a screw or a fitting which is suitable for securing the bracket to the kind of walls you have. If in doubt, contact your local professional.

Assembly instructions, 9

A9 x 2
3.5x15



Assembly instructions, 10



Adjust the height of the drawers by moving the regulator shown in step 4

Safety and Care Advice

General care and maintenance

Only clean using a damp cloth and mild detergent, do not use bleach or abrasive cleaners.

From time to time check that there are no loose screws on this unit.

This product should not be discarded with household waste. Take to your local authority waste disposal centre.

Cleaning and care of lacquered surfaces

Regular dusting with a dry cloth will keep your units clean.

Clean marks with a damp cloth.

Do not use abrasive cleaners.

Do not clean with products containing following:

Acetone (e.g. nail varnish remover). Ammonia (e.g. bleach) or Sodium hydroxid (e.g. Caustic soda, drain and oven cleaners) .

To remove stubborn stain, wipe over with damp cloth and washing up liquid.

In the event of accidental contact with aggressive cleaners, rinse thoroughly with water. Use place mats to protect the surface from moisture and heat.

Maximum weight limit

Important: Recommended maximum load for each shelf is shown below.