

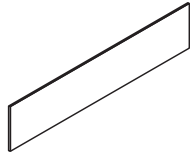
17  
x 4



18  
x 4



19  
x 1

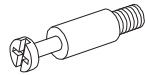


A



x 5  
4x30MM

B



x 21

C



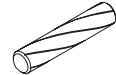
x 21

D



x 10  
3x12MM

E



x 38

F



x 7  
4x35MM

G



x 10  
4x50MM

H



x 8  
6x60MM

I



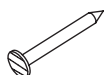
x 8

J



x 16  
4x25MM

K



x 10  
2x16MM

L



x 8

M



x 2

N



x 4

O



x 2  
4x14MM

P



x 4

Q



x 12  
5x40MM

R



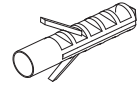
x 12

S



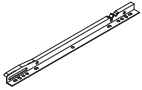
x 1

T



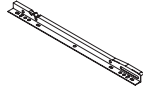
x 2

DL



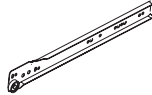
x 1

DR



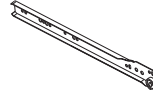
x 1

CL



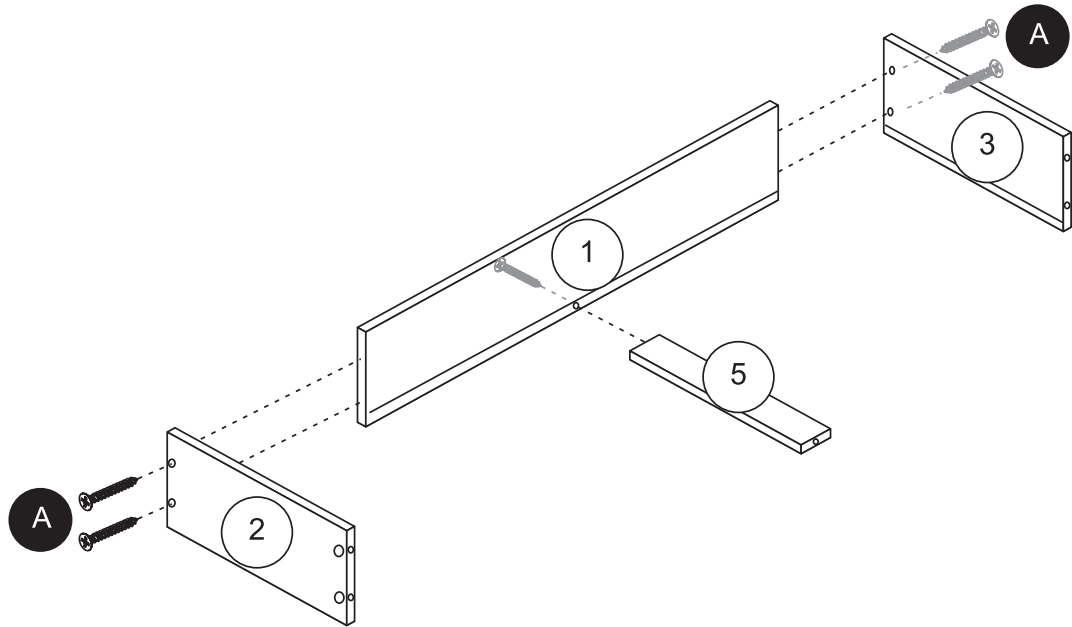
x 1

CR

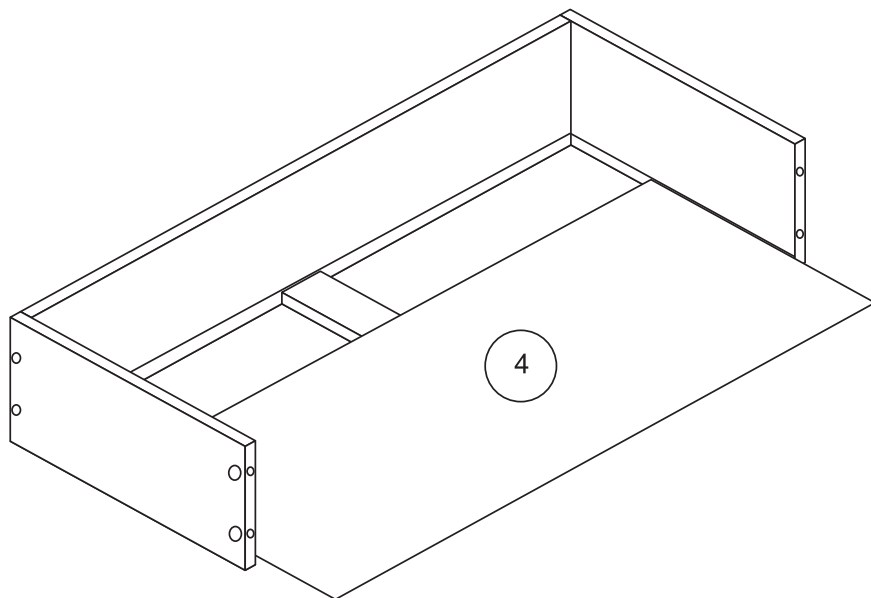


x 1

**1**  
A x5

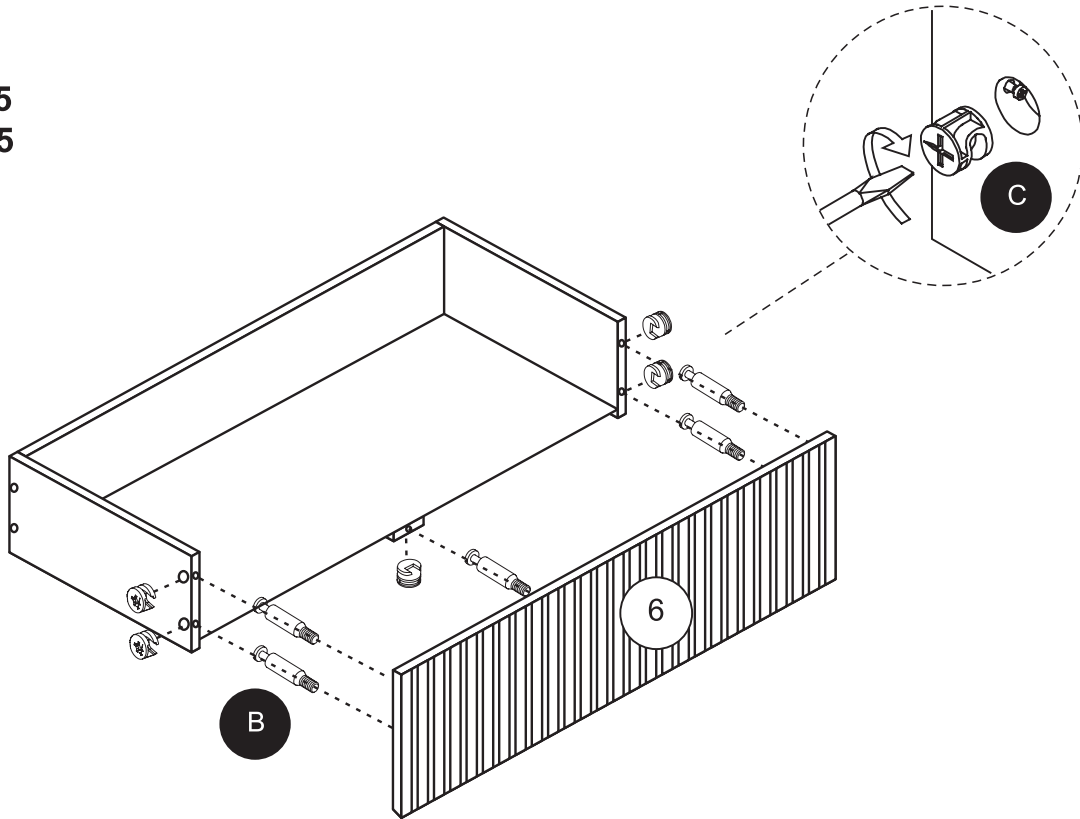


**2**



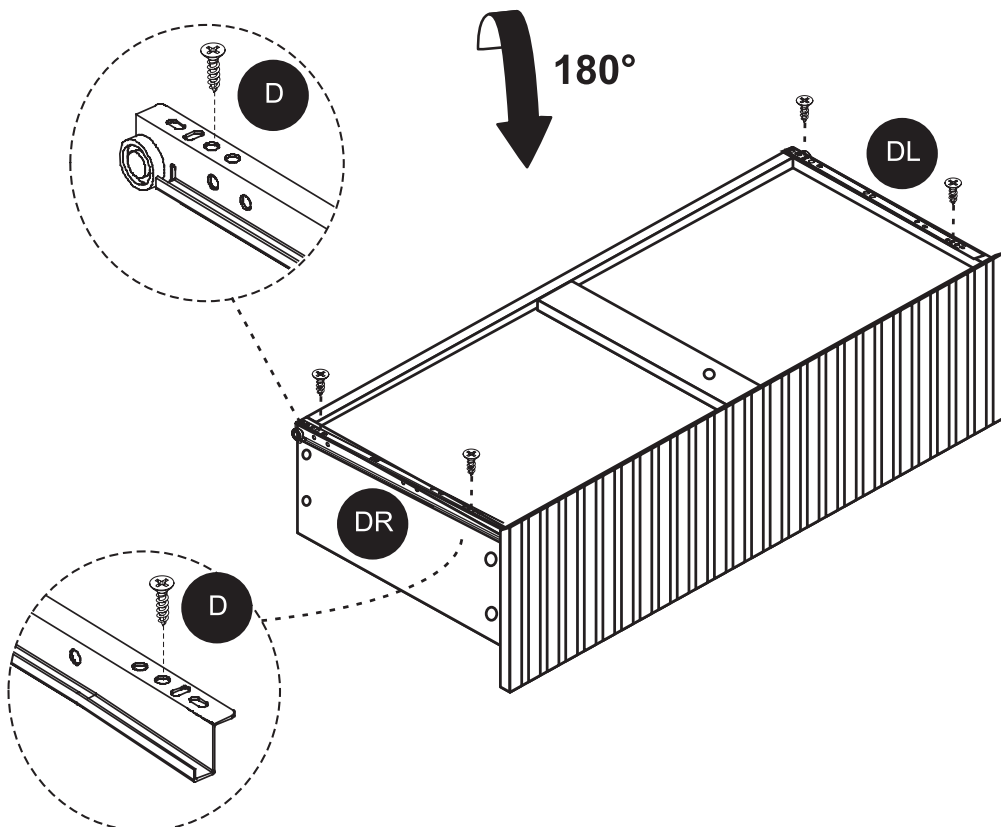
**3**

B x5  
C x5



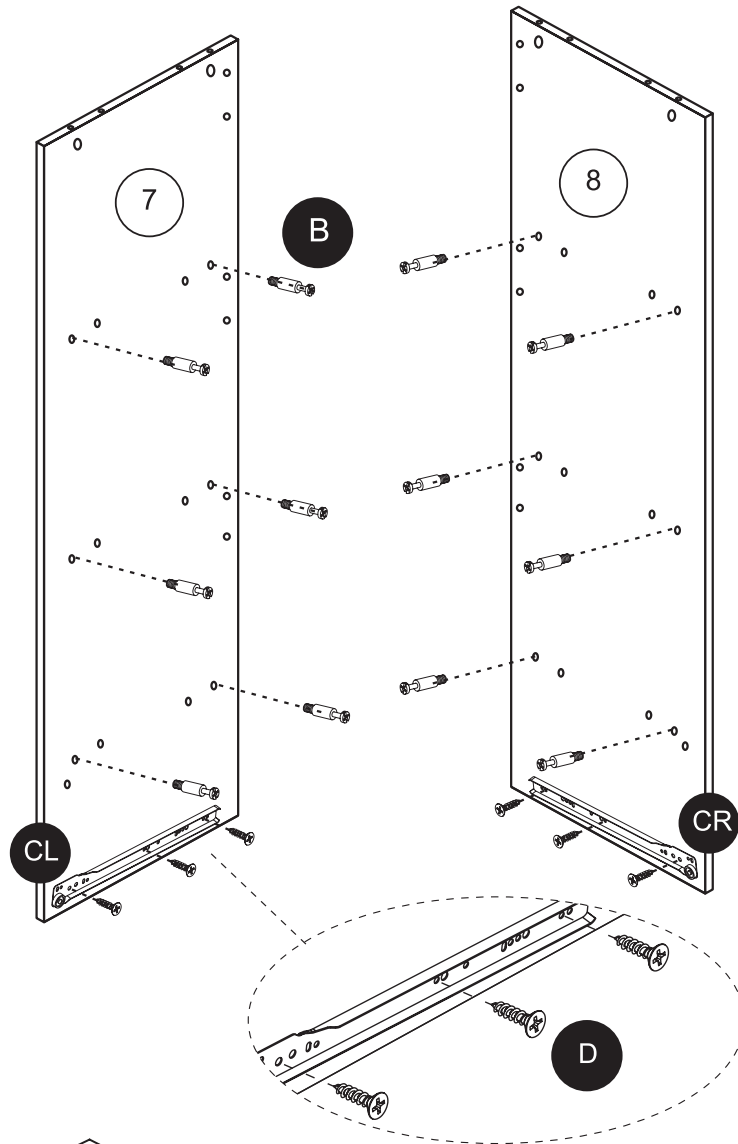
**4**

D x4  
DL x1  
DR x1



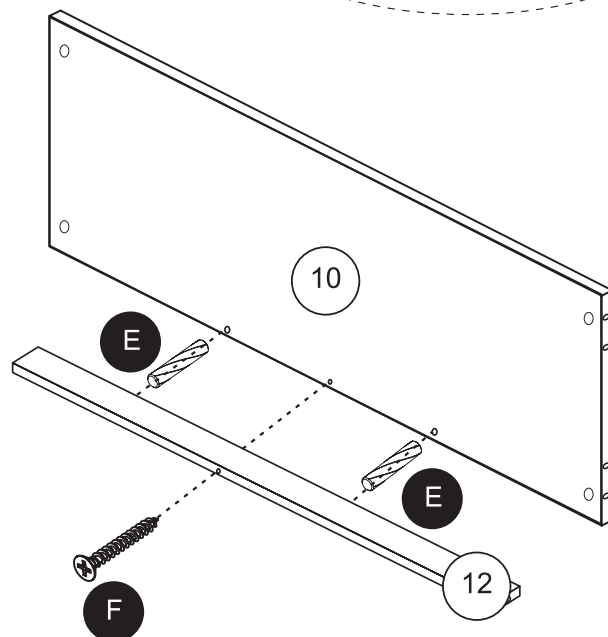
# 5

B x12  
D x6  
CL x1  
CR x1



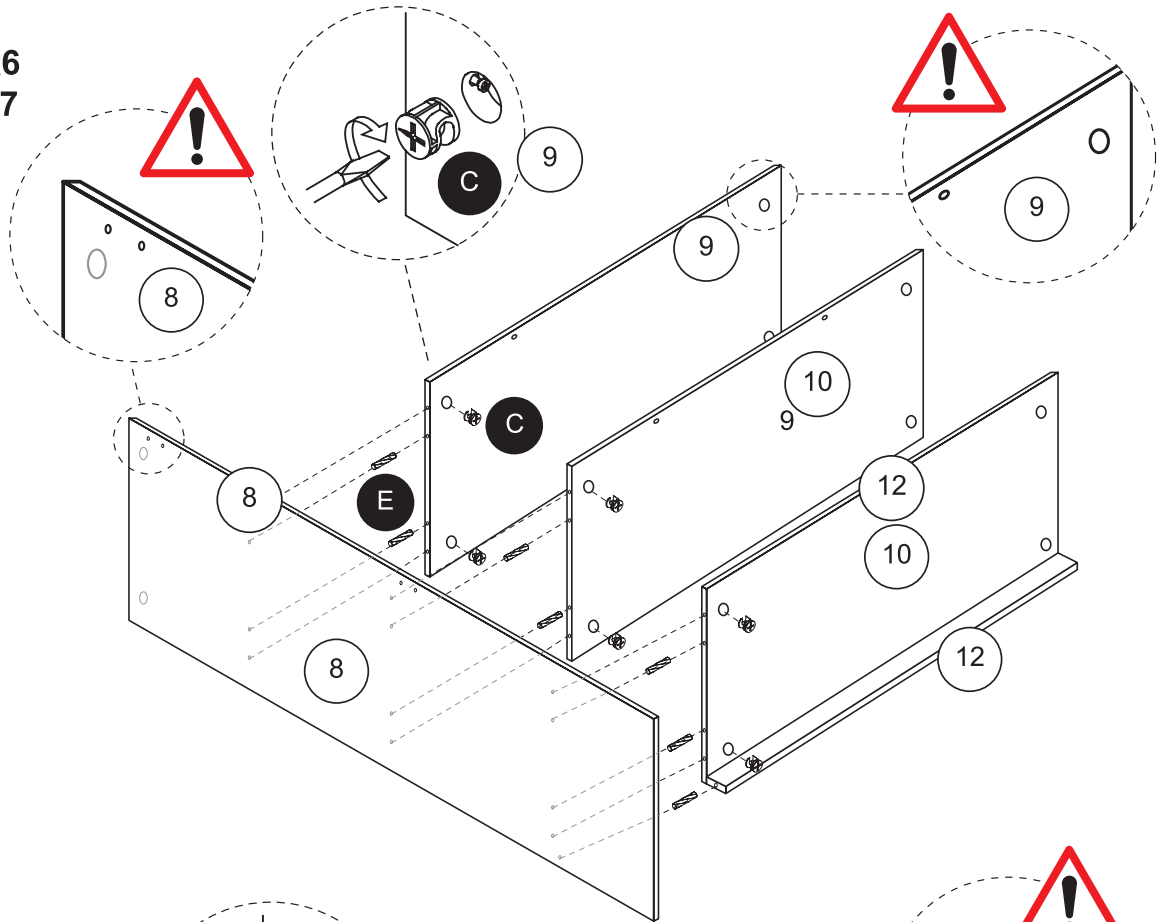
# 6

E x2  
F x1



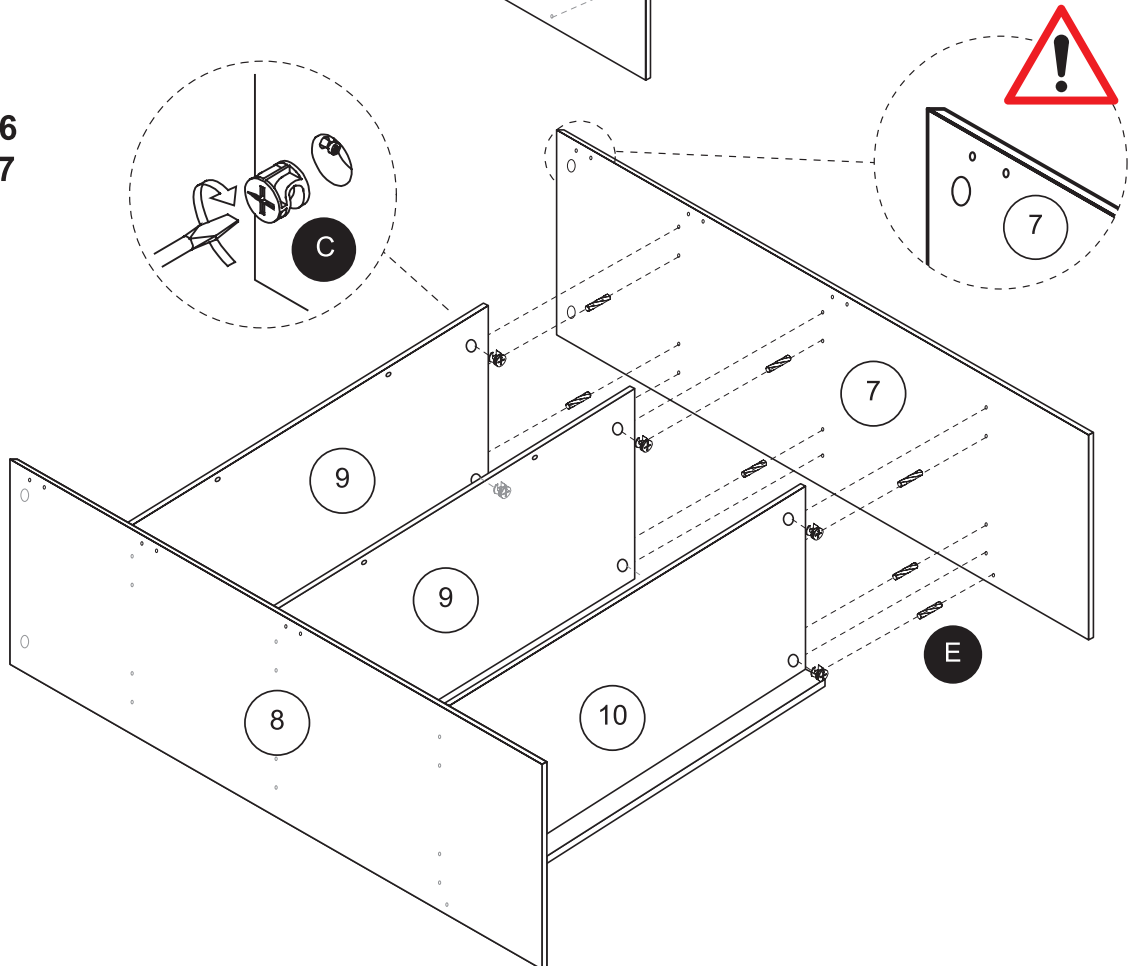
**7**

C x6  
E x7



**8**

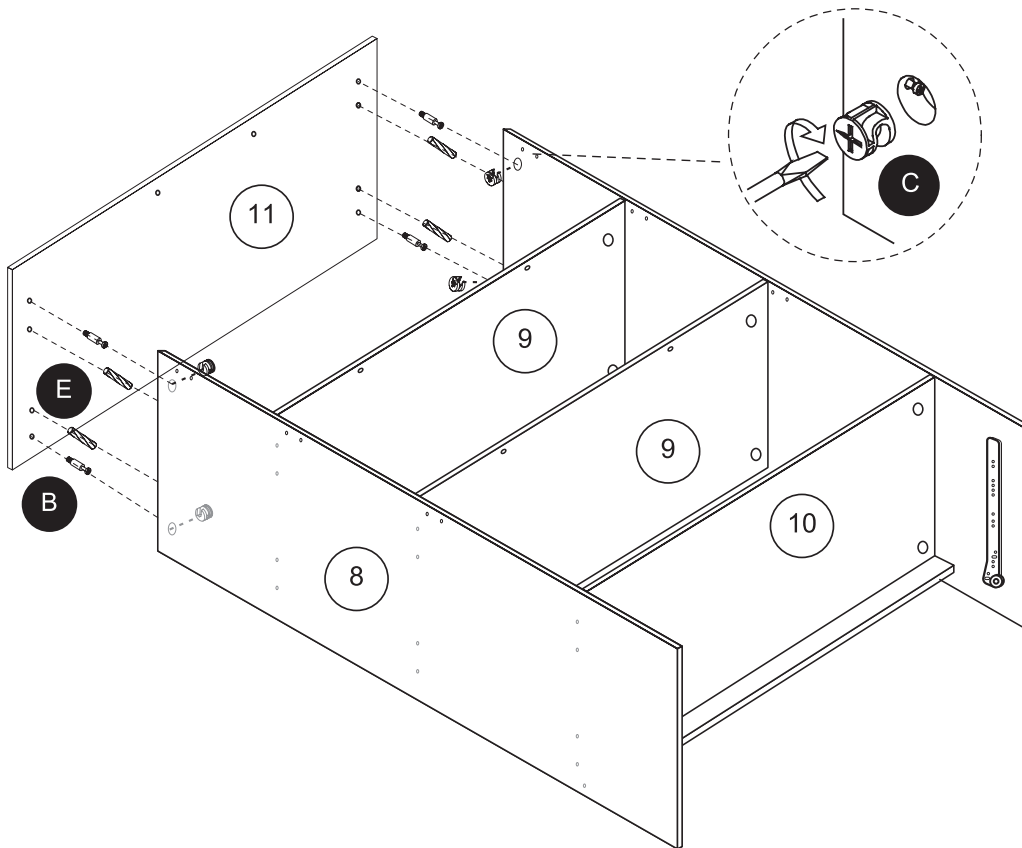
C x6  
E x7





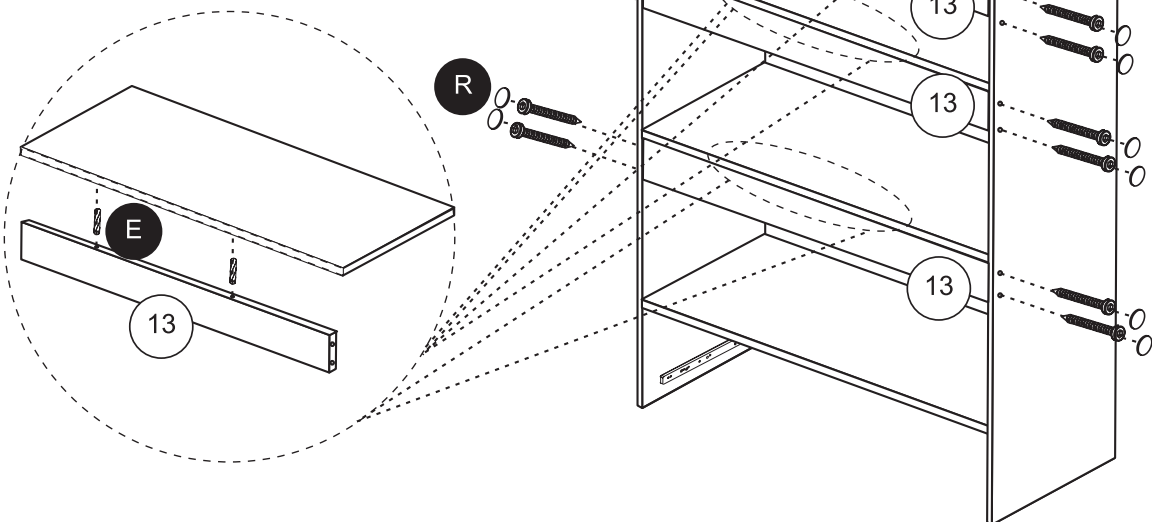
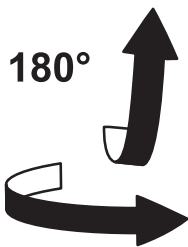
**9**

B x4  
C x4  
E x4



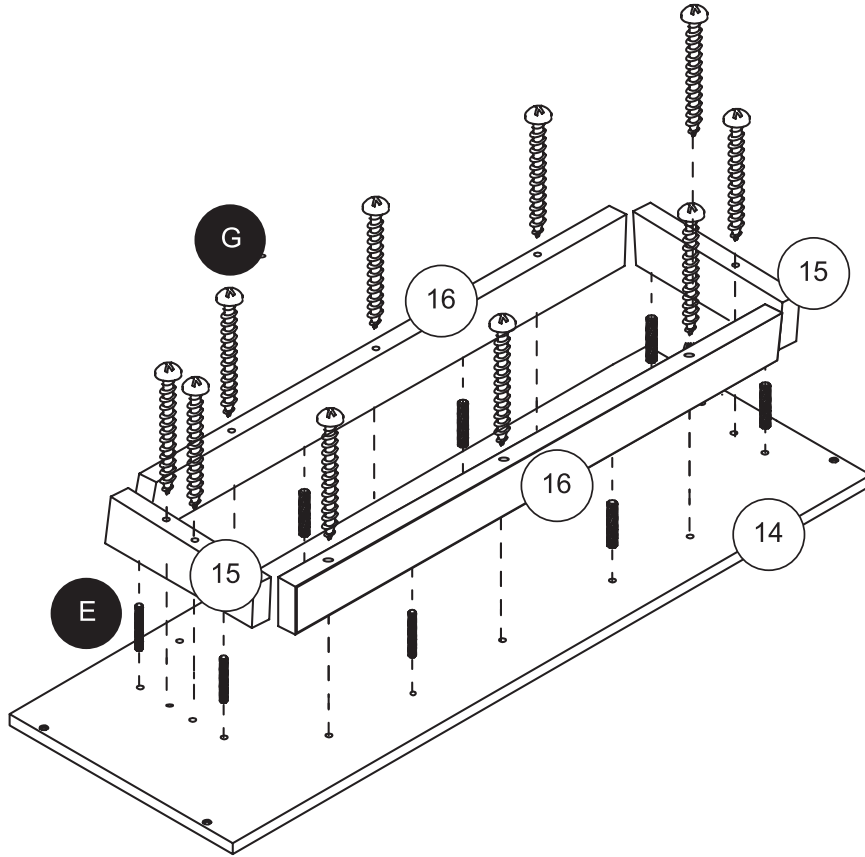
**10**

E x6  
Q x12  
R x12



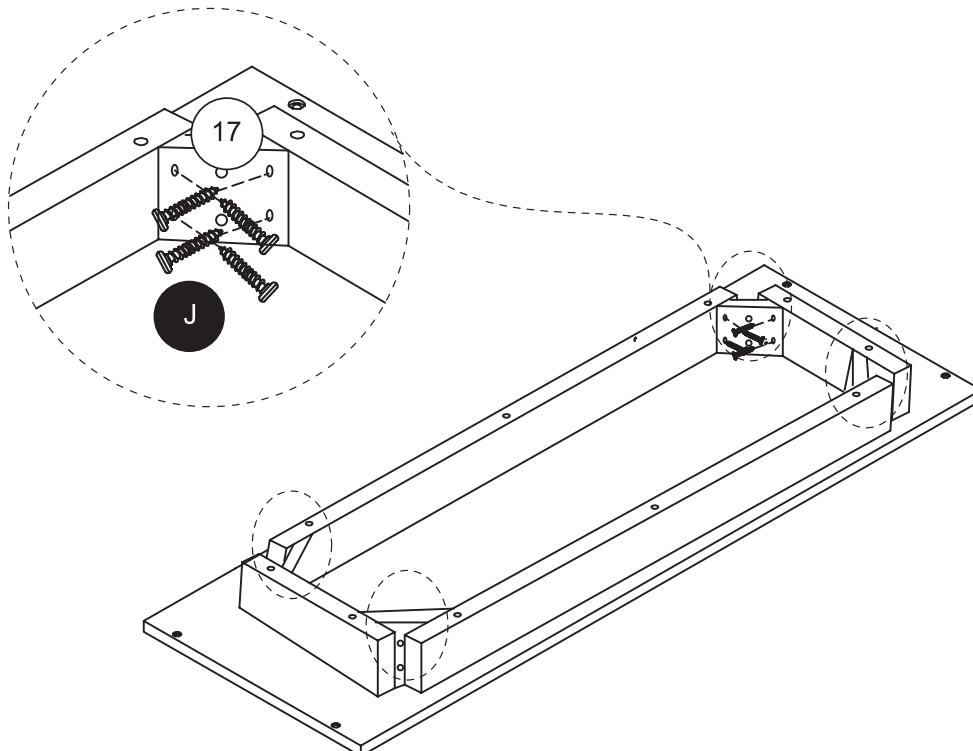
# 11

E x8  
G x10



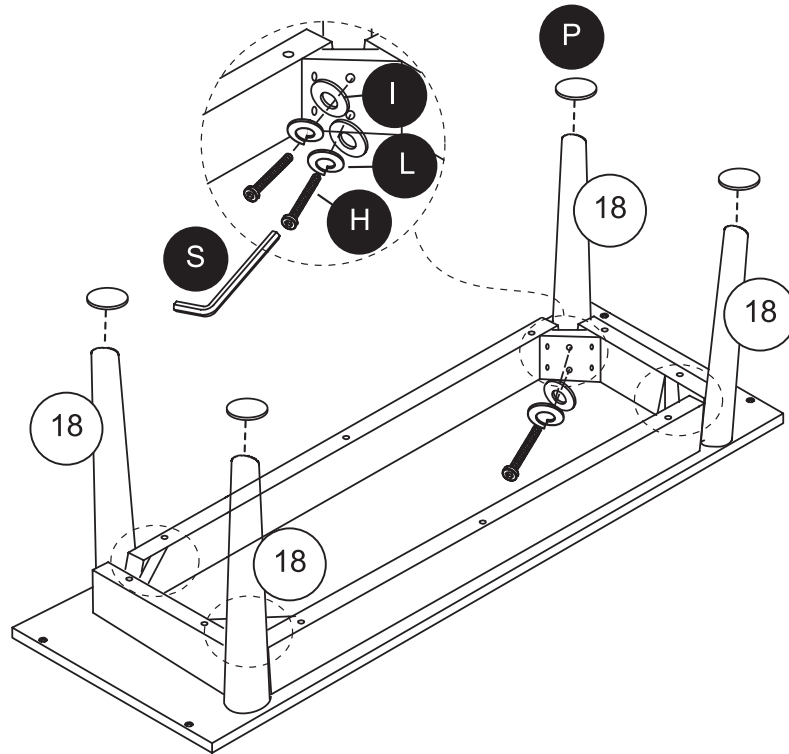
# 12

J x16



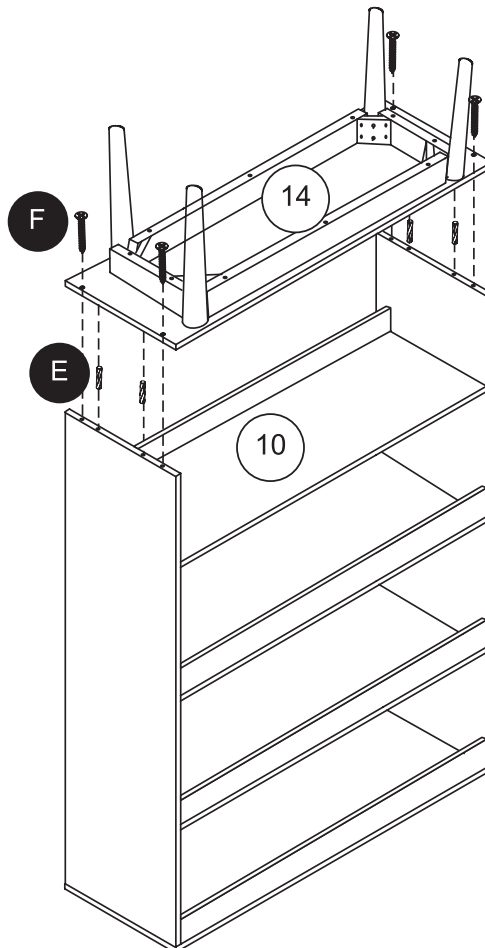
# 13

H x8  
I x8  
L x8  
P x4  
S x1

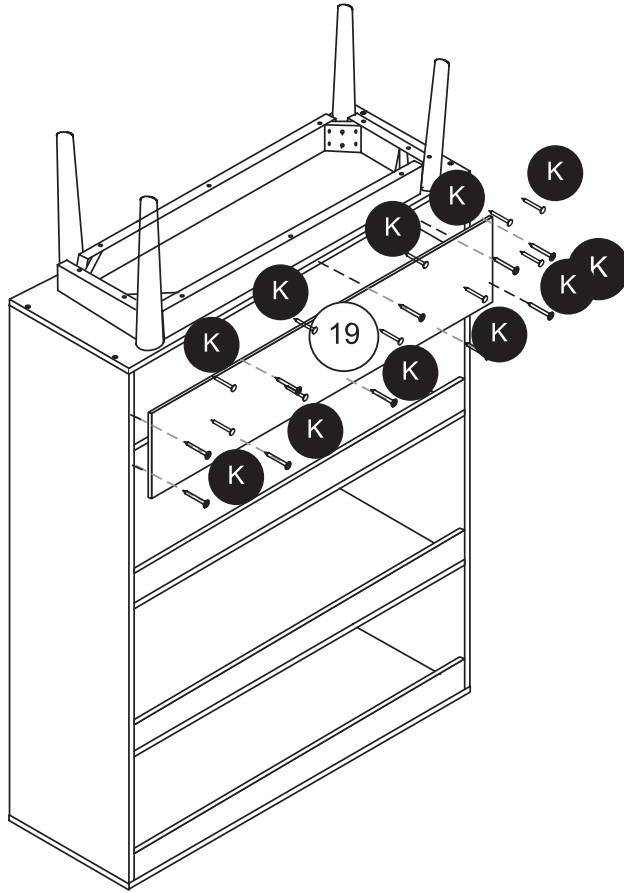


# 14

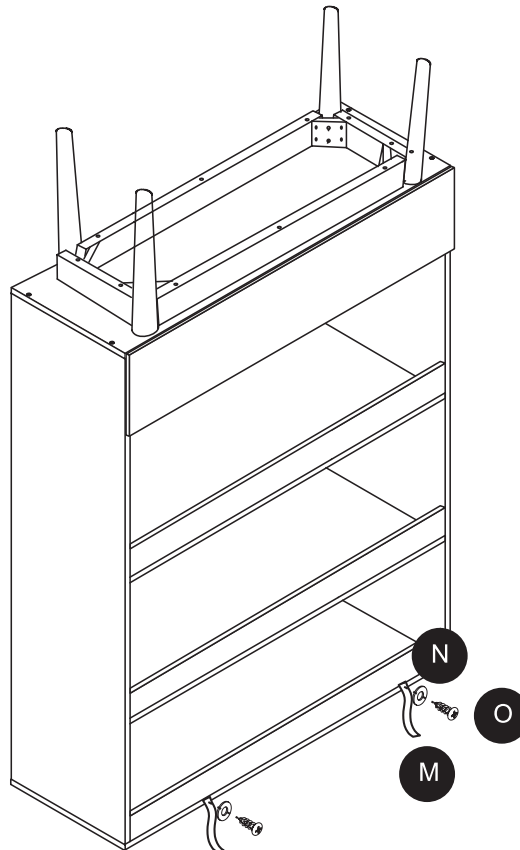
E x4  
F x4



**15**  
K x10

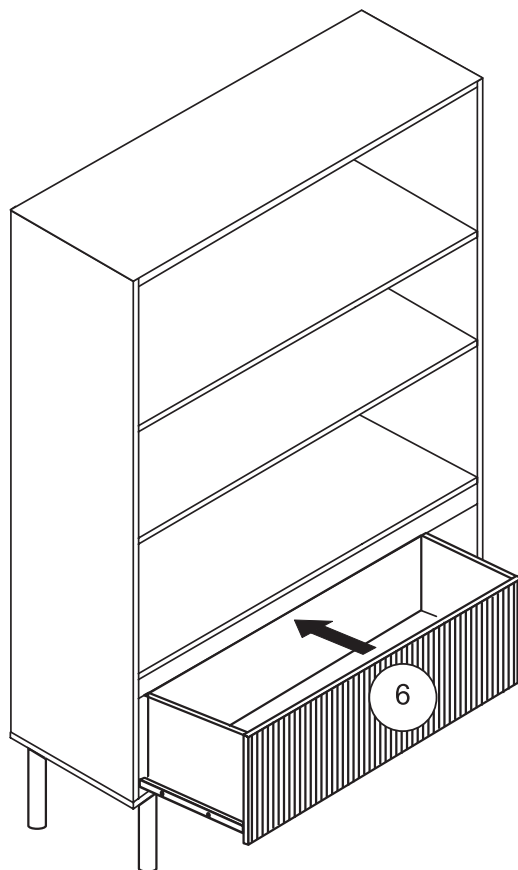


**16**  
M x2  
N x2  
O x2



17

180°



18

F x2  
N x2  
T x2

