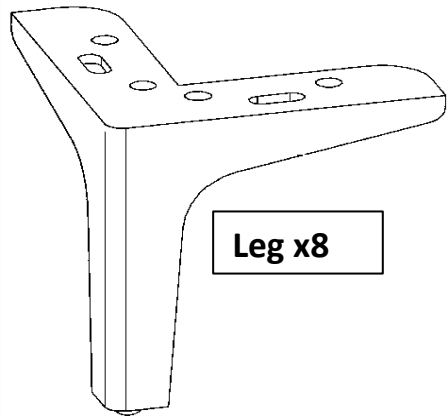
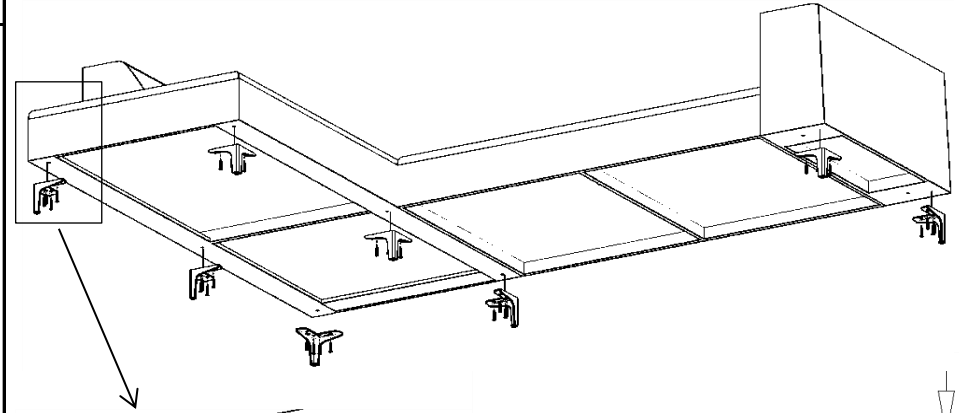
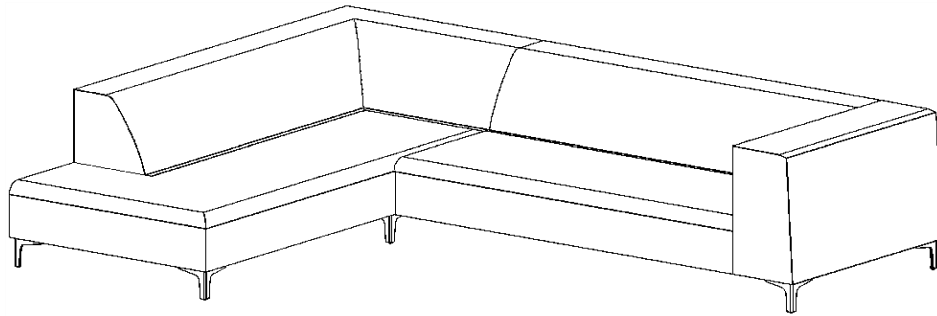


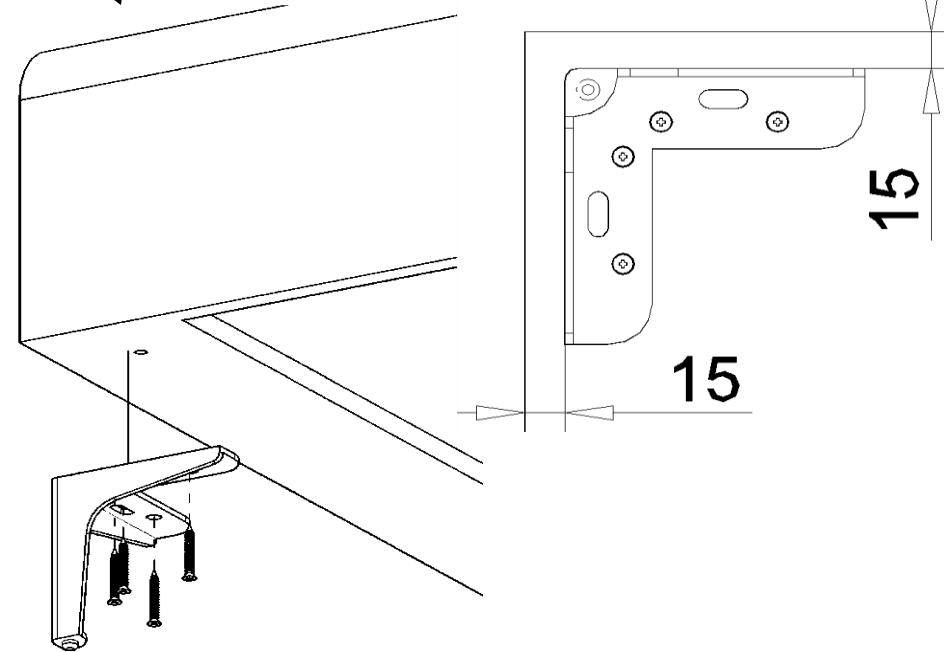
Open corner / assembly instruction



Leg x8



(5x30) x32



15

15