



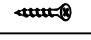
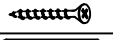





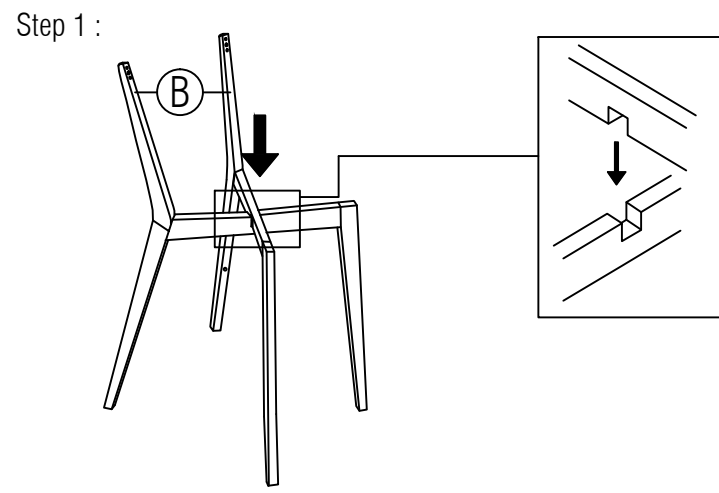
Read this instruction carefully. See hardware and furniture part list for guidance. Be sure all part is complete, before you assemble. Place all wooden furniture part on a clean and flat soft surface to prevent from being scratched. Follow the figure to start assembling.

- CAUTIONS :**
1. Do not FULLY-TIGHTEN the nut or nut bolt until all nut or bolt is ready assembled.
 2. Do not OVER-TIGHTEN the nut or nut bolt to avoid causing damages to the thread.
 3. Keep all hardware part out of reach of children.

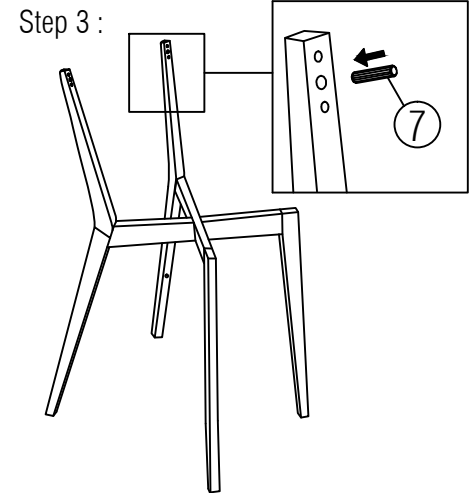
*****PLEASE ASSEMBLE BY SET BASIS.
(I with I / II with II)**

PART LIST			HARWARE LIST		
ITEM	DESCRIPTION	QTY	ITEM	DESCRIPTION	QTY
A	CAP REAR	1 PC	1	JCBC SCREW M6 x 50MM 	4 PCS
B	SIDE PANEL (L & R)	2 PCS	2	JCBC SCREW M6 x 30MM 	4 PCS
C	WOODEN SEAT	1 PC	3	SPRING WASHER 1/4" 	4 PCS
D	WOODEN BLOCK	2 PCS	4	ALLEN KEY (M4 BALL SHAPE)LONG 	1 PC
			5	CSK SCREW #8 x 25MM 	12 PCS
			6	CSK SCREW #8 x 32MM 	1 PC
9	METAL FRAME 	1 PC	7	WOOD DOWEL Ø8 x 20MM 	2 PCS
			8	WOOD BUTTON Ø10.5 x 9mm 	4 PCS

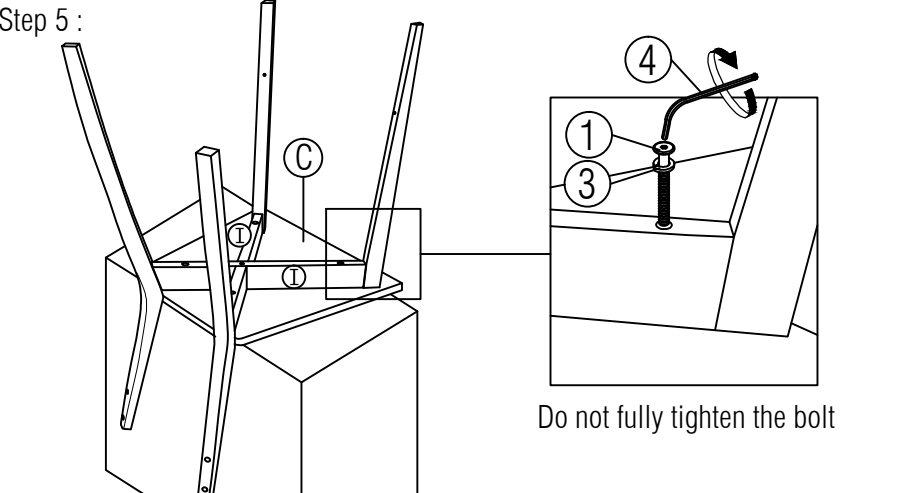
Step 1 :



Step 3 :

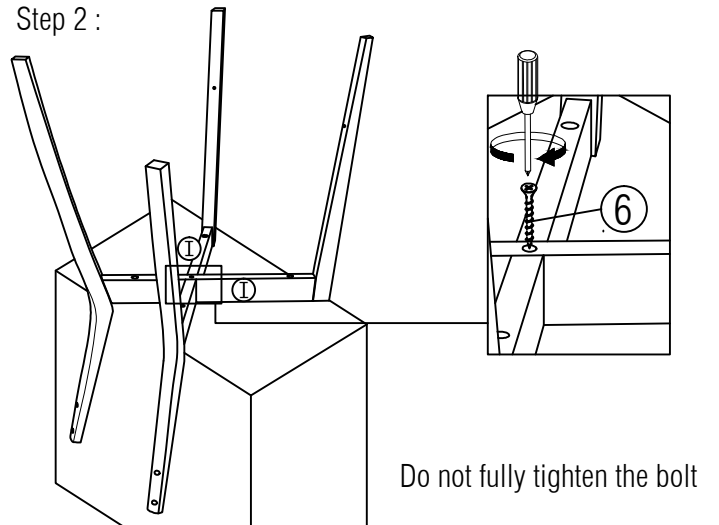


Step 5 :



Do not fully tighten the bolt

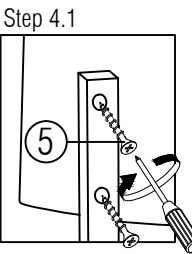
Step 2 :



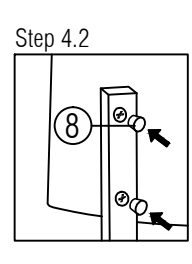
Do not fully tighten the bolt

Step 4 :

Step 4.1

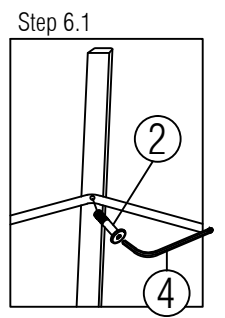


Step 4.2

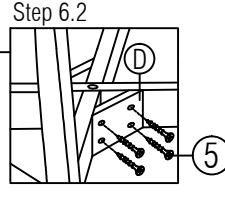


Step 6 :

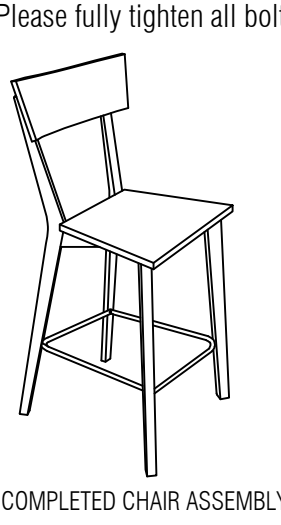
Step 6.1



Step 6.2



Please fully tighten all bolt



COMPLETED CHAIR ASSEMBLY